



# FITTINGS Series B

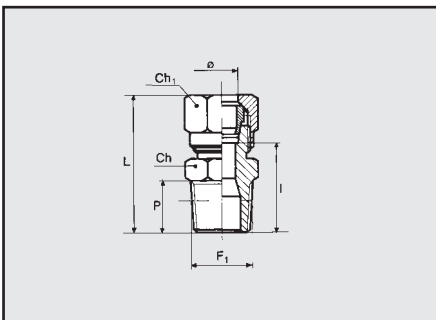
## BICONICAL FITTINGS

- Body: OT58 brass
- Maximum pressure 870 psi, 6000 kPa 60 bar



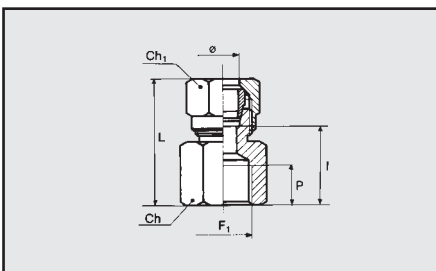
## OVERALL DIMENSIONS AND ORDERING CODES

### STRAIGHT, MALE CONICAL (B1)



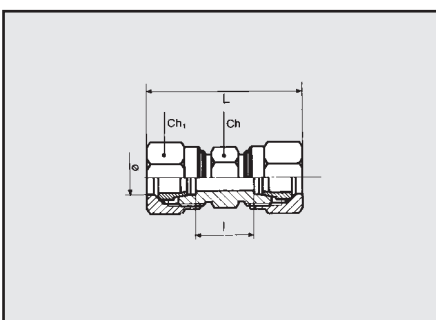
| Code    | Ref. | Ø     | F1  | Ch | Ch1 | P    | L    | I    |
|---------|------|-------|-----|----|-----|------|------|------|
| 2201001 | B1   | 4/2   | 1/8 | 10 | 10  | 8.0  | 27.5 | 16.0 |
| 2201002 | B1   | 6/4   | 1/8 | 12 | 12  | 8.0  | 28.0 | 14.5 |
| 2201003 | B1   | 6/4   | 1/4 | 14 | 12  | 11.0 | 31.0 | 17.5 |
| 2201004 | B1   | 8/6   | 1/8 | 12 | 14  | 8.0  | 30.0 | 16.5 |
| 2201005 | B1   | 8/6   | 1/4 | 14 | 14  | 11.0 | 33.0 | 19.5 |
| 2201006 | B1   | 8/6   | 3/8 | 17 | 14  | 11.5 | 33.5 | 20.0 |
| 2201007 | B1   | 10/8  | 1/4 | 17 | 19  | 11.0 | 38.5 | 20.0 |
| 2201008 | B1   | 10/8  | 3/8 | 17 | 19  | 11.5 | 39.0 | 20.5 |
| 2201009 | B1   | 10/8  | 1/2 | 22 | 19  | 14.0 | 42.5 | 24.0 |
| 2201010 | B1   | 12/10 | 3/8 | 19 | 22  | 11.5 | 38.5 | 20.5 |
| 2201011 | B1   | 12/10 | 1/2 | 22 | 22  | 14.0 | 42.0 | 24.0 |
| 2201012 | B1   | 15/12 | 1/2 | 22 | 27  | 14.0 | 43.5 | 25.0 |

### STRAIGHT, FEMALE (B2)



| Code    | Ref. | Ø    | F1  | Ch | Ch1 | P  | L    | I    |
|---------|------|------|-----|----|-----|----|------|------|
| 2202001 | B2   | 6/4  | 1/8 | 14 | 12  | 7  | 28.5 | 15.0 |
| 2202002 | B2   | 6/4  | 1/4 | 17 | 12  | 8  | 31.5 | 18.0 |
| 2202003 | B2   | 8/6  | 1/8 | 14 | 14  | 7  | 29.5 | 16.0 |
| 2202004 | B2   | 8/6  | 1/4 | 17 | 14  | 8  | 32.0 | 18.5 |
| 2202005 | B2   | 8/6  | 3/8 | 22 | 14  | 10 | 36.0 | 22.5 |
| 2202006 | B2   | 10/8 | 1/4 | 17 | 19  | 8  | 37.5 | 19.0 |
| 2202007 | B2   | 10/8 | 3/8 | 22 | 19  | 10 | 41.0 | 22.5 |

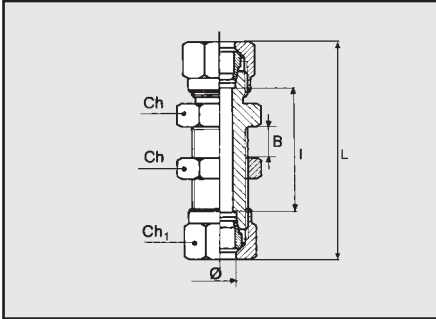
### STRAIGHT, CONNECTOR (B3)



| Code    | Ref. | Ø     | Ch | Ch1 | L  | I    |
|---------|------|-------|----|-----|----|------|
| 2203001 | B3   | 4/2   | 10 | 10  | 35 | 12.0 |
| 2203002 | B3   | 6/4   | 12 | 12  | 36 | 9.0  |
| 2203003 | B3   | 8/6   | 14 | 14  | 39 | 12.0 |
| 2203004 | B3   | 10/8  | 17 | 19  | 50 | 13.0 |
| 2203005 | B3   | 12/10 | 19 | 22  | 50 | 14.0 |
| 2203006 | B3   | 15/12 | 24 | 27  | 53 | 16.0 |

### BULKHEAD CONNECTOR (B4)

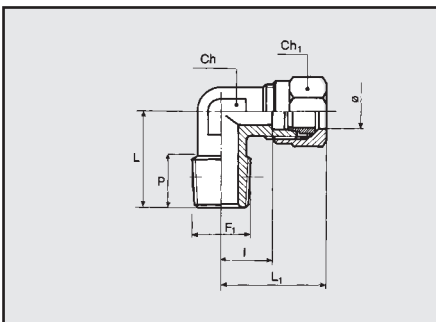
Code Ref. Ø Ch Ch1 L I



|         |    |       |    |    |      |      |
|---------|----|-------|----|----|------|------|
| 2204001 | B4 | 6/4   | 14 | 12 | 53.0 | 26   |
| 2204002 | B4 | 8/6   | 16 | 14 | 56.0 | 29   |
| 2204003 | B4 | 10/8  | 19 | 19 | 66.5 | 29.5 |
| 2204004 | B4 | 12/10 | 22 | 22 | 67.0 | 31   |
| 2204005 | B4 | 15/12 | 25 | 27 | 73.5 | 36.5 |

### ELBOW, MALE (B5)

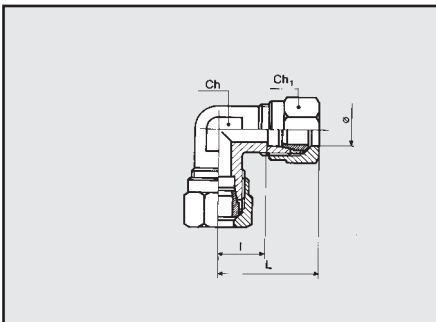
Code Ref. Ø F1 Ch Ch1 P L L1 I



|         |    |       |     |    |    |      |      |      |      |
|---------|----|-------|-----|----|----|------|------|------|------|
| 2205001 | B5 | 4/2   | 1/8 | 9  | 10 | 8.0  | 16.0 | 21.5 | 10.0 |
| 2205002 | B5 | 6/4   | 1/8 | 9  | 12 | 8.0  | 16.0 | 22.0 | 8.5  |
| 2205003 | B5 | 6/4   | 1/4 | 11 | 12 | 11.0 | 20.0 | 23.5 | 10.0 |
| 2205004 | B5 | 8/6   | 1/8 | 11 | 14 | 8.0  | 17.0 | 24.0 | 10.5 |
| 2205005 | B5 | 8/6   | 1/4 | 11 | 14 | 11.0 | 20.0 | 24.0 | 10.5 |
| 2205006 | B5 | 8/6   | 3/8 | 13 | 14 | 12.0 | 23.5 | 27.0 | 13.5 |
| 2205007 | B5 | 10/8  | 1/4 | 13 | 19 | 11.0 | 22.5 | 32.0 | 13.5 |
| 2205008 | B5 | 10/8  | 3/8 | 13 | 19 | 12.0 | 23.5 | 32.0 | 13.5 |
| 2205009 | B5 | 10/8  | 1/2 | 20 | 19 | 13.0 | 30.0 | 39.0 | 20.5 |
| 2205010 | B5 | 12/10 | 3/8 | 15 | 22 | 11.5 | 24.0 | 33.5 | 15.5 |
| 2205011 | B5 | 12/10 | 1/2 | 20 | 22 | 13.0 | 30.0 | 38.0 | 20.0 |
| 2205012 | B5 | 15/12 | 1/2 | 20 | 27 | 13.0 | 30.0 | 38.5 | 20.0 |

### ELBOW, FEMALE (B6)

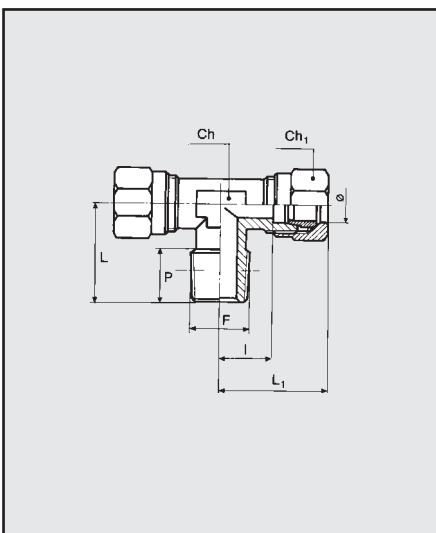
Code Ref. Ø Ch Ch1 L I



|         |    |       |    |    |      |      |
|---------|----|-------|----|----|------|------|
| 2206001 | B6 | 4/2   | 9  | 10 | 21.5 | 10.0 |
| 2206002 | B6 | 6/4   | 9  | 12 | 22.0 | 8.5  |
| 2206003 | B6 | 8/6   | 11 | 14 | 24.0 | 10.5 |
| 2206004 | B6 | 10/8  | 13 | 19 | 32.0 | 13.5 |
| 2206005 | B6 | 12/10 | 15 | 22 | 33.5 | 15.5 |
| 2206006 | B6 | 15/12 | 20 | 27 | 38.5 | 20.0 |

### TEE, CENTRAL MALE (B7)

Code Ref. Ø F Ch Ch1 P L L1 I

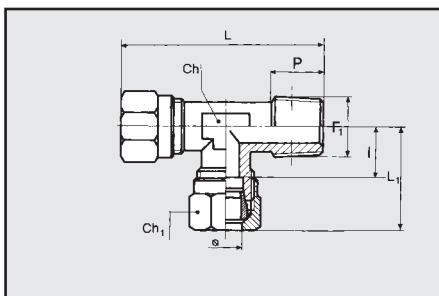


|         |    |       |     |    |    |      |      |      |      |
|---------|----|-------|-----|----|----|------|------|------|------|
| 2207001 | B7 | 4/2   | 1/8 | 9  | 10 | 8.0  | 16.0 | 21.5 | 10.0 |
| 2207002 | B7 | 6/4   | 1/8 | 9  | 12 | 8.0  | 16.0 | 22.0 | 8.5  |
| 2207003 | B7 | 6/4   | 1/4 | 11 | 12 | 11.0 | 20.0 | 23.5 | 10.0 |
| 2207004 | B7 | 8/6   | 1/8 | 11 | 14 | 8.0  | 17.0 | 24.0 | 10.5 |
| 2207005 | B7 | 8/6   | 1/4 | 11 | 14 | 11.0 | 20.0 | 24.0 | 10.5 |
| 2207006 | B7 | 8/6   | 3/8 | 13 | 14 | 12.0 | 23.5 | 27.0 | 13.5 |
| 2207007 | B7 | 10/8  | 1/4 | 13 | 19 | 11.0 | 22.5 | 32.0 | 13.5 |
| 2207008 | B7 | 10/8  | 3/8 | 13 | 19 | 12.0 | 23.5 | 32.0 | 13.5 |
| 2207010 | B7 | 12/10 | 3/8 | 15 | 22 | 11.5 | 24.0 | 33.5 | 15.5 |
| 2207011 | B7 | 12/10 | 1/2 | 20 | 22 | 13.0 | 30.0 | 38.0 | 20.0 |
| 2207012 | B7 | 15/12 | 1/2 | 20 | 27 | 13.0 | 30.0 | 38.5 | 20.0 |



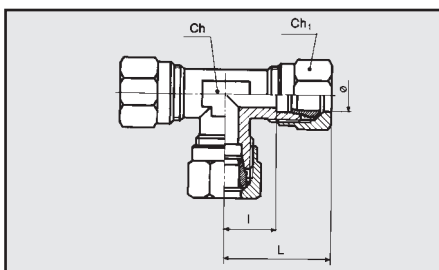
### TEE, LATERAL MALE (B8)

| Code    | Ref. | Ø     | F1  | Ch | Ch1 | P    | L    | L1   | I    |
|---------|------|-------|-----|----|-----|------|------|------|------|
| 2208000 | B8   | 4/2   | 1/8 | 9  | 10  | 8.0  | 37.5 | 21.5 | 10.0 |
| 2208001 | B8   | 6/4   | 1/8 | 9  | 12  | 8.0  | 38.5 | 22.0 | 8.5  |
| 2208002 | B8   | 6/4   | 1/4 | 11 | 12  | 11.0 | 43.5 | 23.5 | 10.0 |
| 2208003 | B8   | 8/6   | 1/8 | 11 | 14  | 8.0  | 41.0 | 24.0 | 10.5 |
| 2208004 | B8   | 8/6   | 1/4 | 11 | 14  | 11.0 | 44.0 | 24.0 | 10.5 |
| 2208005 | B8   | 8/6   | 3/8 | 13 | 14  | 12.0 | 50.5 | 27.0 | 13.5 |
| 2208006 | B8   | 10/8  | 1/4 | 13 | 19  | 11.0 | 54.5 | 32.0 | 13.5 |
| 2208007 | B8   | 10/8  | 3/8 | 13 | 19  | 12.0 | 55.5 | 32.0 | 13.5 |
| 2208009 | B8   | 12/10 | 3/8 | 15 | 22  | 11.5 | 57.5 | 33.5 | 15.5 |
| 2208010 | B8   | 12/10 | 1/2 | 20 | 22  | 13.0 | 68.0 | 38.0 | 20.0 |
| 2208011 | B8   | 15/12 | 1/2 | 20 | 27  | 13.0 | 68.5 | 38.5 | 20.0 |



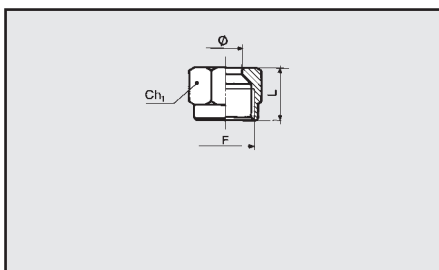
### TEE, MALE (B9)

| Code    | Ref. | Ø     | Ch | Ch1 | L    | I    |
|---------|------|-------|----|-----|------|------|
| 2209001 | B9   | 4/2   | 9  | 10  | 21.5 | 10.0 |
| 2209002 | B9   | 6/4   | 9  | 12  | 22.0 | 8.5  |
| 2209003 | B9   | 8/6   | 11 | 14  | 24.0 | 10.5 |
| 2209004 | B9   | 10/8  | 13 | 19  | 32.0 | 13.5 |
| 2209005 | B9   | 12/10 | 15 | 22  | 33.5 | 15.5 |
| 2209006 | B9   | 15/12 | 20 | 27  | 38.5 | 20.0 |



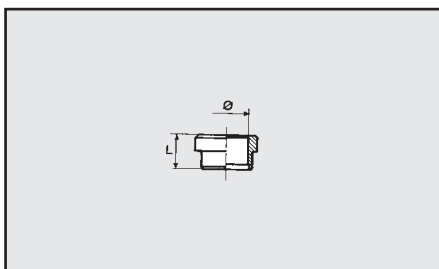
### NUT (B10)

| Code    | Ref. | Ø     | Ch1 | L    | F       |
|---------|------|-------|-----|------|---------|
| 2210001 | B10  | 4/2   | 10  | 11.0 | M8x1    |
| 2210002 | B10  | 6/4   | 12  | 11.5 | M10x1   |
| 2210003 | B10  | 8/6   | 14  | 13.0 | M12x1   |
| 2210004 | B10  | 10/8  | 19  | 15.5 | M16x1.5 |
| 2210005 | B10  | 12/10 | 22  | 15.5 | M18x1.5 |
| 2210006 | B10  | 15/12 | 27  | 17.0 | M22x1.5 |



### OLIVE (B11)

| Code    | Ref. | Ø     | L  |
|---------|------|-------|----|
| 2211001 | B11  | 4/2   | 6  |
| 2211002 | B11  | 6/4   | 7  |
| 2211003 | B11  | 8/6   | 7  |
| 2211004 | B11  | 10/8  | 10 |
| 2211005 | B11  | 12/10 | 10 |
| 2211006 | B11  | 15/12 | 10 |



### INTERNAL BUSH (B12)

| Code    | Ref. | Ø     | J  | L    |
|---------|------|-------|----|------|
| 2212001 | B12  | 6/4   | 3  | 12.0 |
| 2212002 | B12  | 8/6   | 5  | 14.0 |
| 2212003 | B12  | 10/8  | 7  | 15.0 |
| 2212004 | B12  | 12/10 | 9  | 16.0 |
| 2212005 | B12  | 15/12 | 11 | 17.0 |

