

# FITTINGS Series D

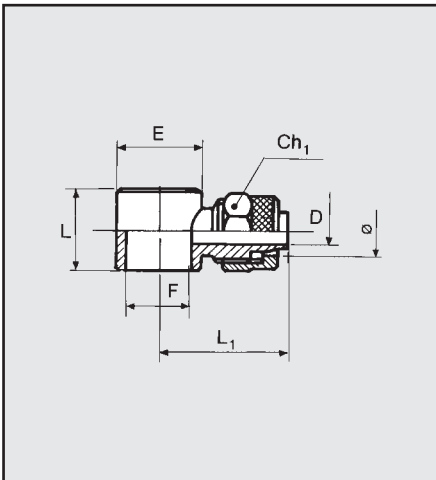
## ADJUSTABLE PUSH-IN FITTINGS

- Body: OT58 brass
- Maximum pressure 261 psi, 1800 kPa 18 bar



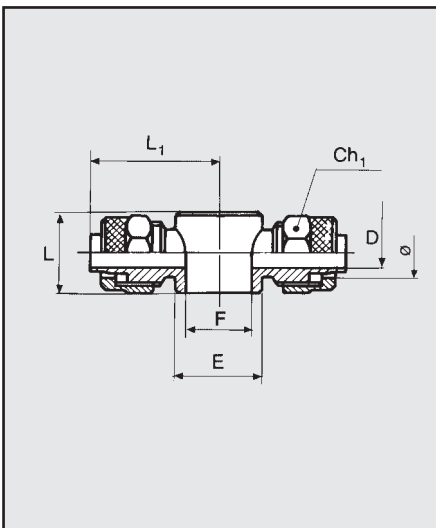
## OVERALL DIMENSIONS AND ORDERING CODES

### SINGLE BANJO BODY (D5)



Code	Ref.	Ø	F	Ch1	L	L1	D	E
2405000	D5	4/2	M5	9	9.0	20.5	1.5	9.5
2405013	D5	5/3	1/8	9	15.0	24.3	2.0	14.0
2405018	D5	5/3	M5	9	9.0	20.7	2.0	9.5
2405001	D5	6/4	M5	9	9.0	20.5	3.0	9.5
2405002	D5	6/4	1/8	12	15.0	24.5	3.0	14.0
2405003	D5	6/4	1/4	12	17.0	26.5	3.0	18.0
2405005	D5	8/6	1/8	14	15.0	24.0	5.0	14.0
2405006	D5	8/6	1/4	14	17.0	26.0	5.0	18.0
2405007	D5	8/6	3/8	14	20.0	28.5	5.0	21.0
2405009	D5	10/8	1/4	16	17.0	28.0	6.8	18.0
2405010	D5	10/8	3/8	16	20.0	29.0	6.8	21.0
2405011	D5	10/8	1/2	16	24.0	30.5	6.8	26.0
2405012	D5	12/10	1/2	19	24.0	33.5	8.5	26.0
2405017	D5	12/10	3/8	19	20.0	31.0	8.5	21.0

### DOUBLE BANJO BODY (D6)

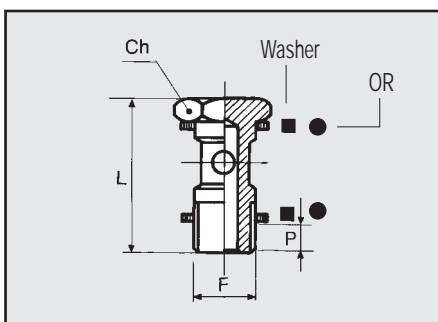


Code	Ref.	Ø	F	Ch1	L	L1	D	E
2406001	D6	6/4	1/8	12	15.0	24.5	3.0	14.0
2406002	D6	6/4	1/4	12	17.0	26.5	3.0	18.0
2406004	D6	8/6	1/8	14	15.0	24.0	5.0	14.0
2406005	D6	8/6	1/4	14	17.0	26.0	5.0	18.0
2406006	D6	8/6	3/8	14	20.0	28.5	5.0	21.0
2406008	D6	10/8	1/4	16	17.0	28.0	6.8	18.0
2406009	D6	10/8	3/8	16	20.0	29.0	6.8	21.0
2406010	D6	10/8	1/2	16	24.0	30.5	6.8	26.0
2406011	D6	12/10	1/2	19	24.0	33.5	8.5	26.0



### BANJO STEM SINGLE (D7)

Code Ref. F Ch L P



Version with washer D11 for models R13-R14-D12-D17-D5-D6

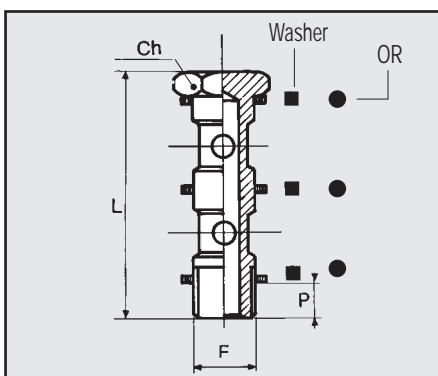
2407001	D7	M5	8	18.0	3
2407002	D7	1/8	14	28.0	6
2407003	D7	1/4	17	33.0	8
2407004	D7	3/8	20	37.0	9
2407005	D7	1/2	27	42.0	10
2407006	D7	M12x1.5	17	33.0	8

Version with O-ring for models R28-R29

2407102	D7 con OR	1/8	14	28.0	6
2407103	D7 con OR	1/4	17	33.0	8
2407104	D7 con OR	3/8	20	37.0	9

### BANJO STEM DOUBLE (D8)

Cod. Ref. F Ch L P



Version with washer D11 for models R13-R14-D5-D6-D12-D17

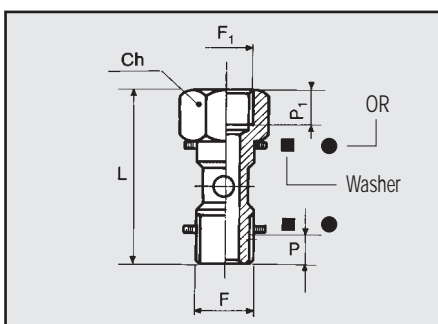
2408001	D8	1/8	14	44.5	6
2408002	D8	1/4	17	51.5	8
2408003	D8	3/8	20	58.5	9
2408004	D8	1/2	27	67.5	10

Version with O-ring for models R28-R29

2408102	D8 con OR	1/8	14	44.5	6
2408103	D8 con OR	1/4	17	51.5	8
2408104	D8 con OR	3/8	20	58.5	9

### BANJO PASSING TROUGH SINGLE (D9)

Cod. Ref. F F1 Ch L P P1



Version with washer D11 for models R13-R14-D5-D6-D12-D17

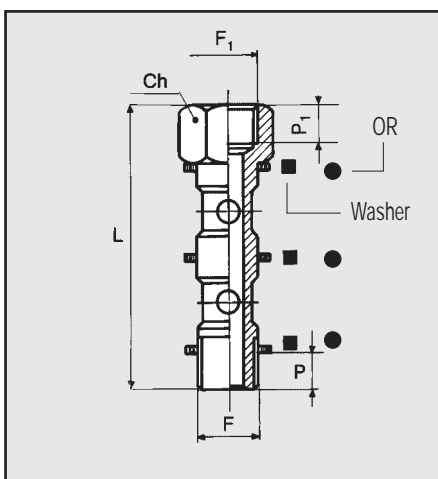
2409001	D9	1/8	1/8	14	36.5	6	7
2409002	D9	1/4	1/4	17	42.5	8	8
2409003	D9	3/8	3/8	20	49.5	9	10
2409004	D9	1/2	1/2	27	56.5	10	11

Version with O-ring for models R28-R29

2409102	D9	1/8	1/8	14	36.5	6	7
2409103	D9	1/4	1/4	17	42.5	8	8
2409104	D9	3/8	3/8	20	49.5	9	10

### BANJO PASSING TROUGH STEM DOUBLE (D10)

Code Ref. F F1 Ch L P P1



Version with washer D11 for models R13-R14-D5-D6-D12-D17

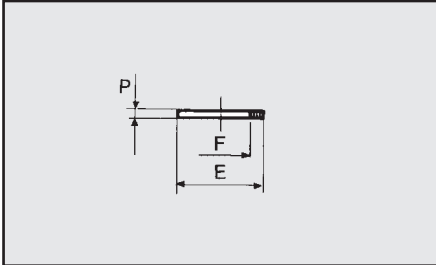
2410001	D10	1/8	1/8	14	53.0	6	7.0
2410002	D10	1/4	1/4	17	61.0	8	8.0
2410003	D10	3/8	3/8	20	71.0	9	10.0
2410004	D10	1/2	1/2	27	82.0	10	11.0

Version with O-ring for models R28-R29

2410102	D10 con OR	1/8	1/8	14	53.0	6	7.0
2410103	D10 con OR	1/4	1/4	17	61.0	8	8.0
2410104	D10 con OR	3/8	3/8	20	71.0	9	10.0

**WASHER (D11)**

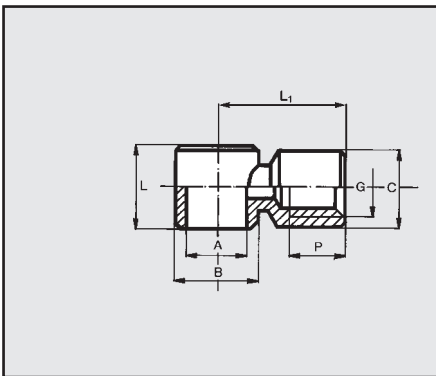
Code Ref. F E P



2411001	D11	M5	9	1.5 (nylon)
2411002	D11	1/8	13.8	1.5
2411003	D11	1/4	17.8	1.5
2411004	D11	3/8	21.0	1.5
2411005	D11	1/2	26.0	1.5

**SINGLE BANJO PASSING TROUGH BODY (D12)**

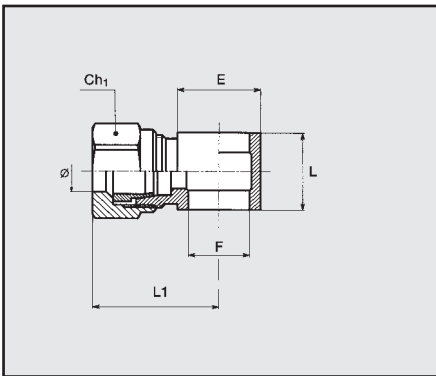
Code Ref. A G B C L L1 P



2412001	D12	1/8	1/8	14	13.5	15	21.5	7
2412002	D12	1/4	1/4	18	17.0	17	25.5	8
2412003	D12	3/8	3/8	21	20.5	20	31.0	10

**SINGLE BANJO WITH "B" INTERFACE (D17)**

Code Ref. Ø F Ch1 L L1 E



2417006	D17	4/2	1/8	10	15	24.5	14
2417002	D17	6/4	1/8	12	15	26.0	14
2417003	D17	6/4	1/4	12	17	28.0	18
2417004	D17	8/6	1/8	14	15	26.0	14
2417005	D17	8/6	1/4	14	17	28.0	18

**NOTES**