

# SERIES F PUSH-IN FITTINGS FOR USE IN THE FOOD INDUSTRY

The materials of which these fittings are made can be used in the food industry. The brass parts are chemically treated with phosphorus nickel-plating according to the NSF®/ANSI 51 standard of the food programme. The seals are made of FDA-approved FKM/FPM. There is no technopolymer in the fitting, which solves the problems of incompatibility with detergents and other chemicals. With these materials, the fittings can be used up to 150°C, which make them suitable for high-temperature applications other than the food industry.

The threads are cylindrical and under-head O-rings provide a pneumatic seal. This avoids the need for sealants (e.g. Teflon®), which could release solid fragments during screwing and unscrewing that would contaminate the environment or the fluid. Our fittings can be screwed and unscrewed any number of times and still remain clean and pneumatically sealed.

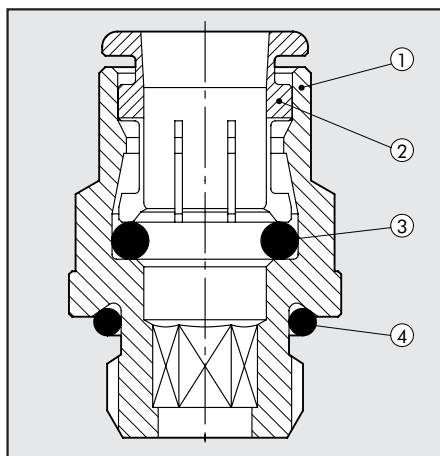
This choice of materials and treatments make these fittings suitable for use in the chemical, pharmaceutical, medical and electronics industry.

A standard range of fittings is available, but other designs can be developed on specific request.



TECHNICAL FEATURES		
Threaded port		M5 - G1/8" - G1/4" - G 3/8" - G1/2"
Pipe diameter	mm	Ø 4 - Ø 6 - Ø 8 - Ø 10
Temperature range	°C	-20 ÷ +150
	°F	-4 ÷ 302
Pressure range		-0,99 bar ÷ 16 bar / -0,099 MPa ÷ 1,6 MPa
Recommended pipe		RilsanPA 11 - Nylon 6 - Polyamide 12 - Polypropylene

## COMPONENTS



- ① Body: chemically nickel-plated brass to NSF®/ANSI 51 standards
- ② Gripper: chemically nickel-plated brass to NSF®/ANSI 51 standards
- ③ Fitting seal: FKM/FPM
- ④ Port seal: FKM/FPM

## ADVANTAGES

### Under-head O-ring

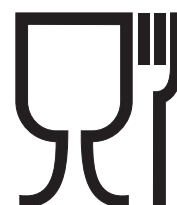
Can be screwed and unscrewed any number of times; no fragments of Teflon® or sealant will contaminate the fluid.

### Corrosion proof

Chemical nickel-plating + FKM/FPM compatible with numerous substances

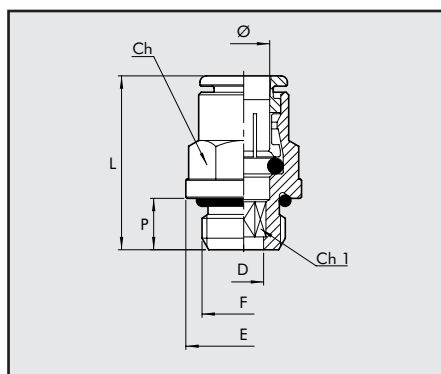
### No plastic parts

No risk of incompatibility



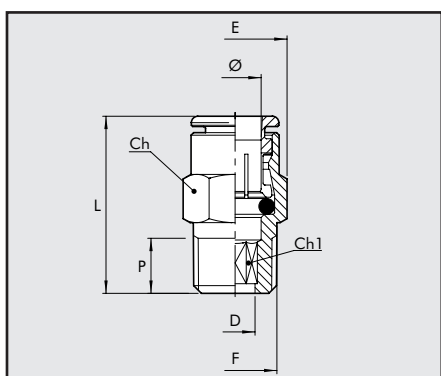


### STRAIGHT, CYLINDRICAL, MALE R1 NSF



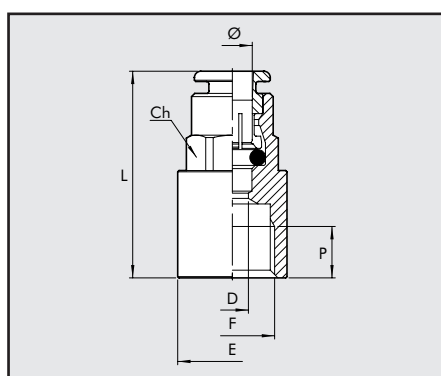
Code	Ref.	Ø	F	Ch	Ch1	P	L	D	E
2F01001	R1 NSF	4	M5	Ø9.9	2.5	4	21.5	2.6	9.9
2F01002	R1 NSF	4	1/8	11	3	6	20.5	3.1	15
2F01003	R1 NSF	4	1/4	12	3	8	22.5	3.1	18
2F01000	R1 NSF	6	M5	Ø12.9	2.5	4	25	2.6	12.9
2F01007	R1 NSF	6	1/8	13	4	6	27.5	4.2	15
2F01008	R1 NSF	6	1/4	13	4	8	26.5	4.2	18
2F01009	R1 NSF	8	1/8	14	5	6	28.5	5.2	15.6
2F01010	R1 NSF	8	1/4	15	6	8	27	6.2	18
2F01011	R1 NSF	8	3/8	15	6	9	28	6.2	21
2F01012	R1 NSF	10	1/4	17	7	8	33.5	7.2	20
2F01013	R1 NSF	10	3/8	17	8	9	30.5	8.2	21
2F01022	R1 NSF	10	1/2	17	10	11	31.5	10.2	26

### STRAIGHT, CONICAL, MALE RL1C NSF



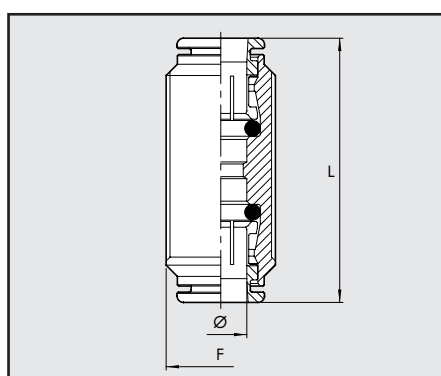
Code	Ref.	Ø	F	Ch	Ch1	P	L	D	E
2F01C02	R1C NSF	4	1/8	10	2.5	6.2	20.5	3.1	11.5
2F01C07	R1C NSF	6	1/8	12	4	6.2	24	4.2	13.8
2F01C08	R1C NSF	6	1/4	14	4	8.5	25.5	4.2	16
2F01C09	R1C NSF	8	1/8	14	5	6.2	27.5	5.2	16
2F01C10	R1C NSF	8	1/4	14	6	8.5	27.5	6.2	16
2F01C11	R1C NSF	8	3/8	17	6	9	27	6.2	19.6
2F01C13	R1C NSF	10	1/4	17	7	8.5	34.5	7.2	19.6
2F01C14	R1C NSF	10	3/8	17	7	9	30.5	7.2	19.6

### STRAIGHT, FEMALE R2 NSF

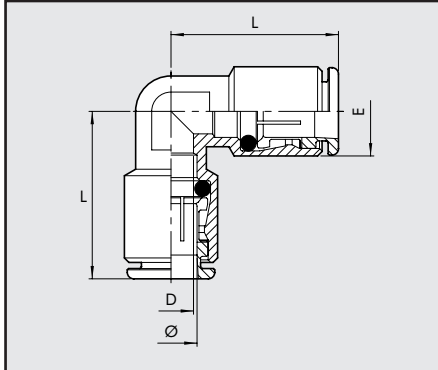


Code	Ref.	Ø	F	Ch	P	L	D	E
2F02001	R2 NSF	4	1/8	10	7	27	3	14
2F02005	R2 NSF	6	1/8	13	7	30	5	15
2F02006	R2 NSF	6	1/4	13	8	32	5	17
2F02007	R2 NSF	8	1/8	14	7	30	7	17
2F02008	R2 NSF	8	1/4	14	8	32	7	17
2F02011	R2 NSF	10	1/4	17	8	35	9	20

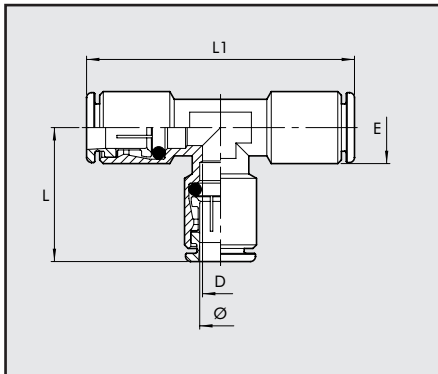
### STRAIGHT, INTERMEDIATE R3 NSF



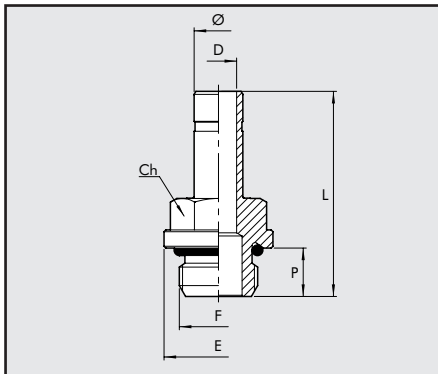
Code	Ref.	Ø	F	L
2F03001	R3 NSF	4	M13X1	33
2F03003	R3 NSF	6	M15X1	40
2F03004	R3 NSF	8	M17X1	41
2F03005	R3 NSF	10	M20X1	47

**ELBOW, INTERMEDIATE R4 NSF**


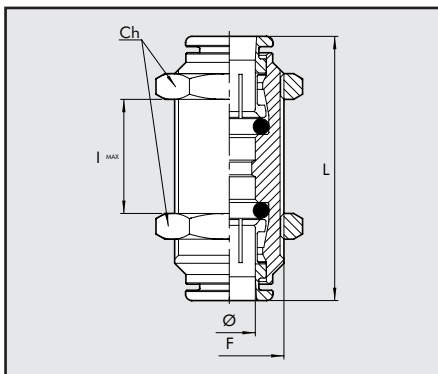
Code	Ref.	Ø	D	E	L
2F04001	R4 NSF	4	2.5	9.5	18
2F04003	R4 NSF	6	4.5	13.5	22
2F04004	R4 NSF	8	7	14	26
2F04005	R4 NSF	10	9	17	30

**TEE, INTERMEDIATE R5 NSF**


Code	Ref.	Ø	L	L1	D	E
2F05001	R5 NSF	4	21	42	3.5	9.5
2F05003	R5 NSF	6	24	48	5	12.5
2F05004	R5 NSF	8	26	52	7	14
2F05005	R5 NSF	10	30	60	9	17

**THREADED ADAPTER R6 NSF**


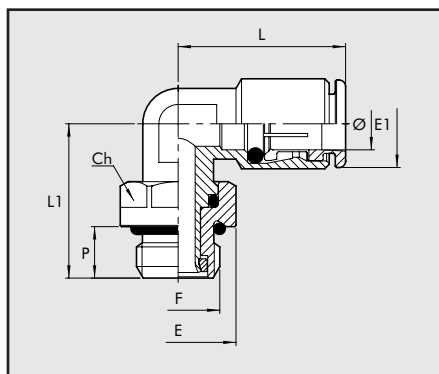
Code	Ref.	Ø	F	Ch	P	L	D	E
2F06001	R6 NSF	4	M5	8	4	25.2	2.5	9
2F06002	R6 NSF	4	1/8	13	6	28.9	2.5	15
2F06003	R6 NSF	4	1/4	14	8	32.4	2.2	18
2F06000	R6 NSF	6	M5	9	4	25.7	2.7	10
2F06007	R6 NSF	6	1/8	13	6	29.4	4	15
2F06008	R6 NSF	6	1/4	14	8	32.9	4	18
2F06009	R6 NSF	8	1/8	13	6	30.6	5.5	15
2F06010	R6 NSF	8	1/4	14	8	34	6	18
2F06011	R6 NSF	8	3/8	17	9	35.4	6	22
2F06012	R6 NSF	10	1/4	14	8	35.6	7.8	18
2F06013	R6 NSF	10	3/8	17	9	37.1	8	22

**STRAIGHT, INTERMEDIATE, BULKHEAD UNIONS R10 NSF**


Code	Ref.	Ø	F	Ch	L	I_max
2F11001	R10 NSF	4	M13x1	16	33	11
2F11003	R10 NSF	6	M15x1	17	40	16
2F11004	R10 NSF	8	M17x1	20	41	19
2F11005	R10 NSF	10	M20x1	24	47	21

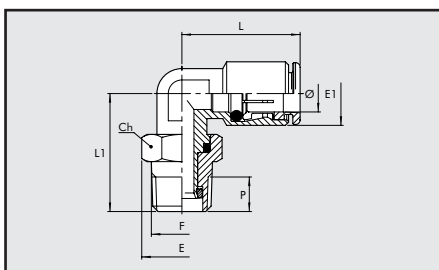


### ROTARY ELBOW, MALE, CYLINDRICAL R31 NSF



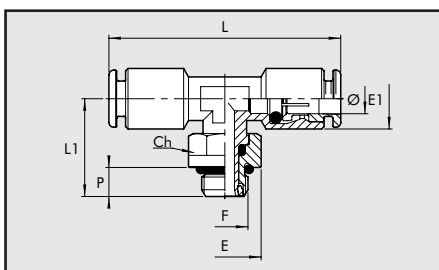
Code	Ref.	∅	F	Ch	E	E1	L	L1	P
2F31001	R31 NSF	4	M5	9	9	10	21	19	4
2F31002	R31 NSF	4	1/8	13	15	10	21	21	6
2F31003	R31 NSF	4	1/4	16	18	10	21	25	8
2F31007	R31 NSF	6	M5	9	8	11.8	24	17.5	4
2F31008	R31 NSF	6	1/8	13	15	12.5	24	21	6
2F31009	R31 NSF	6	1/4	16	18	12.5	25.5	25	8
2F31010	R31 NSF	8	1/8	13	15	14	26	22.5	6
2F31011	R31 NSF	8	1/4	16	18	14	26	25	8
2F31012	R31 NSF	8	3/8	19	22	14	27.5	30.5	9
2F31013	R31 NSF	10	1/4	16	18	16.5	30	27	8
2F31014	R31 NSF	10	3/8	19	22	16.5	30	30.5	9
2F31015	R31 NSF	10	1/2	22	26	16.5	31	32	11

### ROTARY ELBOW, MALE, CONICAL R31C NSF



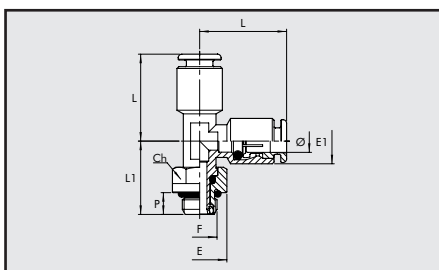
Code	Ref.	∅	F	Ch	E	E1	L	L1	P
2F31C02	R31C NSF	4	1/8	12	13.3	10	21	22	6.2
2F31C03	R31C NSF	4	1/4	16	17.7	10	21	27	8.5
2F31C08	R31C NSF	6	1/8	12	13.3	11.8	24	22	6.2
2F31C09	R31C NSF	6	1/4	16	17.7	12.5	25.5	27	8.5
2F31C10	R31C NSF	8	1/8	12	13.3	14	26	23.5	6.2
2F31C11	R31C NSF	8	1/4	16	17.7	14	26	27	8.5
2F31C12	R31C NSF	8	3/8	19	22	14	27.5	31	9
2F31C13	R31C NSF	10	1/4	16	17.7	16.5	30	29	8.5
2F31C14	R31C NSF	10	3/8	19	22	16.5	30	31	9

### CENTRAL TEE, MALE, CYLINDRICAL, ROTARY R32 NSF



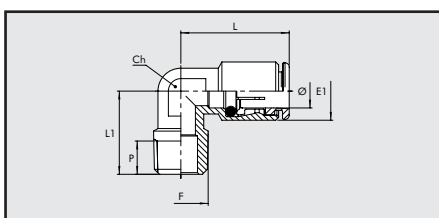
Code	Ref.	∅	F	Ch	E	E1	L	L1	P
2F32002	R32 NSF	4	1/8	13	15	10	41.5	21	6
2F32008	R32 NSF	6	1/8	13	15	12.5	47.5	21	6
2F32009	R32 NSF	6	1/4	16	18	12.5	50.5	25	8
2F32010	R32 NSF	8	1/8	13	15	14	52	22.5	6
2F32011	R32 NSF	8	1/4	16	18	14	52	25	8
2F32012	R32 NSF	8	3/8	19	22	14	56	30.5	9
2F32013	R32 NSF	10	1/4	16	18	16.5	60.5	27	8
2F32014	R32 NSF	10	3/8	19	22	16.5	60.5	30.5	9

### LATERAL TEE, MALE, CYLINDRICAL, ROTARY R38 NSF



Code	Ref.	∅	F	Ch	E	E1	L	L1	P
2F38002	R38 NSF	4	1/8	13	15	9.5	22.5	21	6
2F38008	R38 NSF	6	1/8	13	15	12.5	24.5	21	6
2F38009	R38 NSF	6	1/4	16	18	12.5	26	25	8
2F38010	R38 NSF	8	1/8	13	15	14.5	27.5	22.5	6
2F38011	R38 NSF	8	1/4	16	18	14.5	27.5	25	8
2F38013	R38 NSF	10	1/4	16	18	17	31.5	27	8
2F38014	R38 NSF	10	3/8	19	22	17	31.5	30.5	9

### ELBOW, MALE, CONICAL R39 NSF



Code	Ref.	∅	F	Ch	E1	L	L1	P
2F39C02	R39 NSF	4	1/8	10	9.5	21	16	6.2
2F39C08	R39 NSF	6	1/8	10	11.8	23.5	16	6.2
2F39C09	R39 NSF	6	1/4	10	11.8	24	18.5	8.5
2F39C10	R39 NSF	8	1/8	12	14	26	17	6.2
2F39C11	R39 NSF	8	1/4	12	14	26	20	8.5
2F39C12	R39 NSF	8	3/8	14	14	27.5	22.5	9
2F39C13	R39 NSF	10	1/4	14	17	30.5	22	8.5