

IN-LINE PRESSURE INDICATOR Series LAM L

The LAM L pneumatic light indicator belongs to the LINE ON LINE® family, which means it can be connected to all the other components in series or in parallel.

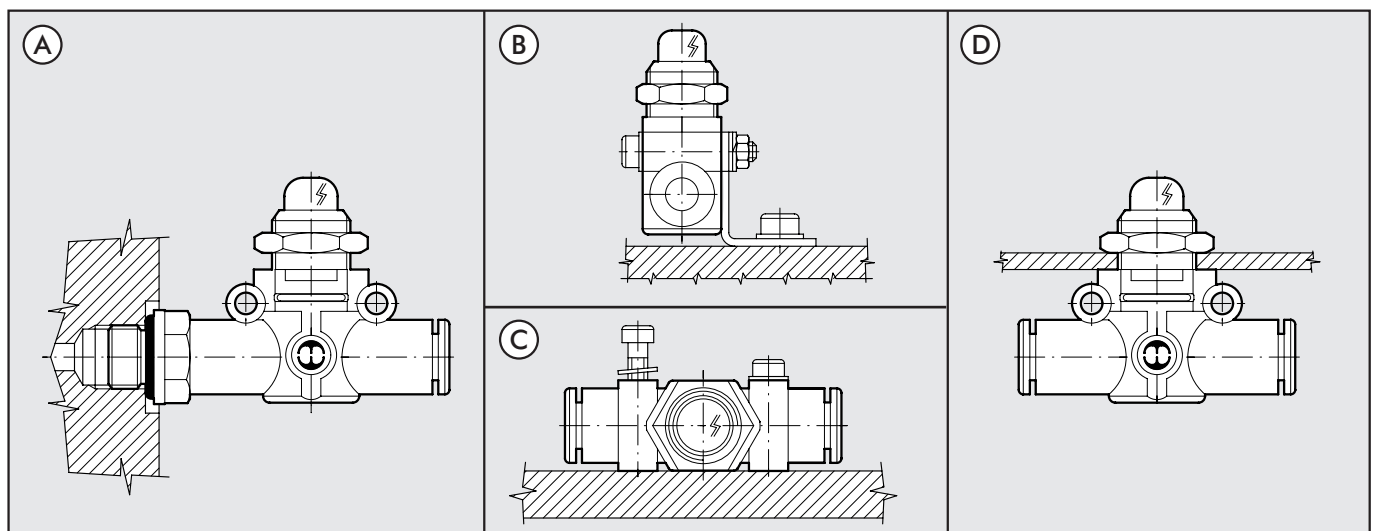
Available in the version for pipe-pipe connection with two FOX push-in fittings, and in the version for thread-pipe connection with a brass nickel-plated male thread and a push-in fitting.

When there is no pressure, the clear technopolymer bell looks empty. When there is pressure, a red signal appears. The clear bell can be cleaned using normal detergents or ethyl alcohol, as the technopolymer used is fully compatible.



TECHNICAL DATA		Ø 6	Ø 8
Operating pressure	MPa	0.2 to 1	
	bar	2 to 10	
Temperature range	psi	29 to 145	
	°C	-20°C to +60°C	
	°F	-4°F to +140°F	
Flow rate at 6.3 bar ΔP1 bar	NI/min	420	800
Colour with pressure		orange - green	
Recommended pipe		Rilsan PA 11 – Nylon 6 – Polyamide 12 – Polypropylene	
Fluid		lubricated or unlubricated filtered compressed air; if used, must be continuous	

ASSEMBLY OPTIONS



How to mount the LAM L:

- Fig. A: With the male threaded port it is possible to mount the LAM L straight onto the female thread.
- Fig. B: Fixing to the plate with the special SQU L bracket.
- Fig. C: There are two robust rings on the plastic body for fixing the LAM L straight onto the wall.
- Fig. D: The ring nut is screwed onto the threaded metal part of the LAM L body for panel mounting.



OVERALL DIMENSIONS AN ORDERING CODES

LAM L PIPE-PIPE		Code	Ref.	Ø	A	B	C	D	E	E1	G	H	I	I1	Ch	Nmax	
	9068016	LAM L 6-6-A	6	49.4	37	14.7	6.4	11.4	10.6	21	M15x1	14.6	20	17	4.5		
	9068216	LAM L 6-6-V															
	9068024	LAM L 8-8-A	8	57.3	41	18.7	9.1	13.8	10.6	26	M15x1	18.7	24	17	4.5		
	9068224	LAM L 8-8-V															
		A = ORANGE V = GREEN															

LAM L THREAD-PIPE		Code	Ref.	F	Ø	P	A	A1	B	C	D	E	E1	E2	G	H	
	9068108	LAM L 1/8-6-A	1/8	6	6	58.5	27.8	37	14.7	6.4	14	11.4	10.6	21	M15x1		
	9068308	LAM L 1/8-6-V															
	9068109	LAM L 1/4-6-A	1/4	6	8	61.5	28.8	37	14.7	6.4	18	11.4	10.6	21	M15x1		
	9068309	LAM L 1/4-6-V															
	9068110	LAM L 1/8-8-A	1/8	8	6	66.2	31.8	41	18.7	9.1	15	13.8	10.6	26	M15x1		
	9068310	LAM L 1/8-8-V															
	9068111	LAM L 1/4-8-A	1/4	8	8	70.6	34.2	41	18.7	9.1	18	13.8	10.6	26	M15x1		
	9068311	LAM L 1/4-8-V															
	9068112	LAM L 3/8-8-A	3/8	8	9	72.2	34.8	41	18.7	9.1	22	13.8	10.6	26	M15x1		
	9068312	LAM L 3/8-8-V															
					I	I1	Ch	Ch1	Nmax								
	9068108	LAM L 1/8-6-A	14.6	20	17	12	4.5										
9068308	LAM L 1/8-6-V																
9068109	LAM L 1/4-6-A	14.6	20	17	14	4.5											
9068309	LAM L 1/4-6-V																
9068110	LAM L 1/8-8-A	18.7	24	17	14	4.5											
9068310	LAM L 1/8-8-V																
9068111	LAM L 1/4-8-A	18.7	24	17	14	4.5											
9068311	LAM L 1/4-8-V																
9068112	LAM L 3/8-8-A	18.7	24	17	17	4.5											
9068312	LAM L 3/8-8-V																
		A = ORANGE V = GREEN															

NOTES