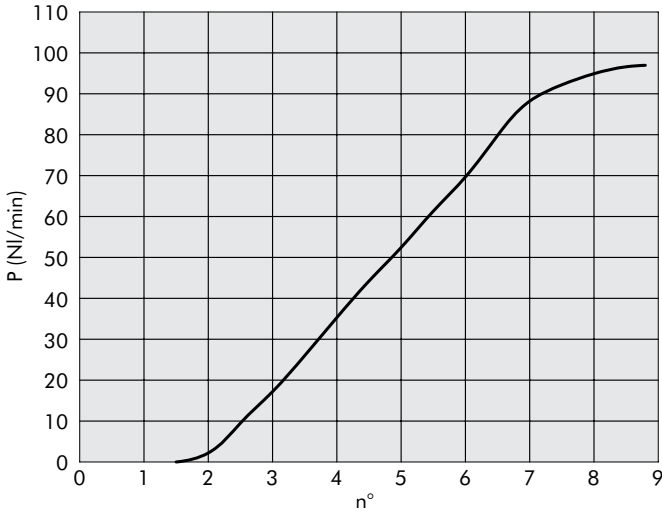


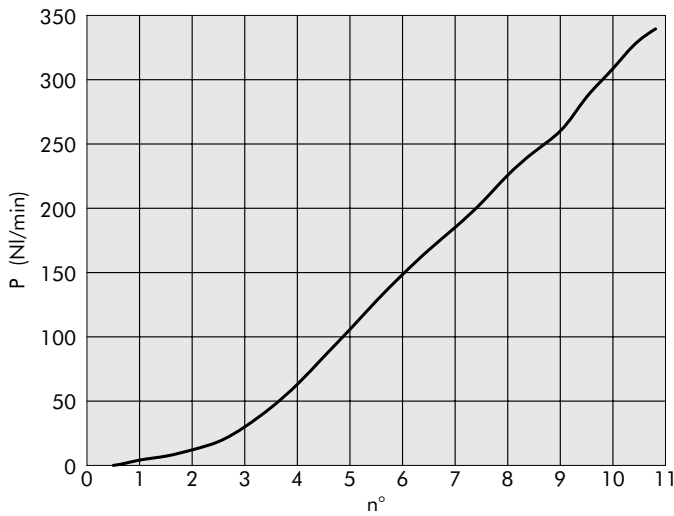


**MRF M5**



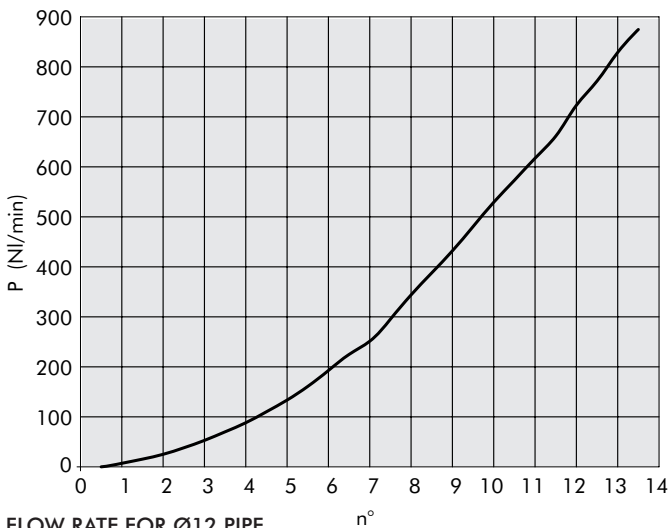
FLOW RATE FOR Ø6 PIPE

**MRF G 1/8"**



FLOW RATE FOR Ø6 PIPE

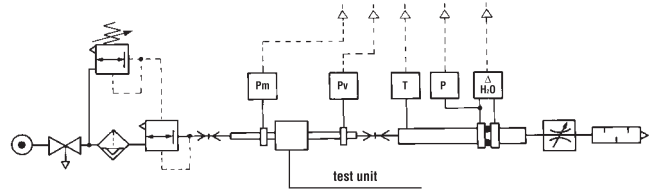
**MRF G 3/8"**



FLOW RATE FOR Ø12 PIPE

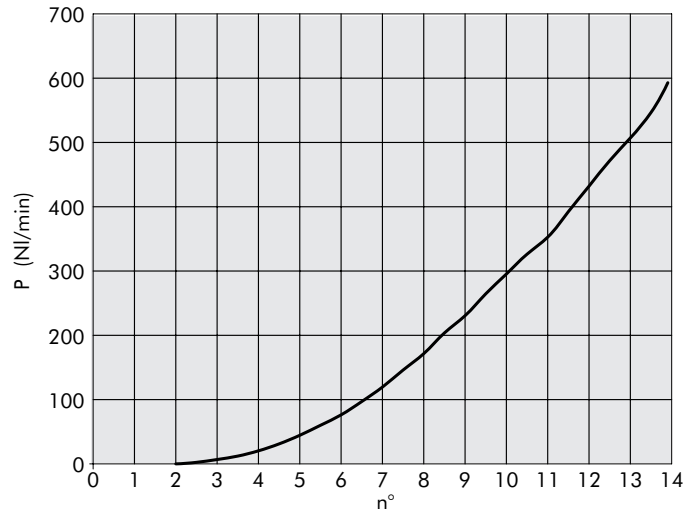


**Department of Mechanics**  
Turin Polytechnic



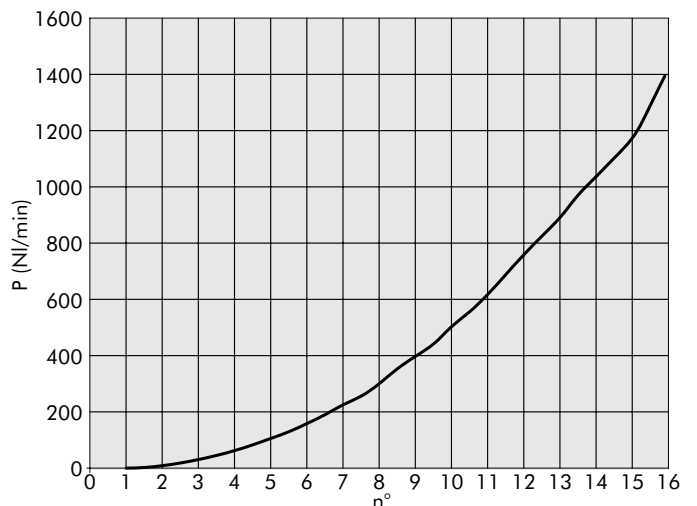
• Flow rate tests carried out by the Department of Mechanics at the Turin Polytechnic using a computerized test station and in compliance with CETOP RP50R recommendations (approved by ISO DIS 6358-2) with ISO 5167 diaphragm gauge.

**MRF G 1/4"**



FLOW RATE FOR Ø10 PIPE

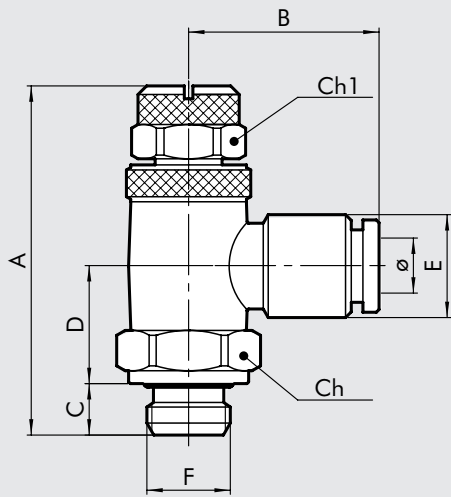
**MRF G 1/2"**



FLOW RATE FOR Ø12 PIPE

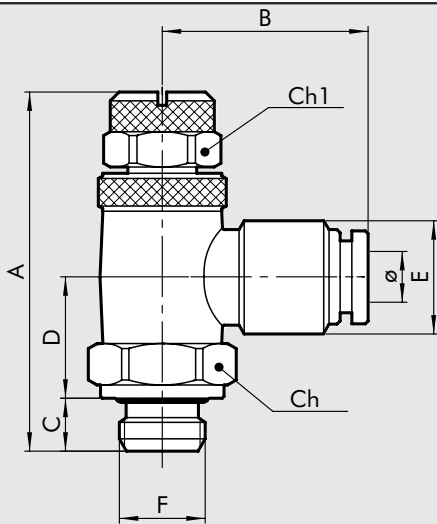


**OVERALL DIMENSIONS: BRASS RING**



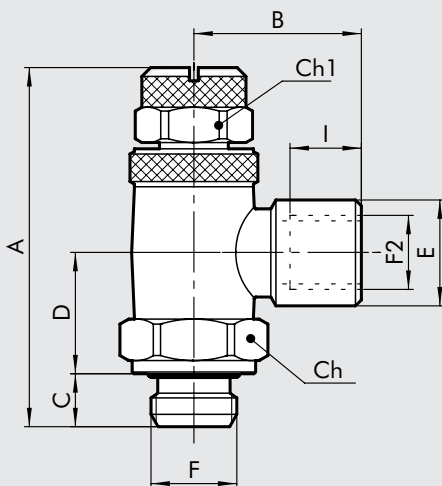
	F	∅	Ch	Ch1	E	B	A	D	C
M5	4		9	9	10.9	23.5	28.2	9.3	4
M5	5		9	9	12	24.5	28.2	9.3	4
M5	6		9	9	13.5	24.5	28.2	9.3	4
G 1/8	4		15	12	11.5	25	42	13.7	6
G 1/8	5		15	12	12.0	25	42	13.7	6
G 1/8	6		15	12	13.5	25	42	13.7	6
G 1/8	8		15	12	15.5	30	42	13.7	6
G 1/4	6		18	12	13.5	27.5	48	16	8
G 1/4	8		18	12	15.5	32	48	16	8
G 1/4	10		18	12	18	34.3	48	16	8
G 1/4	12		18	12	20.2	37.5	48	16	8
G 3/8	10		21	14	18	36.3	53	19	9
G 3/8	12		21	14	20.2	40.5	53	19	9
G 1/2	12		26	17	20.2	40.5	60.5	22	11

**OVERALL DIMENSIONS: TECHNOPOLYMER RING**



	F	∅	Ch	Ch1	E	B	A	D	C
M5	4		9	9	10.9	20	28.2	9.3	4
M5	5		9	9	13.5	21.5	28.2	9.3	4
M5	6		9	9	15	22	28.2	9.3	4
G 1/8	4		15	12	12.5	22.5	42	14.7	6
G 1/8	5		15	12	13.5	23	42	14.7	6
G 1/8	6		15	12	15	22.5	42	14.7	6
G 1/8	8		15	12	16.3	25.5	42	14.7	6
G 1/4	6		18	12	15	24	48	17	8
G 1/4	8		18	12	16.3	27	48	17	8
G 1/4	10		18	12	18.5	31	48	17	8
G 1/4	12		18	12	21	32	48	17	8
G 3/8	10		21	14	18.5	31	53	20	9
G 3/8	12		21	14	21	33	53	20	9
G 1/2	12		26	17	21	35	60.5	22	11

**OVERALL DIMENSIONS: THREADED RING**

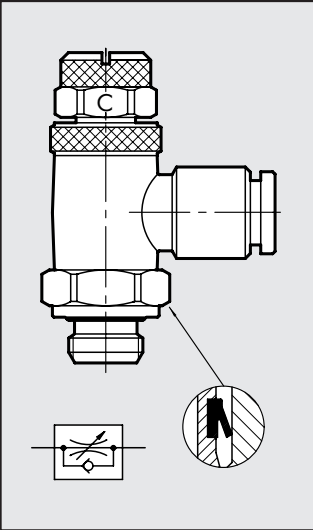


	F	F <sub>2</sub>	Ch	Ch1	E	B	A	D	C	I
G 1/8	G 1/8		15	12	13.3	21.4	42	13.7	6	6.7
G 1/4	G 1/4		18	12	16.7	25.5	48	16	8	8
G 3/8	G 3/8		21	14	20.2	31.5	53	19	9	10

## ORDERING CODES

### MRF/C (BRASS RING)

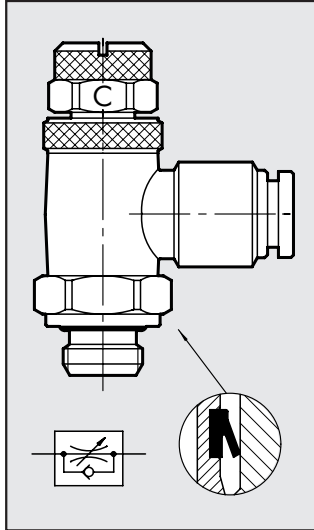
Code Ref.



9031001	MRF/C 4 M5
9031002	MRF/C 4 1/8
9031003	MRF/C 5 M5
9031004	MRF/C 5 1/8
9031005	MRF/C 6 M5
9031006	MRF/C 6 1/8
9031007	MRF/C 6 1/4
9031008	MRF/C 8 1/8
9031009	MRF/C 8 1/4
9031011	MRF/C 10 1/4
9031012	MRF/C 10 3/8
9031014	MRF/C 12 1/4
9031015	MRF/C 12 3/8
9031016	MRF/C 12 1/2

### MRFT/C (TECHNOPOLYMER RING)

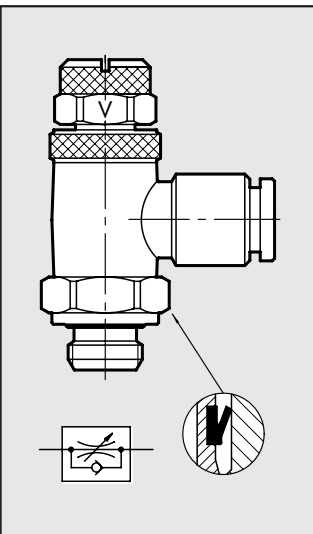
Code Ref.



9021001	MRFT/C 4 M5
9021002	MRFT/C 4 1/8
9021003	MRFT/C 5 M5
9021004	MRFT/C 5 1/8
9021005	MRFT/C 6 M5
9021006	MRFT/C 6 1/8
9021007	MRFT/C 6 1/4
9021008	MRFT/C 8 1/8
9021009	MRFT/C 8 1/4
9021011	MRFT/C 10 1/4
9021012	MRFT/C 10 3/8
9021014	MRFT/C 12 1/4
9021015	MRFT/C 12 3/8
9021016	MRFT/C 12 1/2

### MRF/V (BRASS RING)

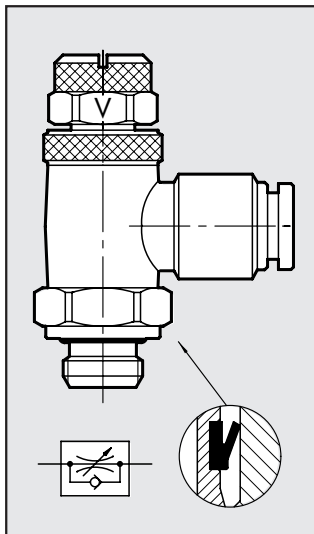
Code Ref.



9031101	MRF/V 4 M5
9031102	MRF/V 4 1/8
9031103	MRF/V 5 M5
9031104	MRF/V 5 1/8
9031105	MRF/V 6 M5
9031106	MRF/V 6 1/8
9031107	MRF/V 6 1/4
9031108	MRF/V 8 1/8
9031109	MRF/V 8 1/4
9031111	MRF/V 10 1/4
9031112	MRF/V 10 3/8
9031114	MRF/V 12 1/4
9031115	MRF/V 12 3/8
9031116	MRF/V 12 1/2

### MRFT/V (TECHNOPOLYMER RING)

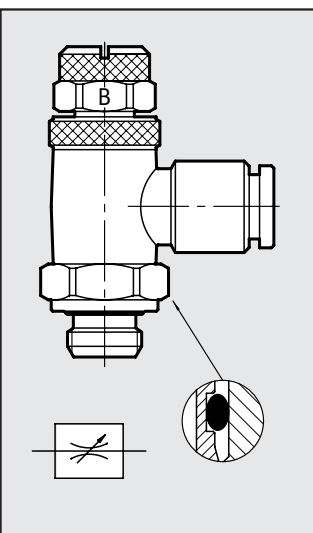
Code Ref.



9021101	MRFT/V 4 M5
9021102	MRFT/V 4 1/8
9021103	MRFT/V 5 M5
9021104	MRFT/V 5 1/8
9021105	MRFT/V 6 M5
9021106	MRFT/V 6 1/8
9021107	MRFT/V 6 1/4
9021108	MRFT/V 8 1/8
9021109	MRFT/V 8 1/4
9021111	MRFT/V 10 1/4
9021112	MRFT/V 10 3/8
9021114	MRFT/V 12 1/4
9021115	MRFT/V 12 3/8
9021116	MRFT/V 12 1/2

### MRF/B (BRASS RING)

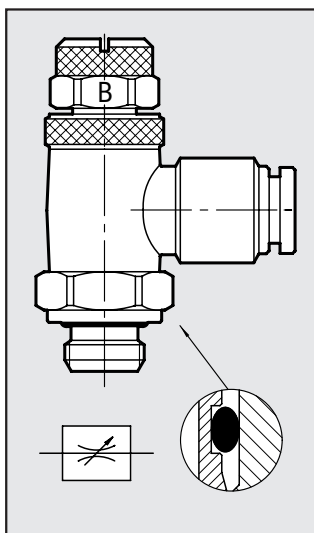
Code Ref.



9031201	MRF/B 4 M5
9031202	MRF/B 4 1/8
9031203	MRF/B 5 M5
9031204	MRF/B 5 1/8
9031205	MRF/B 6 M5
9031206	MRF/B 6 1/8
9031207	MRF/B 6 1/4
9031208	MRF/B 8 1/8
9031209	MRF/B 8 1/4
9031211	MRF/B 10 1/4
9031212	MRF/B 10 3/8
9031214	MRF/B 12 1/4
9031215	MRF/B 12 3/8
9031216	MRF/B 12 1/2

### MRFT/B (TECHNOPOLYMER RING)

Code Ref.

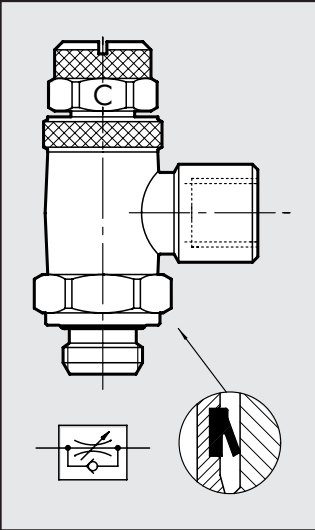


9021201	MRFT/B 4 M5
9021202	MRFT/B 4 1/8
9021203	MRFT/B 5 M5
9021204	MRFT/B 5 1/8
9021205	MRFT/B 6 M5
9021206	MRFT/B 6 1/8
9021207	MRFT/B 6 1/4
9021208	MRFT/B 8 1/8
9021209	MRFT/B 8 1/4
9021211	MRFT/B 10 1/4
9021212	MRFT/B 10 3/8
9021214	MRFT/B 12 1/4
9021215	MRFT/B 12 3/8
9021216	MRFT/B 12 1/2



**MRF/CF**  
(BRASS RING)

Code Ref.

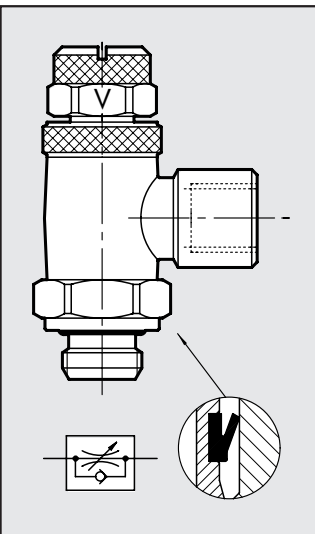


- 9031301 MRF/CF 1/8 1/8
- 9031302 MRF/CF 1/4 1/4
- 9031303 MRF/CF 3/8 3/8

**NOTES**

**MRF/VF**  
(BRASS RING)

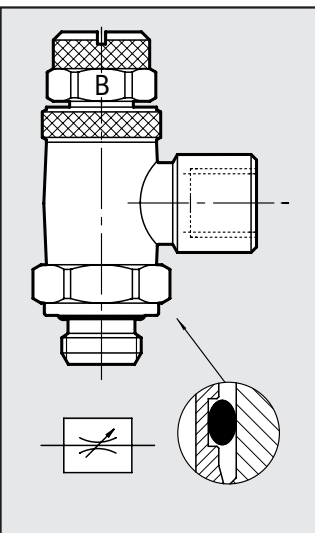
Code Ref.



- 9031401 MRF/VF 1/8 1/8
- 9031402 MRF/VF 1/4 1/4
- 9031403 MRF/VF 3/8 3/8

**MRF/BF**  
(BRASS RING)

Code Ref.



- 9031501 MRF/BF 1/8 1/8
- 9031502 MRF/BF 1/4 1/4
- 9031503 MRF/BF 3/8 3/8