

# FLOW MICRO-REGULATOR Serie MRF O

## FLOW MICRO-REGULATOR

This type of MRF, which can be adjusted using a screwdriver only, prevents unintentional modifications to the setting.

Due to their special configuration, they can be mounted using an automatic screwdriver, which reduces assembly times. Once the ring is mounted, it remains fixed in the required position.

As MRF N (see pag. 4.3/10), there are three types:

C = cylinder

V = valve

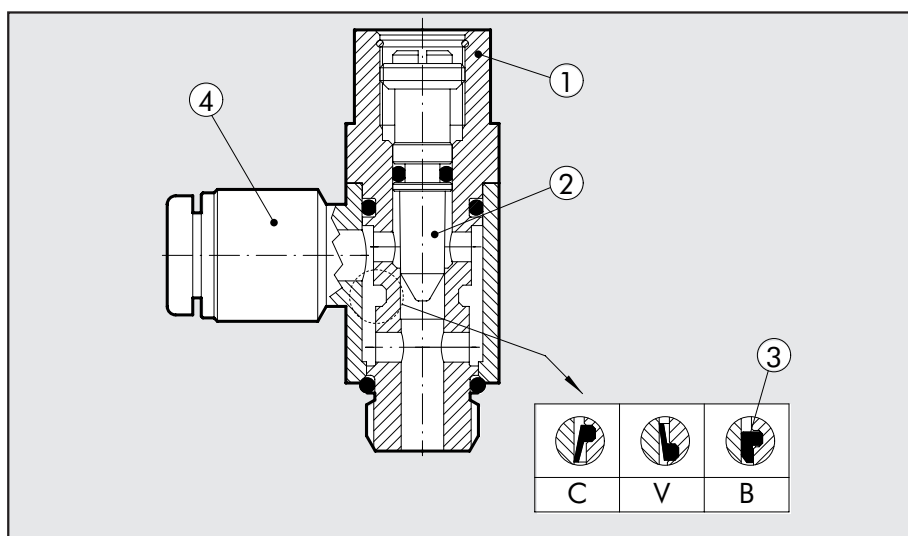
B = bidirectional



TECHNICAL DATA		M5	1/8"	1/4"
		Max. pressure	bar	
	MPa		1	
Max. temperature	°C		70	
	°F		158	
Max. flow rate during regulation at 6 bar	NI/min	105	500	1150
Actuation		Screw with frictioning		
Internal system		Tapered needle		

## COMPONENTS

- ① Body: nickel-plated brass
- ② Regulation needle: brass
- ③ Gasket: NBR
- ④ Rotary ring: nickel-plated brass

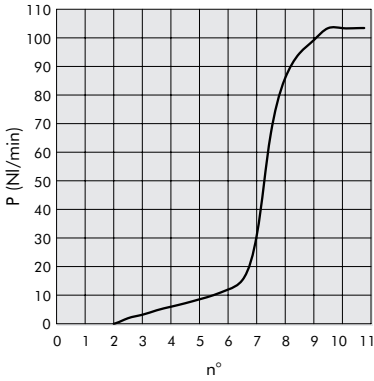




## FLOW CHARTS

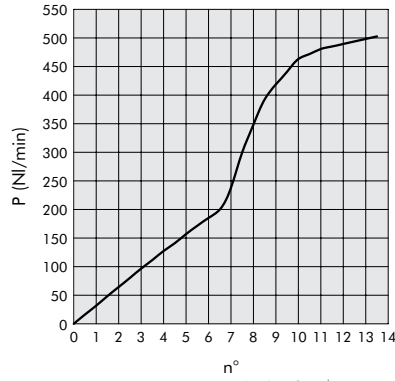
### MRF M5

FLOW RATE FOR Ø5 PIPE



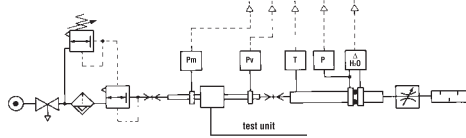
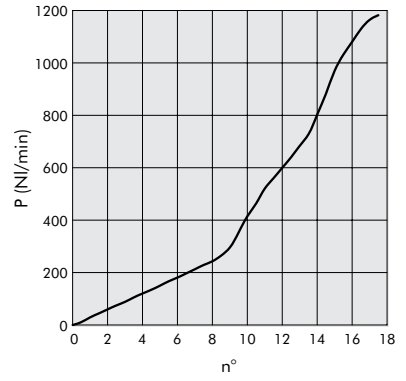
### MRF 1/8"

FLOW RATE FOR Ø6 PIPE



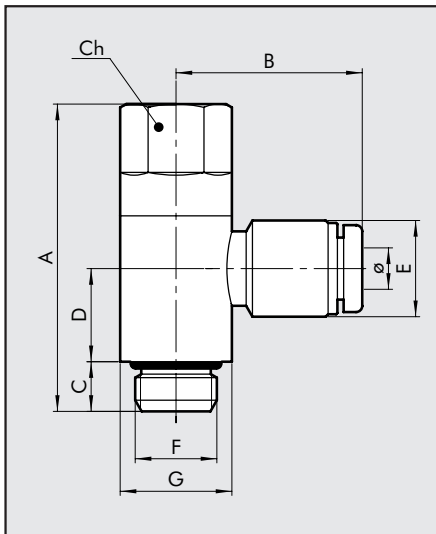
### MRF 1/4"

FLOW RATE FOR Ø8 PIPE



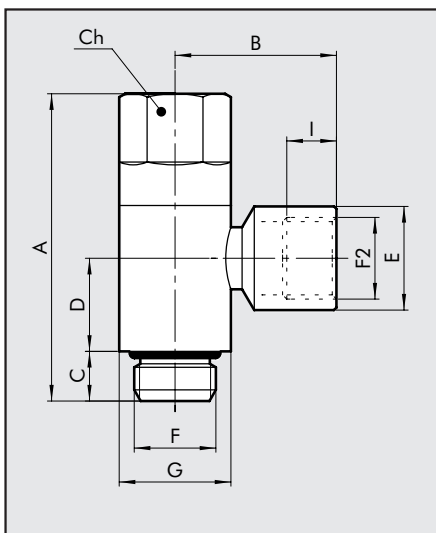
• Flow rate tests carried out by the Department of Mechanics at the Turin Polytechnic using a computerized test station and in compliance with CETOP RP50R recommendations (approved by ISO DIS 6358-2) with ISO 5167 diaphragm gauge.

### OVERALL DIMENSIONS: MRF "R" RING



	F	Ø	A	B	C	D	E	G	CH
M5	4	28	24	5	5.5	10	10	9	
1/8	4	37	25	7	11.5	11	14	12	
M5	5	28	25	5	5.5	11	10	9	
1/8	5	37	25	7	11.5	12	14	12	
1/8	6	37	26	7	11.5	13	14	12	
1/4	6	50	28	9	15	13	18	16	
1/8	8	37	31	7	11.5	15	14	12	
1/4	8	50	31	9	15	15	18	16	
1/4	10	50	36	9	15	18	18	16	

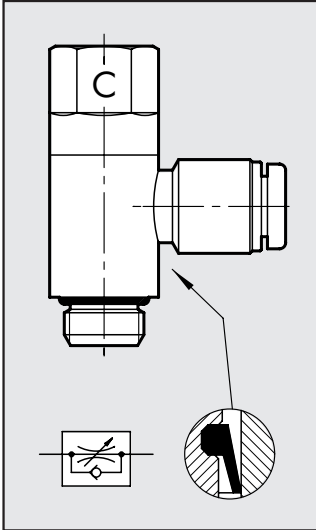
### OVERALL DIMENSIONS: THREADED RING



	F	F2	A	B	C	D	E	G	I	CH
1/8	1/8	37	20.5	7	11.5	13.5	14	7	12	
1/4	1/4	50	24.5	9	15	17	18	8	16	

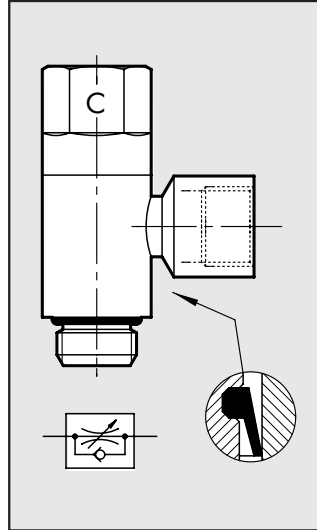
## ORDERING CODES

### UNIDIRECTIONAL CYLINDER VERSION WITH PUSH-IN FITTING



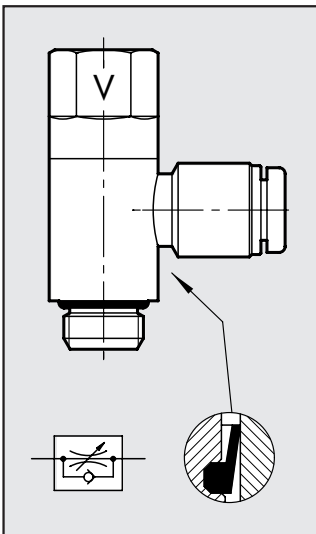
Code	Ref.
9001001	MRFO C 4 M5
9001011	MRFO C 4 1/8
9001002	MRFO C 5 M5
9001012	MRFO C 5 1/8
9001003	MRFO C 6 1/8
9001004	MRFO C 6 1/4
9001005	MRFO C 8 1/8
9001006	MRFO C 8 1/4
9001008	MRFO C 10 1/4

### UNIDIRECTIONAL CYLINDER VERSION WITH FEMALE PORT



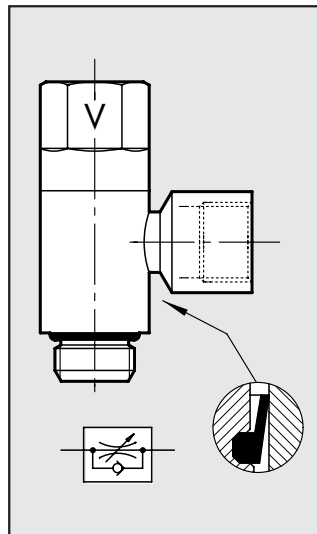
Code	Ref.
9001020	MRFO CF 1/8 - 1/8
9001021	MRFO CF 1/4 - 1/4

### UNIDIRECTIONAL VALVE VERSION WITH PUSH-IN FITTING



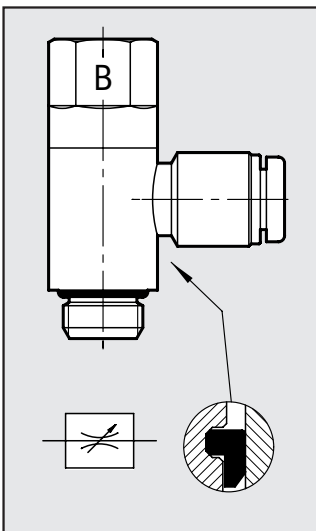
Code	Ref.
9001111	MRFO V 4 1/8
9001112	MRFO V 5 1/8
9001101	MRFO V 6 1/8
9001102	MRFO V 6 1/4
9001103	MRFO V 8 1/8
9001104	MRFO V 8 1/4
9001106	MRFO V 10 1/4

### UNIDIRECTIONAL VALVE VERSION WITH FEMALE PORT



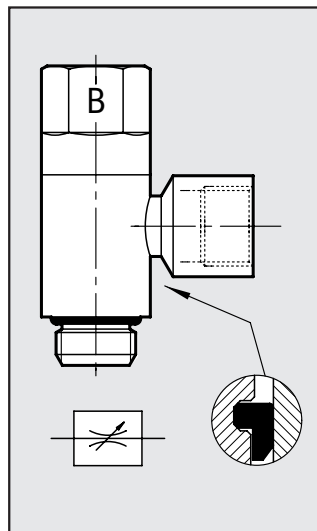
Code	Ref.
9001120	MRFO VF 1/8 - 1/8
9001121	MRFO VF 1/4 - 1/4

### BIDIRECTIONAL VERSION WITH PUSH-IN FITTING



Code	Ref.
9001601	MRFO B 4 M5
9001602	MRFO B 4 1/8
9001603	MRFO B 5 M5
9001604	MRFO B 5 1/8
9001605	MRFO B 6 1/8
9001606	MRFO B 6 1/4
9001607	MRFO B 8 1/8
9001608	MRFO B 8 1/4
9001609	MRFO B 10 1/4

### BIDIRECTIONAL VERSION WITH FEMALE PORT



Code	Ref.
9001620	MRFO BF 1/8 - 1/8
9001621	MRFO BF 1/4 - 1/4