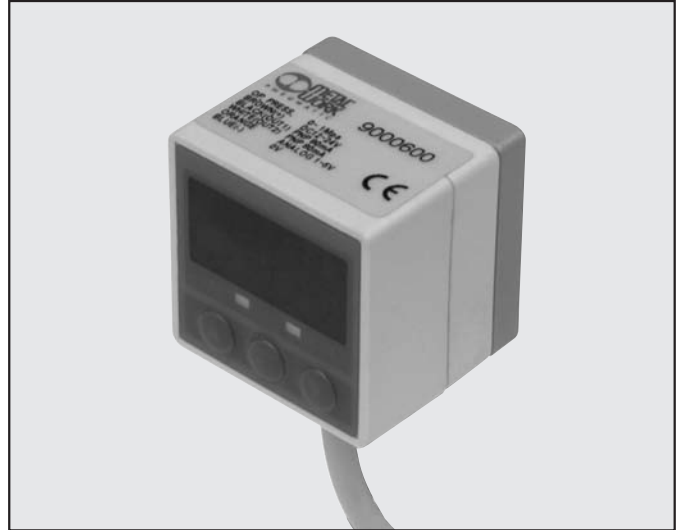


DIGITAL PRESSURE SWITCH

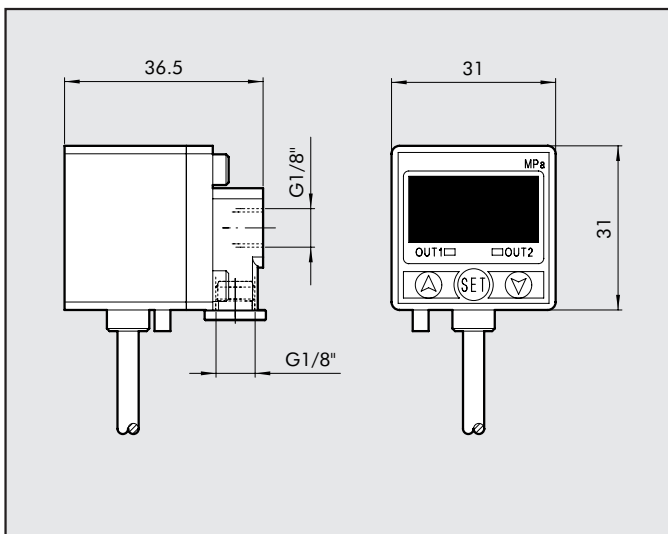
The digital pressure switch can be used to transmit electric pressure signals and also display the pressure instantly. The signal is transmitted for two settable pressure values and with an analogue voltage signal. The values are clearly displayed on a LED video and different parameters can be entered from the keypad. Hysteresis can be adjusted and the unit of measurement for pressure can be modified. Two compressed air ports are provided, one at the back and one on the bottom. The pressure switch comes with a threaded plug in the bottom port. If you wish to connect to this port, merely unscrew the plug and screw it into the back port. A kit of accessories is provided for fixing to the top or wall, or to a panel.



TECHNICAL DATA		
Working pressure range	bar	0 ÷ 10
	Mpa	0 ÷ 1
Maximum admissible pressure	bar	15
	Mpa	1.5
Readable resolution:	bar	0.01
	Mpa	0.001
	kg/cm ²	0.01
	Psi	0.1
Power supply	VDC	12 ÷ 24 ±10%, max ripple 10%
Current consumption	mA	≤ 55
Digital outputs		2 type PNP, with max current 80 mA, max voltage 30 VDC; residual voltage ≤ 1V (at 80 mA)
Digital output repeatability		≤ ±0,2 % full scale ±2 digits
Hysteresis		Adjustable or fixed at 3 digits for operation within a pressure range
Actuation response time	ms	≤ 2.5
Interference suppression selectable at		24 ms, 192 ms, 768 ms
Short-circuit protection at the outputs		Yes
LED 7 segment display		3 1/2 digit display (image update 5 times/ s)
Display accuracy		±2% full scale ±1 digit, ambient temperature 25° ±3°C
Indicators		green LED (output 1), red LED (output 2)
Analogue output		1-5 V ±2.5 %
		Linearity ≤ 1% full scale
Thermal characteristic		≤ ±2% full scale of the calibration pressure (at 25°C), in the temperature range 0 - 50°C
Compressed air ports		Two 1/8"
Power cable		2 m, with five 0.15 mm ² wires, oil-resistant
Weight	g	135, including 2 m cable
AMBIENT CONDITIONS:		
Fluid		Filtered and unlubricated air, inert non-corrosive and non-explosive gas
Degree of protection		IP 40
Temperature range	°C	0 ÷ 50
Storage temperature	°C	-20 to +60, but without condensate or ice
Ambient humidity		35 ÷ 85% relative humidity; no condensate
Insulation voltage		1000 VAC for one minute between casing and cable
Resistance of Insulation		Min. 50 M Ohm minimo (at 500 VDC between casing and cable)
Vibration admitted		1.5 mm amplitude with scanning every minute from 10 to 55 Hz at 10 Hz, for 2 hours in each direction x, y and z
Impact		980 m/s ² (100 g), 3 times in each direction x, y and z

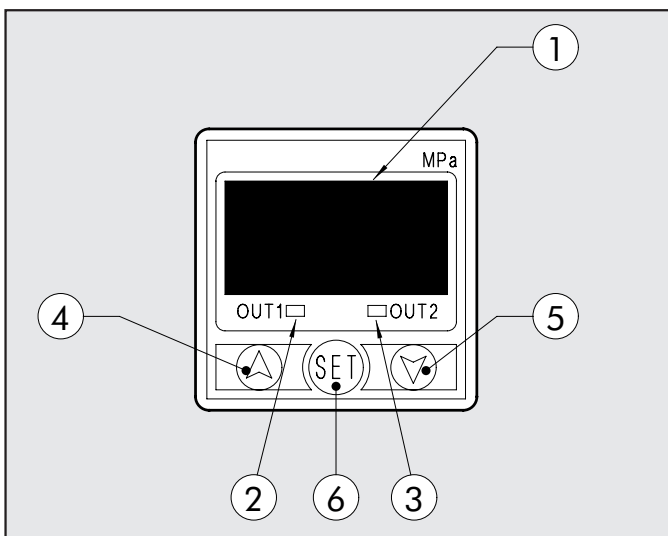


DIMENSIONS



Code	Description
9000600	DIGITAL PRESSURE SWITCH

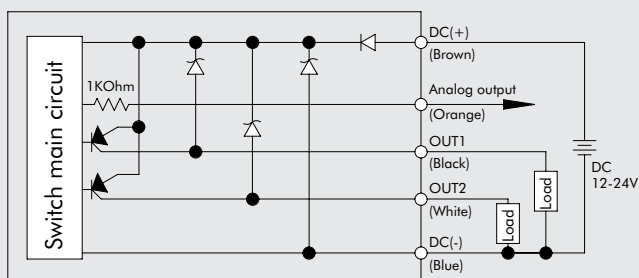
USER INTERFACE



- ① 3 1/2 digit display: showing the pressure reading, all setting information, and the error code
- ② Digital output 1: green LED
- ③ Digital output 2: red LED
- ④ Button: modifies the value of the selected parameter
- ⑤ Button: modifies the value of the selected parameter
- ⑥ Setting button: selects the parameter to modify

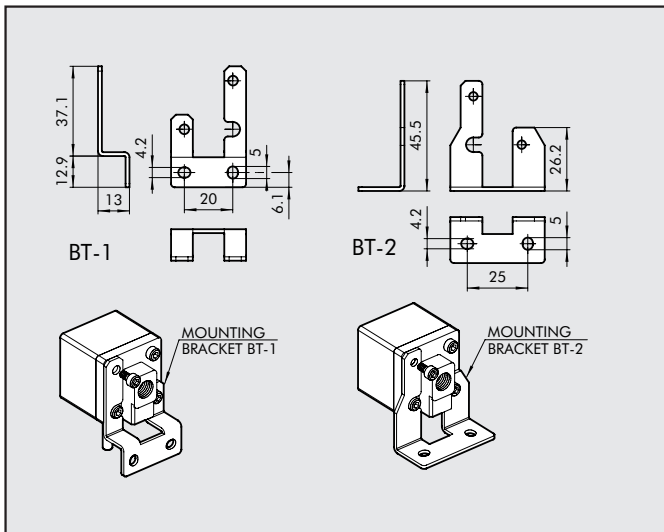
WIRING DIAGRAM

PNP output



ACCESSORIES

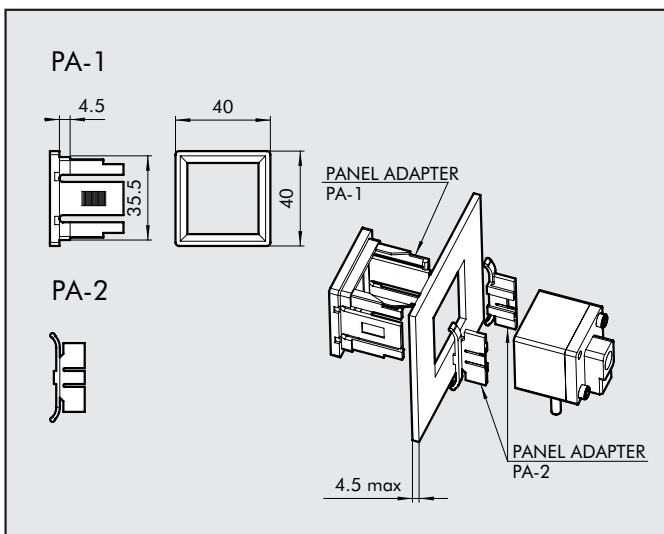
FIXING BRACKET KIT



Code	Description
9000601	KIT OF FIXING BRACKETS FOR DIGITAL PRESSURE SWITCHES

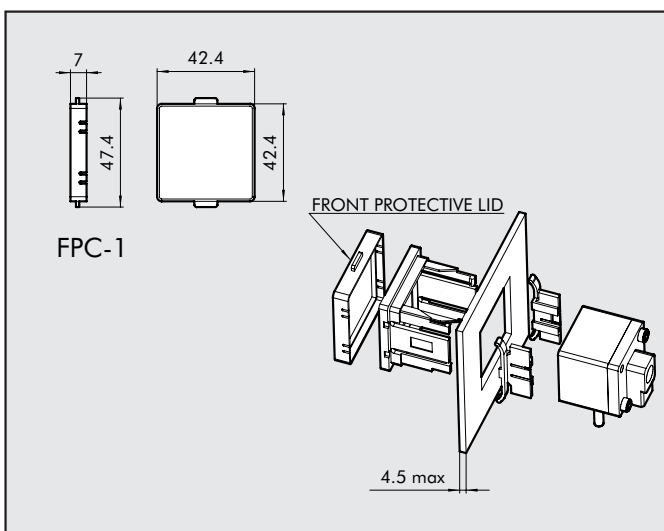
NB: Each kit contains a bracket for fixing on the back and one for fixing at the bottom.

PANEL FIXING KIT



Code	Description
9000602	KIT FOR PANEL FIXING FOR THE DIGITAL PRESSURE SWITCH

PANEL FIXING KIT WITH VIDEO SCREEN



Code	Description
9000603	KIT FOR PANEL FIXING WITH SCREEN FOR THE DIGITAL PRESSURE SWITCH