

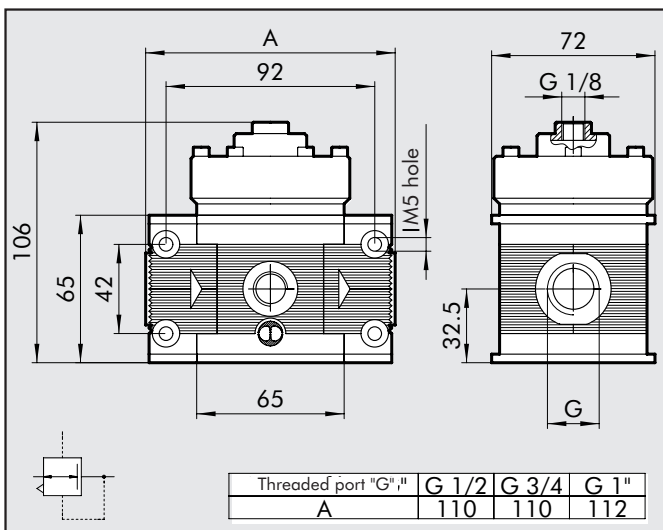
Skillair® 300 PILOT OPERATED REGULATOR

- Pilot-operated or servo-piloted regulator
- Twin rolling diaphragm to ensure improved opening and hence greater flow rate.
- Low load losses
- Excellent precision in pressure setting
- Excellent sensitivity during relieving.



TECHNICAL DATA	300 PILOT OPERATED REG		
	G 1/2"	G 3/4"	G 1"
Threaded port	G 1/2"	G 3/4"	G 1"
Setting range	Depending on the pilot regulator		
Max. input pressure	MPa	1.3	
	bar	13	
	psi	188	
Flow rate at 6.3 bar (0.63 MPa-91 psi)	NI/min	4500	
ΔP 0.5 bar (0.05 MPa – 7 psi)	scfm	160	
Flow rate at 6.3 bar (0.63 MPa-91 psi)	NI/min	7000	
ΔP 1 bar (0.1 MPa – 14 psi)	scfm	247	
Fluid	Filtered, lubricated or unlubricated compressed air. Lubrication, if used, must be continuous.		
Max temperature at 1 MPa; 10 bar; 145 psi	°C	50	
	°F	122	
Weight	gr	1.3	
Wall fixing screws		M5x70	
Mounting		In any position	
Pressure gauge port		G 1/8"	
Notes on use	The regulator pressure must always be set upwards. Do not take air from the pressure gauge ports.		

DIMENSIONS



ORDERING CODES

Code	Description
4403003A	300 PILOT OPERATED REG WITHOUT END PLATES
4403003	300 1/2" PILOT OPERATED REG
4503003	300 3/4" PILOT OPERATED REG
4603003	300 1" PILOT OPERATED REG