

Skillair® SHUT-OFF VALVE

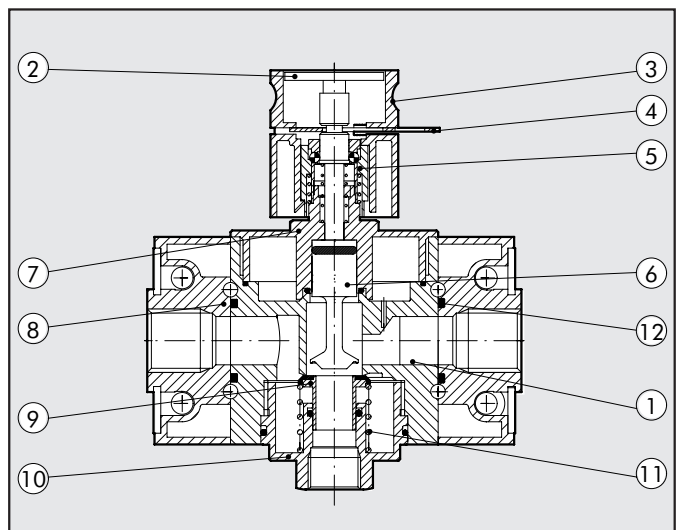
The job of this valve is to make the circuit independent from the air supply. It is basically a three-way valve. In the closed position, it cuts off the air supply and discharges the downstream circuit at the same time, which means it is particularly useful during servicing operations. The hand-operated version can be padlocked to lock the knob in a closed position so that it can only be opened by someone with the right key. An interlocked version is available for low pressure operation.

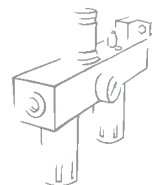


TECHNICAL DATA	V3V 100	V3V 100	V3V 200	V3V 200	V3V 200	V3V 300	V3V 300	V3V 300
Threaded port	G 1/4	G 3/8	G 1/4	G 3/8	G 1/2	G 1/2	G 3/4	G 1"
Min. inlet pressure for solenoid version **	MPa	0.3		0.3			0.2	
	bar	3		3			2	
	psi	43.5		43.5			29	
Max. inlet pressure*	MPa	1.5		1.3			1.3	
	bar	15		13			13	
	psi	217		188			188	
Flow rate at 6.3 bar (0.63 MPa-91 psi)	NI/min	1300		2400			3200	
ΔP 0.5 bar (0.05 MPa – 7 psi)	scfm	46		85			113	
Flow rate at 6.3 bar (0.63 MPa-91 psi)	NI/min	1650		3000			4700	
ΔP 1 bar (0.1 MPa – 14 psi)	scfm	58		106			166	
Fluid	Filtered, lubricated or unlubricated compressed air. Lubrication, if used, must be continuous							
Max temperature	°C	50		50			50	
	°F	122		122			122	
Weight	Kg	~ 0.5		~ 0.8			~ 1.2	
Wall fixing screws		M4 x 50		M5 x 60			M5 x 70	
Mounting	In any position							
Type of control	Manual – Pneumatic – Solenoid – Solenoid pilot-assisted							
* 1 MPa – 10 bar – 145 psi for solenoid version								
** 0.01 MPa – 0.1 bar – 1.45 psi for manual, pneumatic and pilot-assisted versions with controls min. 0.3 MPa 3 bar 43.5 psi.								

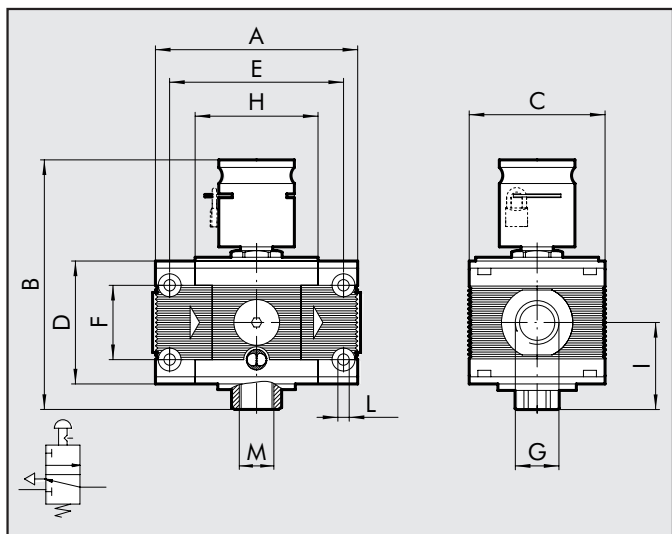
COMPONENTS

- ① Technopolymer body
- ② Operating button
- ③ Technopolymer knob
- ④ Stainless steel safety lamination
- ⑤ Locking unit
- ⑥ OT58 brass piston rod
- ⑦ OT58 brass top plug
- ⑧ Zamak end plate
- ⑨ Valve with vulcanized NBR gasket
- ⑩ OT58 brass bottom plug
- ⑪ Stainless steel valve spring
- ⑫ NBR gaskets



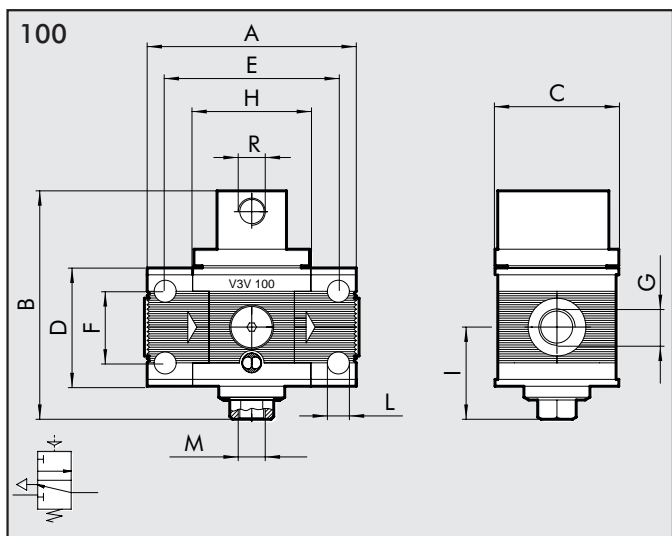


DIMENSIONS OF V3V MANUAL VERSION (LOCKABLE)

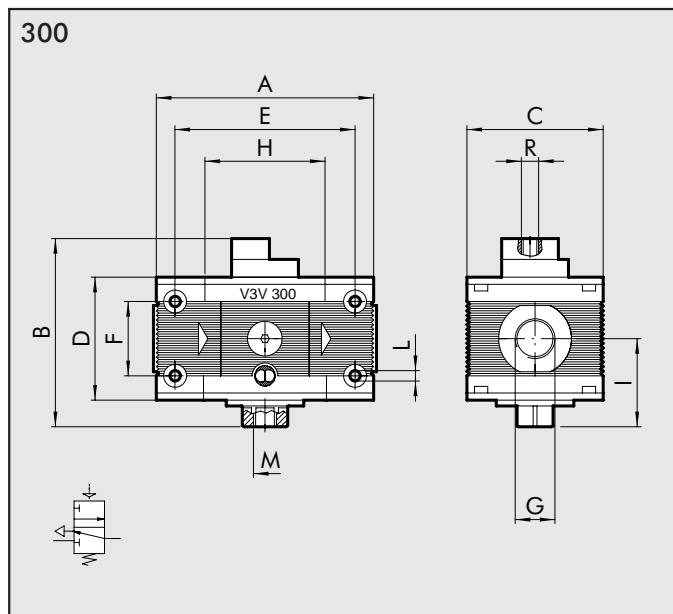
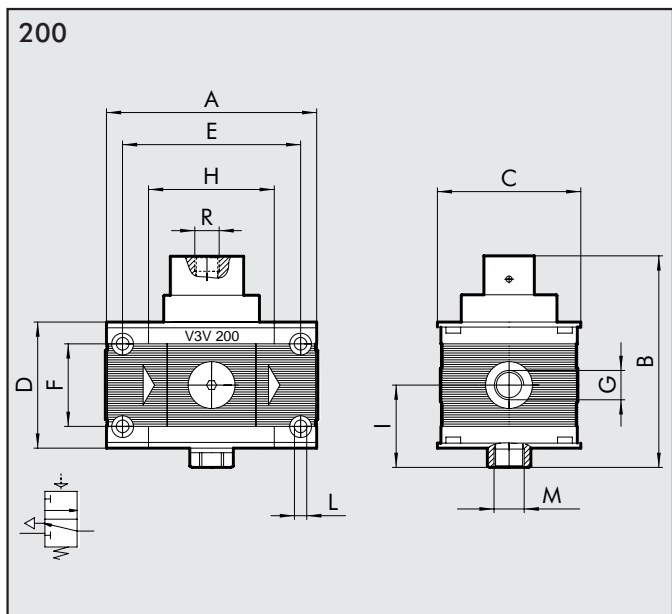


	V3V 100	V3V 100	V3V 200	V3V 200	V3V 200	V3V 300	V3V 300	V3V 300
Thr. p.	G 1/4	G 3/8	G 1/4	G 3/8	G 1/2	G 1/2	G 3/4	G 1"
A	78			93.5		110		112
B	106			119			132	
C	50			63			72	
D	43			55			65	
E	63			78.5			92	
F	26			36			42	
G	G 1/4	G 3/8	G 1/4	G 3/8	G 1/2	G 1/2	G 3/4	G 1"
H	43			55.5			65	
I	33.5			40			46.5	
L	M4 hole			M5 hole			M5 hole	
M	G 1/8			G 1/4			G 3/8	
(relief)								

DIMENSIONS OF V3V PNEUMATIC VERSION

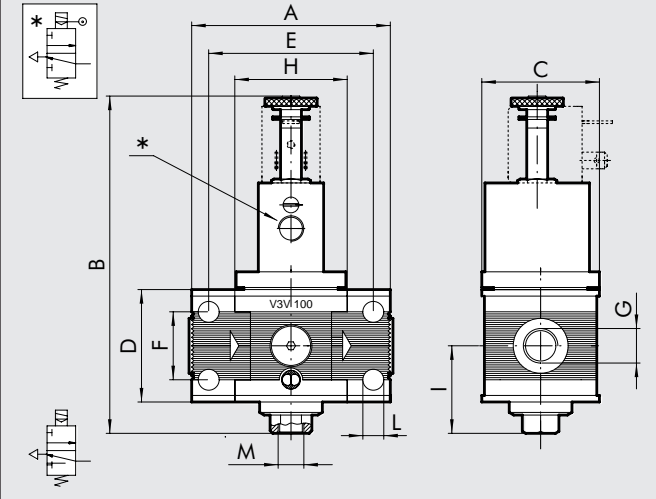


	V3V 100	V3V 100	V3V 200	V3V 200	V3V 200	V3V 300	V3V 300	V3V 300
Thr. p.	G 1/4	G 3/8	G 1/4	G 3/8	G 1/2	G 1/2	G 3/4	G 1"
A	78			93.5		110		112
B	83			96			106	
C	50			63			72	
D	43			55			65	
E	63			78.5			92	
F	26			36			42	
G	G 1/4	G 3/8	G 1/4	G 3/8	G 1/2	G 1/2	G 3/4	G 1"
H	43			55.5			65	
I	33.5			40			46.5	
L	M4 hole			M5 hole			M5 hole	
M	G 1/8			G 1/4			G 3/8	
(relief)								
R	G 1/8			G 1/8			G 1/8	
(pilot)								



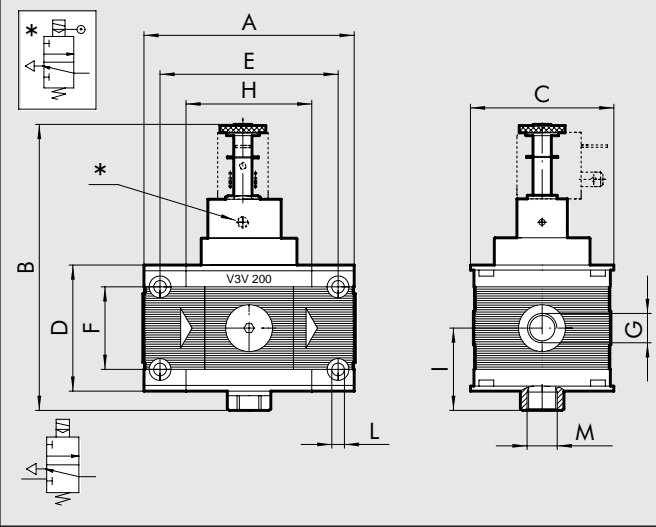
DIMENSIONS OF V3V SOLENOID/SOLENOID PILOT-ASSISTED VALVE

V3V 100 SOLENOID/SOLENOID PILOT-ASSISTED VALVE

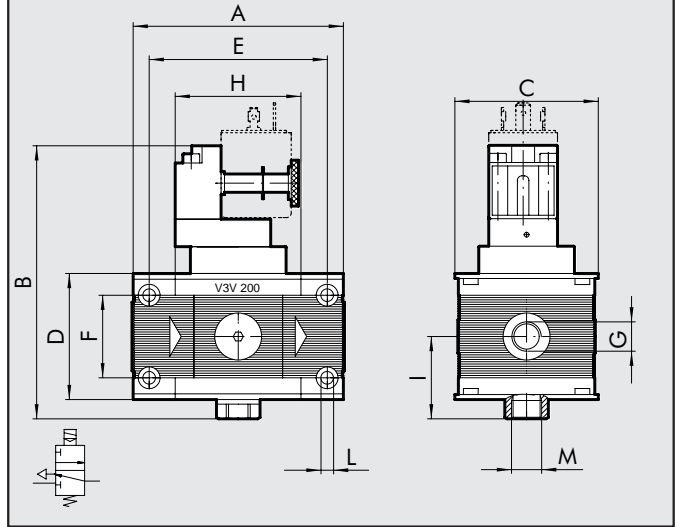


	V3V 100		V3V 200			V3V 300		
Threaded port	G 1/4	G 3/8	G 1/4	G 3/8	G 1/2	G 1/2	G 3/4	G 1"
A	78		93.5			110		112
B	128		129			152		
Solenoid pilot-ass.	129		129			-		
CNOMO control	-		123			125		
CNOMO pilot-ass.	-		-			138		
Microsol control	-		-			124		
C	50		63			72		
D	43		55			65		
E	63		78.5			92		
F	26		36			42		
G	G 1/4	G 3/8	G 1/4	G 3/8	G 1/2	G 1/2	G 3/4	G 1"
H	43		55.5			65		
I	33.5		40			46.5		
L	M4 hole		M5 hole			M5 hole		
M (relief)	G 1/8		G 1/4			G 3/8		
* (pilot)	G 1/8		M5			M5		

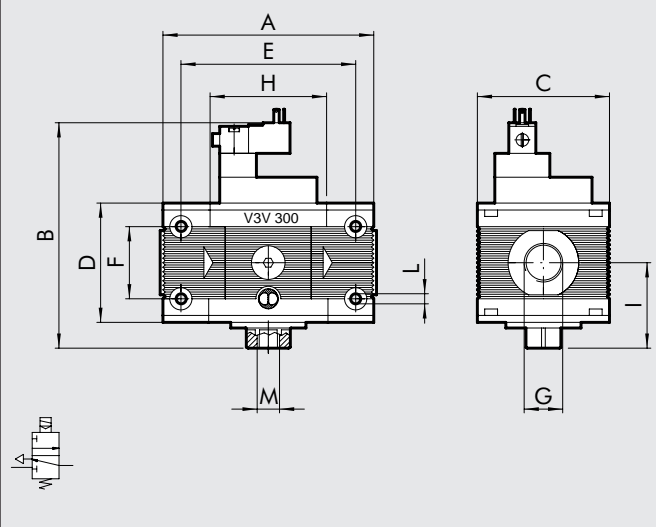
V3V 200 SOLENOID/SOLENOID PILOT-ASSISTED VALVE



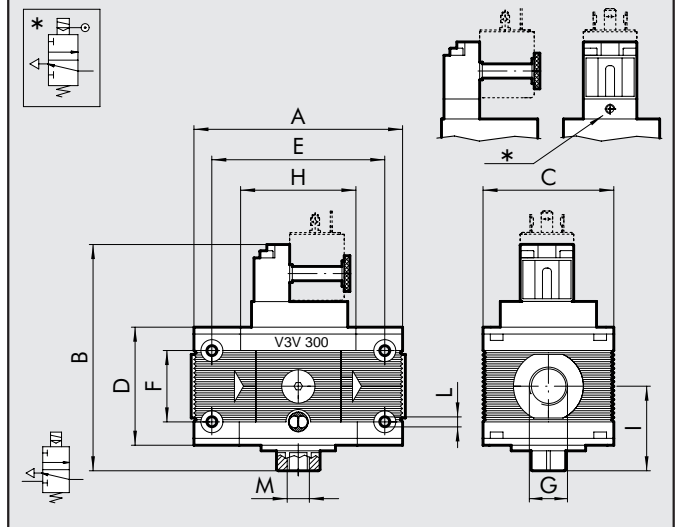
V3V 200 CNOMO

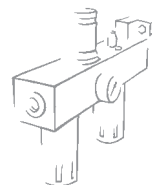


V3V 300 SOLENOID MICRO VALVE



V3V 300 CNOMO SOLENOID VALVE/ CNOMO SOLENOID PILOT-ASSISTED





Skillair® 400 SHUT-OFF VALVE

The main module of size 400 is now available with manual key-operated, pneumatic, solenoid and solenoid pilot-assisted.

N.B. With size 400, when the V3V is mounted upstream of the regulator, the pilot regulator must be piloted at a pressure taken upstream of the V3V, otherwise when the system is relieved, most of the air downstream will be relieved by the regulator and not the V3V relief port. For connecting instruction see page 3.1/15.



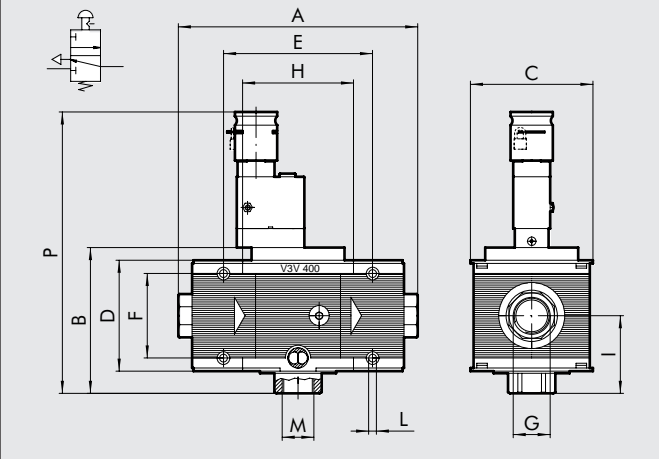
TECHNICAL DATA	V3V 400	V3V 400	V3V 400	V3V 400
Threaded port	G 1"	G 1"1/4	G 1"1/2	G 2"
Min. inlet pressure **			0.3	
			3	
			43.5	
Max. inlet pressure*			1.3	
			13	
			188	
Flow rate at 6.3 bar (0.63 MPa-91 psi)		13000 NI/min		14000 NI/min
ΔP 0.5 bar (0.05 MPa – 7 psi)		460 scfm		494 scfm
Fluid	Filtered, lubricated or unlubricated compressed air. Lubrication, if used, must be continuous			
Temperatura max.			50	
			122	
Weight		4.8		5.6
Wall fixing screws	M6x110			
Mounting	In any position			
Type of control	Manual – Key-operated- Pneumatic – Solenoid – Solenoid pilot-assisted			
Notes:	The end plates in the 400 series have a patented system with a rotary and sliding end joint to adapt the unit perfectly to the pipe cutting distance.			

* 1 MPa – 10 bar – 145 psi for solenoid version

** 0.01 MPa – 0.1 bar – 1.45 psi for pneumatic and pilot-assisted versions with controls at min. 0.3 MPa 3 bar 43.5 psi.

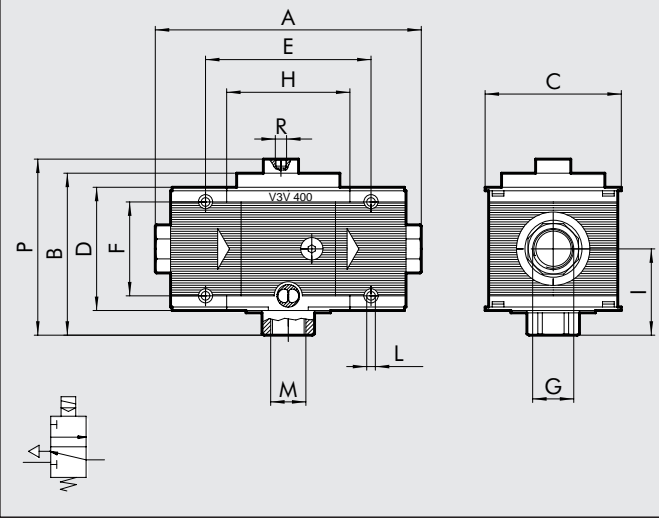
DIMENSIONS OF V3V 400 VALVE

V3V 400 MANUAL (LOCKABLE)

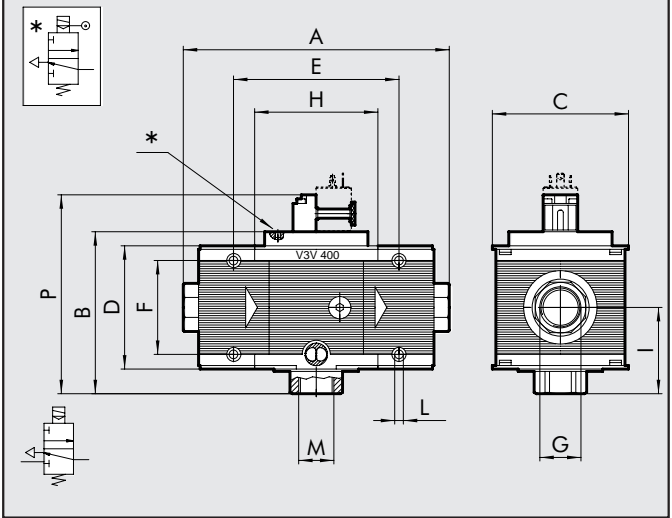


	V3V 400	V3V 400	V3V 400	V3V 400
Threaded port	G 1"	G 1"1/4	G 1"1/2	G 2"
A	225÷255			283÷313
B	137			
C	116			
D	105			
E	141.4			
F	80			
G	G 1"	G 1"1/4	G 1"1/2	G 2"
H	105.4			
I	72.5			
L	M6 hole			
M (relief)	G 1"			
P Manual	266			
Key-operated	249			
CNOMO control	169			
Pneumatic control	150			
R (pilot)	G 1/8			
* (pilot-assisted)	M5			

V3V 400 PNEUMATIC



**V3V 200 SOLENOID
CNOMO/SOLENOID PILOT-ASSISTED**



V3V 400 KEY-OPERATED

