

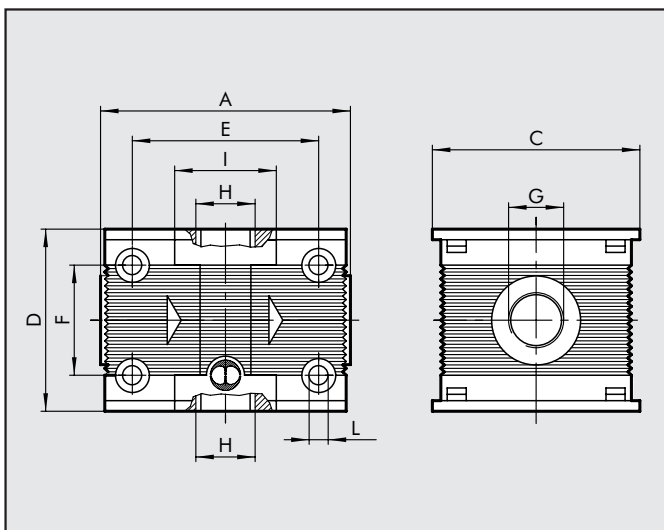
# Skillair® AIR TAKE-OFF

The air take-off takes air from the SKILLAIR® FRL unit irrespective of the assembly position. It is necessary when air needs to be taken from the FRL unit at any stage of the treatment (normal, filtered and regulated, lubricated, etc.). If used separately from the FRL unit, which is infinitely modular, it acts as a distributor allowing air take-off through the threaded ports.



TECHNICAL DATA	PA 100	PA 100	PA 200	PA 200	PA 200	PA 300	PA 300	PA 300	PA 400	PA 400	PA 400	PA 400
Threaded port	G 1/4	G 3/8	G 1/4	G 3/8	G 1/2	G 1/2	G 3/4	G 1"	G 1"	G 1 1/4	G 1 1/2	G 2
Max. working temperature	°C 50		50		50		50		50		50	
at: 1 MPa; 10 bar; 145 psi	°F 122		122		122		122		122		122	
Max. operating pressure	MPa 1.5		1.3		1.3		1.3		1.3		1.3	
	bar 15		13		13		13		13		13	
	psi 217		188		188		188		188		188	
	M4 x 50		M5 x 60		M5 x 70		M6 x 110		M6 x 110		M6 x 110	
	G 1/4		G 1/4		G 3/8		G 1		G 1		G 1	
Weight	Kg 0.3		0.5		0.8		4.3		4.3		5.1	
Wall fixing screws	M4 x 50		M5 x 60		M5 x 70		M6 x 110		M6 x 110		M6 x 110	

## PA 100 – 200 – 300 DIMENSIONS



	PA 100	PA 100	PA 200	PA 200	PA 200	PA 300	PA 300	PA 300
Th. p.	G 1/4	G 3/8	G 1/4	G 3/8	G 1/2	G 1/2	G 3/4	G 1"
A	59		63		177		179	
C	50		63		72		72	
D	43		55		65		65	
E	44		48		59		59	
F	26		36		42		42	
G	G 1/4	G 3/8	G 1/4	G 3/8	G 1/2	G 1/2	G 3/4	G 1"
H	G 1/4		G 1/4		G 3/8		G 3/8	
I	24		25		32		32	
L	M4 hole		M5 hole		M5 hole		M5 hole	

