

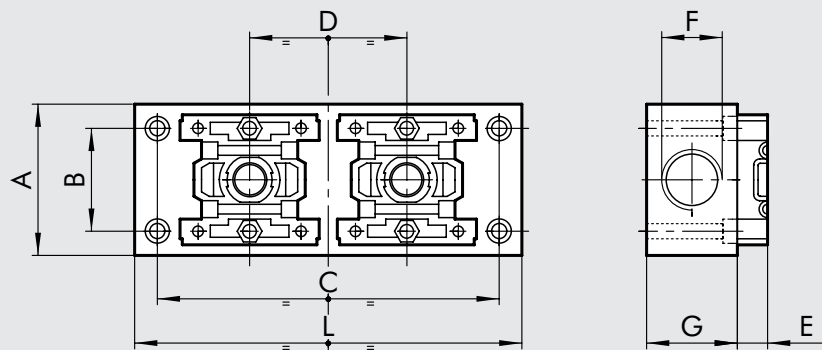
Skillair® SUB-BASE AND ADAPTER BASE

The adapter base is used to adapt the Skillair® FRL system to various assemblies without affecting modularity or servicing.
If you use the universal adapter base plus the intermediate plate, you can assemble several elements of different sizes.



DIMENSIONS	100 - 2 POS.	100 - 3 POS	200 - 2 POS	200 - 3 POS	300 - 2 POS	300 - 3 POS
A	50	50	55	55	60	60
B	34	34	44	44	49	49
C	113	165	135	200	155	230
D	52	52	65	65	75	75
E	10	10	8.5	8.5	10.5	10.5
F	G 1/2	G 1/2	G 3/4	G 3/4	G 3/4	G 3/4
G	30	30	40	40	40	40
L	128	180	150	215	170	245

2-POSITION SUB-BASE



3-POSITION SUB-BASE

