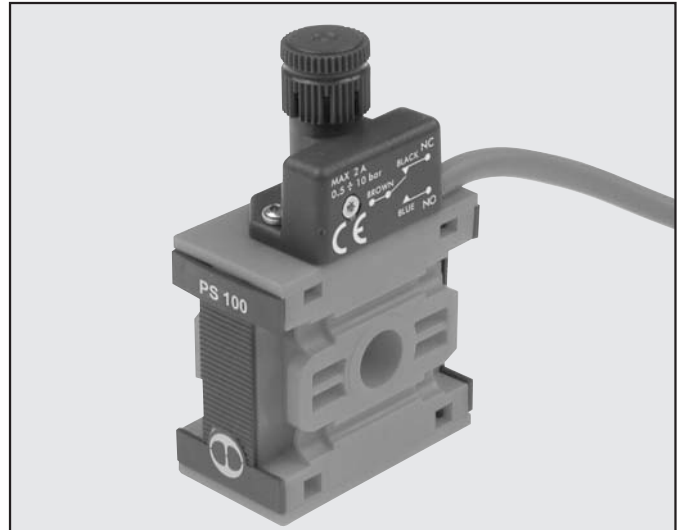


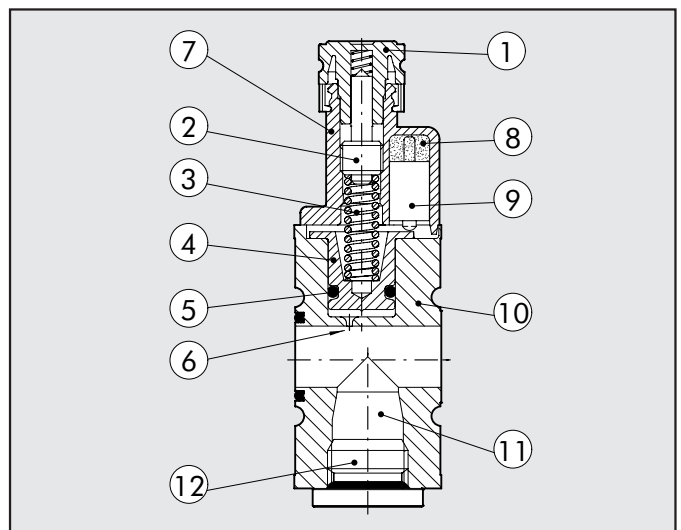
Skillair® pressure switches feature a high degree of miniaturisation and a modern attractive design. As they are extremely modular, the Skillair series can be installed facing up or down. They come ready assembled with a 2-metre cable or an M8 connector with a 300-mm cable. The contact is the switching type, which means it can be normally open or normally closed. It can be regulated via a knurled push-lock handle. On the side opposite the regulation handle is a threaded air inlet port that can be used by removing the threaded plug.



TECHNICAL DATA		PS 100	PS 200	PS 300
Adjustable pressure interval	bar		0.5 ÷ 10	
Hysteresis (not adjustable)	bar		from 0.4 to 0.8 (See diagram)	
Maximum pressure	bar	15	13	13
	MPa	1.5	1.3	1.3
	psi	217	188	188
Operating temperature range at: 1 MPa; 10 bar; 145 psi	°C		50	
	°F		122	
Lower threaded port		G 1/4"	G 1/4"	G 3/8"
Maximum current	A		2	
Maximum voltage	V		250	
Outside diameter of cable	mm		4.9	
Number of wires and cross section			3x0.5 mm ²	
Contacts			Normally-Open (NO) and Normally-Closed (NC)	
Protection			IP65	
Number of switchings			5x10 ⁶	
Fluid			Filtered lubricated or unlubricated compressed air. Lubrication, if used, must be continuous	
Mounting position			In any position	
Weight	Kg	0.160	0.185	0.250

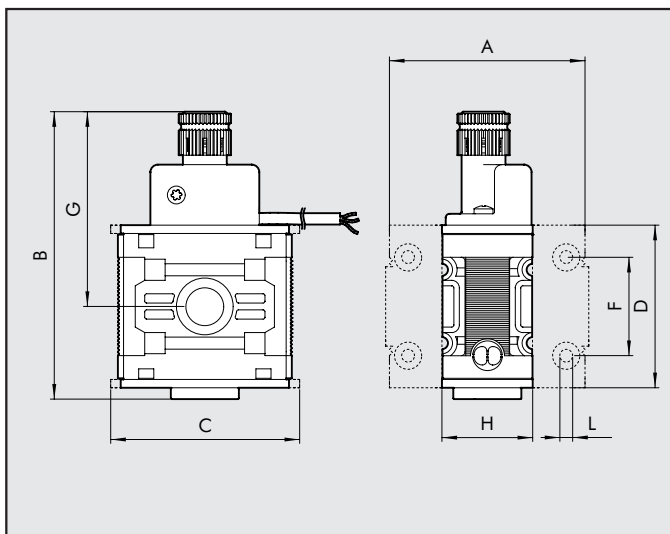
COMPONENTS

- ① Technopolymer adjusting push-lock handle
- ② Brass adjusting screw
- ③ Steel piston spring
- ④ Brass piston
- ⑤ NBR gasket
- ⑥ Choke to reduce peaks in pressure
- ⑦ Technopolymer pressure switch body
- ⑧ Resin finish for IP65
- ⑨ Electrical contact
- ⑩ Technopolymer body
- ⑪ Supplementary air inlet port
- ⑫ A7 plug





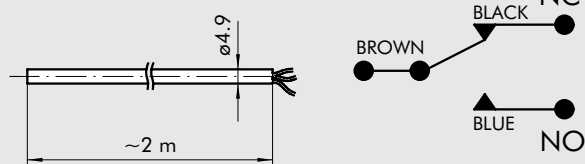
DIMENSIONS PS 100-200-300



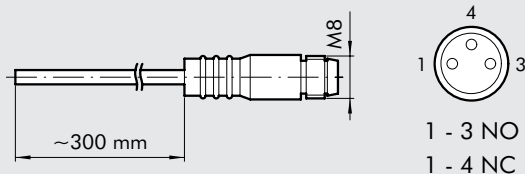
	PS 100	PS 200	PS 300
A	59	63	177
B	76	85	99
C	50	63	72
D	43	55	65
E	44	48	59
F	26	36	42
G	52	58	63
H	24	25	32
L	M4 hole	M5 hole	M5 hole

WIRING DIAGRAM

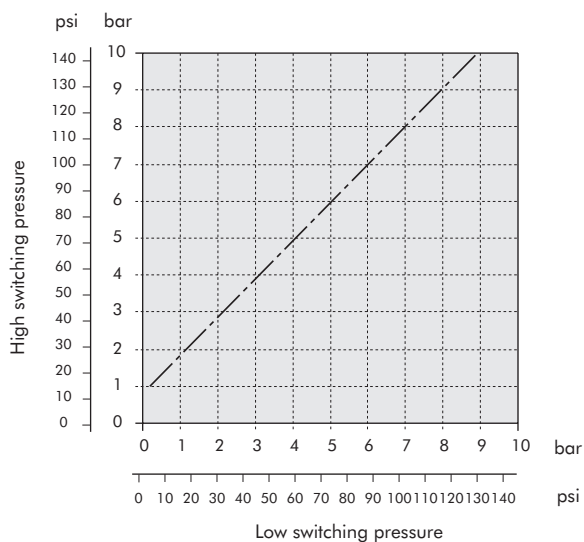
VERSION WITH CABLE



VERSION WITH M8 CONNECTOR



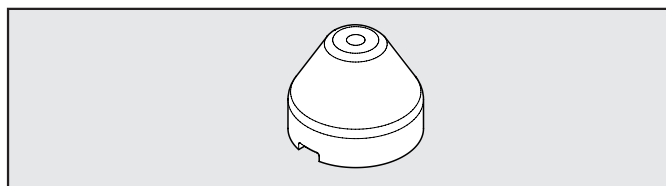
HYSTERESIS GRAPH



ORDERING CODES

Code	Description
PRESSURE SWITCHES 100	
3240000A	PS 100 2A NO/NC, 2m CABLE WITHOUT END PLATES
3240001A	PS 100 2A NO/NC M8 CONNECTOR WITHOUT END PLATES
PRESSURE SWITCHES 200	
3440000A	PS 200 2A NO/NC, 2m CABLE WITHOUT END PLATES
3440001A	PS 200 2A NO/NC M8 CONNECTOR WITHOUT END PLATES
PRESSURE SWITCHES 300	
4440000A	PS 300 2A NO/NC, 2m CABLE WITHOUT END PLATES
4440001A	PS 300 2A NO/NC M8 CONNECTOR WITHOUT END PLATES

SECURITY KNOB



Code	Description
9200703	ACC. SECURITY KNOB

NOTE: Pull outwards to remove the knob from the pressure switch on the unit. Insert the security knob and regulate the pressure switch. Then press the handle firmly to lock it in position. If the pressure switch needs to be reset, remove the security knob by forcing it laterally with a screwdriver.