

# bit FILTER

Mini-filter with different degrees of filtration and two types of drain (semi-automatic, automatic).

- Minimum load loss as the flow rate varies
- All-round condensate level viewing.

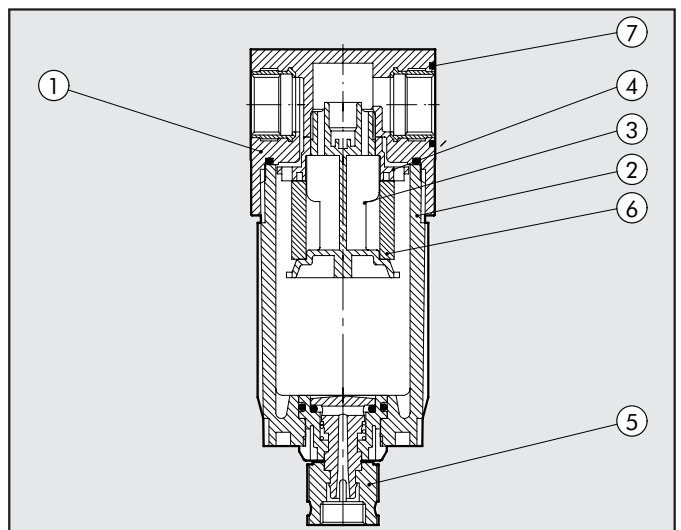
The degree of filtration is shown by the colour of the cartridge: yellow = 5µm, white = 20µm, blue = 50µm.



TECHNICAL DATA	BIT 1/8"		BIT 1/4"	
	1/8"		1/4"	
Threaded port	1/8"		1/4"	
Degree of filtration	5µm (giallo) 20µm (white) 50µm (blue)			
Max. inlet pressure	MPa	1.3		
	bar	13		
	psi	188		
Flow rate at 6.3 bar (0.63 MPa – 91 psi) ΔP 0.5 bar (0.05 MPa – 7 psi)	NI/min	860 NI/min=30.5 scfm		
Flow rate at 6.3 bar (0.63 MPa – 91 psi) ΔP 1 bar (0.1 MPa – 14 psi)	NI/min	1200 NI/min=42.5 scfm		
Fluid	Compressed air			
Max temperature at 1 MPa; 10 bar; 145 psi	°C	50		
	°F	122		
Weight	gr	40		
Wall fixing screws	M 4			
Mounting position	Vertical			
Condensate drain	Manual/Semi-auto (RMSA) Automatic (SAC)			
Bowl capacity	cm <sup>3</sup>	16		

## BIT FILTER ELEMENTS

- ① Technopolymer body with OT58 threaded element
- ② Clear technopolymer bowl
- ③ Technopolymer baffle plug
- ④ Technopolymer centrifuge
- ⑤ Condensate drain (RMSA)
- ⑥ HDPE sintered filter cartridge
- ⑦ NBR gaskets





## FLOW CHARTS

### FIL

$\Delta P = (P_m - P_v)$

psi KPa bar

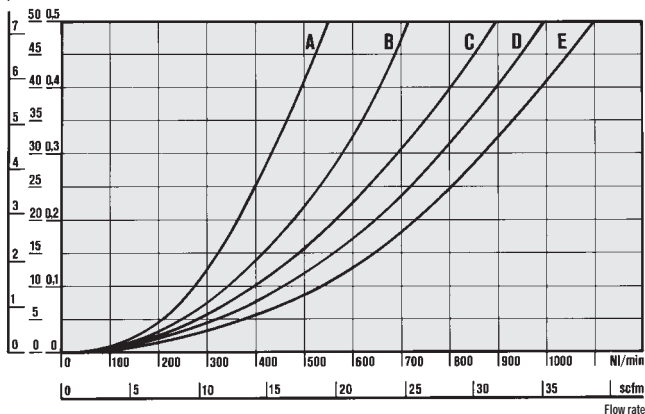
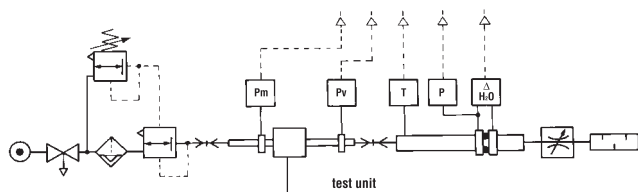


Chart referring to a filter with 1/4 ports



**Department of Mechanics**

Turin Polytechnic



• Flow tests carried out at the Department of Mechanics, Turin Polytechnic, using the computerized test bench following CETOP RP50R recommendations (ISO DIS 6358-2-approved) with ISO 5167 diaphragm gauge.

A = 2 bar - 0,2 MPa - 29 psi

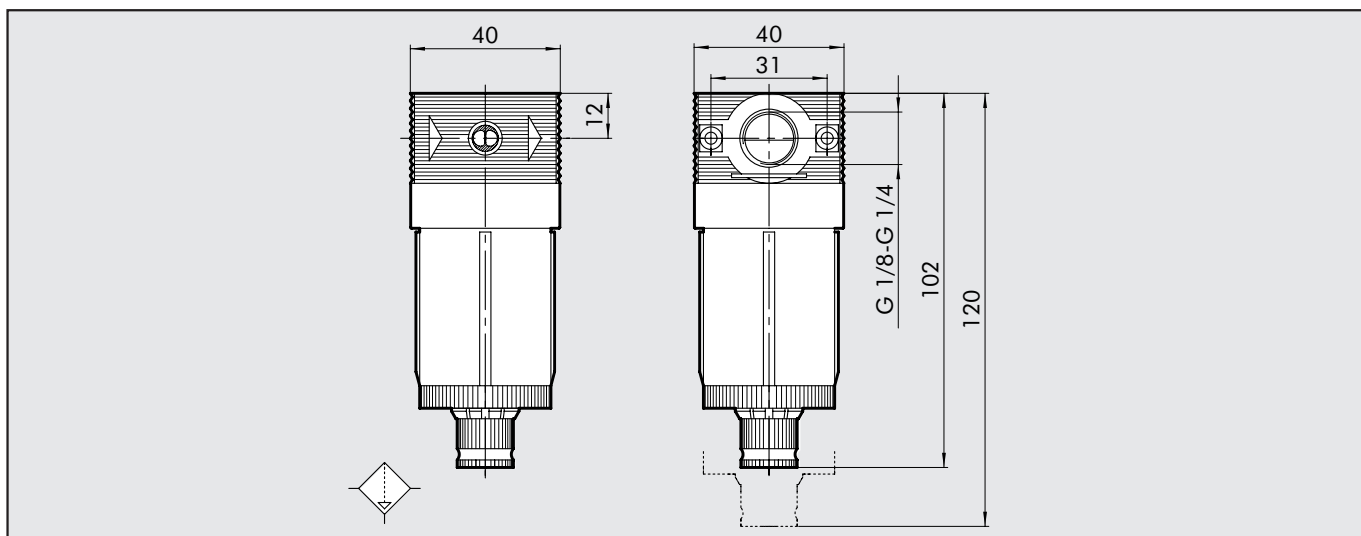
B = 4 bar - 0,4 MPa - 58 psi

C = 6 bar - 0,6 MPa - 87 psi

D = 8 bar - 0,8 MPa - 116 psi

E = 10 bar - 1 MPa - 145 psi

## DIMENSIONS



## KEY TO CODES

FIL	BIT	1/8	5 $\mu$ m	RMSA
ELEMENT	SIZE	THREADED PORT	DEGREE OF FILTRATION	CONDENSATE DRAIN
FIL	BIT	1/8 1/4	5 $\mu$ m 20 $\mu$ m 50 $\mu$ m	RMSA SAC

**RMSA:** Semi-auto drain

**SAC:** Automatic drain. Operates by depression – requires variable air take-offs.

## ORDERING CODES

Code	Description
5101001	FIL BIT 1/8 5 RMSA
5101004	FIL BIT 1/8 5 SAC
5101002	FIL BIT 1/8 20 RMSA
5101005	FIL BIT 1/8 20 SAC
5101003	FIL BIT 1/8 50 RMSA
5101006	FIL BIT 1/8 50 SAC
5201001	FIL BIT 1/4 5 RMSA
5201004	FIL BIT 1/4 5 SAC
5201002	FIL BIT 1/4 20 RMSA
5201005	FIL BIT 1/4 20 SAC
5201003	FIL BIT 1/4 50 RMSA
5201006	FIL BIT 1/4 50 SAC