

bit LUBRICATOR

Mini-lubricator with high lubrication stability.

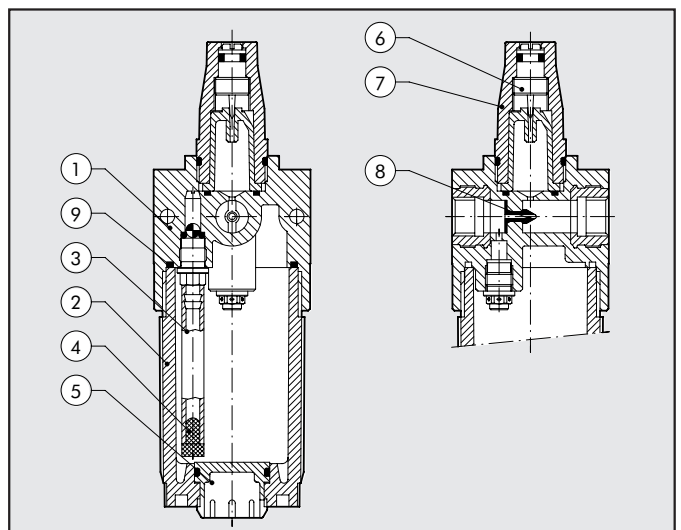
- Quantity of lubricant proportioned to air flow
- Activates at low flow rates
- Micrometric regulation of lubricant flow
- All-round oil level viewing

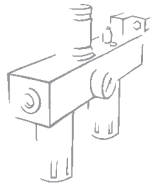


TECHNICAL DATA	LUB BIT 1/8"	LUB BIT 1/4"
	Threaded port	1/8"
Type of lubrication	Oil mist	
Bowl capacity	26.5 cm ³	
Lubricator version	Manual filling with the bowl disassembled	
Max. inlet pressure	MPa	
	bar	
	psi	
Flow rate at 6.3 bar (0.63 MPa-91 psi) ΔP 0.5 bar (0.05 MPa – 7 psi)	400 NI/min = 14 scfm	
Flow rate at 6.3 bar (0.63 MPa-91 psi) ΔP 1 bar (0.1 MPa – 14 psi)	710 NI/min = 25 scfm	
Fluid	Filtered compressed air	
Max temperature at 1 Mpa; 10 bar; 145 psi	°C	
	°F	
Weight	40 gr	
Wall fixing screws	M 4	
Mounting position	Vertical	

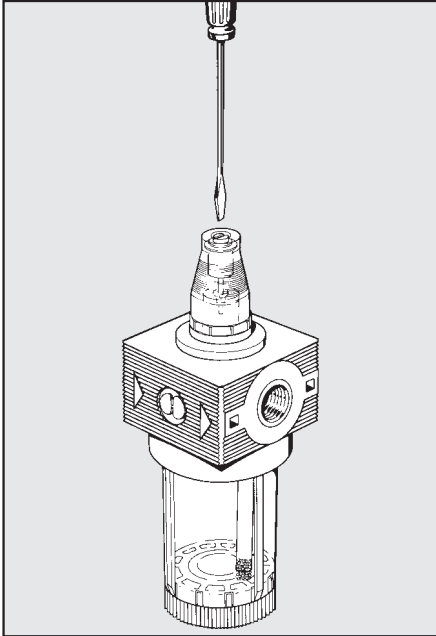
COMPONENTS

- ① Technopolymer body with OT58 threaded elements
- ② Clear technopolymer bowl
- ③ Rilsan oil suction pipe
- ④ Filter
- ⑤ Technopolymer plug
- ⑥ Oil flow adjustment regulation needle made of OT58 brass
- ⑦ Clear technopolymer cover
- ⑧ NBR Venturi diaphragm
- ⑨ NBR gaskets



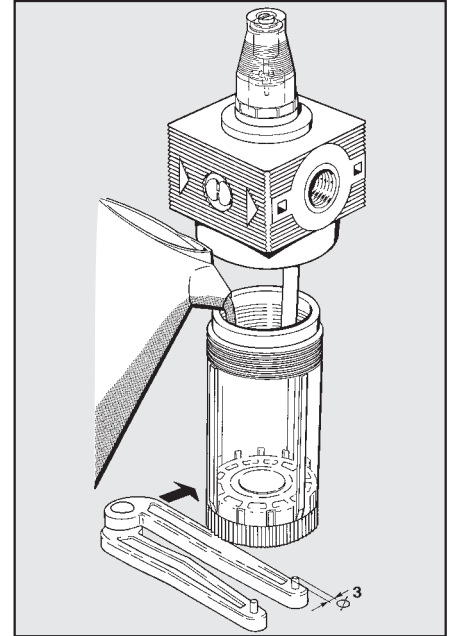


GENERAL RULES - USE AND MAINTENANCE



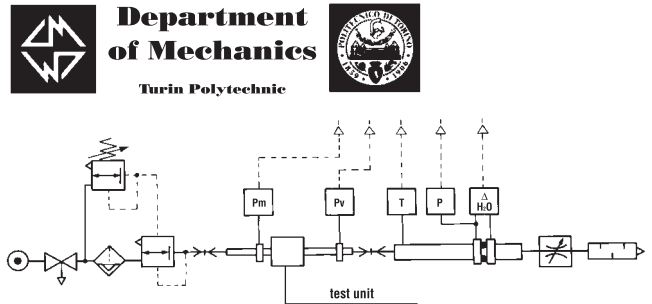
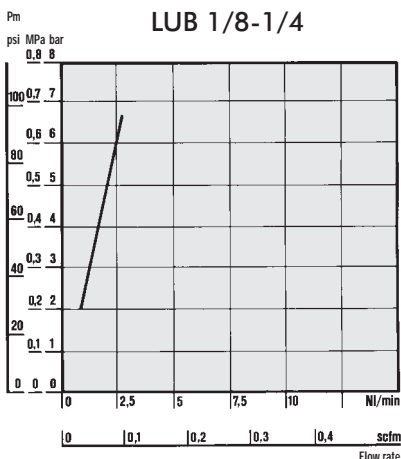
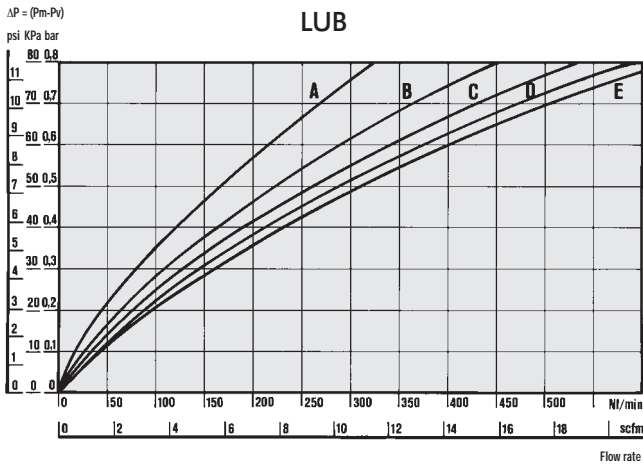
REGULATING LUBRICATION

- Use a no. 3 compass spanner to unscrew the bowl.
- Fit the lubricator as close as possible to the point of use
- Fill the bowl with oil before pressurizing the system
- Do not use cleaning oil, brake fluid or solvents in general
- For correct lubrication, set the drip rate to approximately 1 drop every 300-600 NI via the adjusting screw.
- Recommended lubricants:
ISO and UNI FD22
E.g. Energol HLP 22(BP) – Spinesso 22 (Esso) - Mobil DTE 22 (Mobil) – Tellus Oil 22 (Shell).



FILLING THE BOWL WITH OIL

FLOW CHARTS



• Flow tests carried out at the Department of Mechanics, Turin Polytechnic, using the computerized test bench following CETOP RP50R recommendations (ISO DIS 6358-2-approved) with ISO 5167 diaphragm gauge.

A = 2 bar - 0,2 MPa - 29 psi

B = 4 bar - 0,4 MPa - 58 psi

C = 6 bar - 0,6 MPa - 87 psi

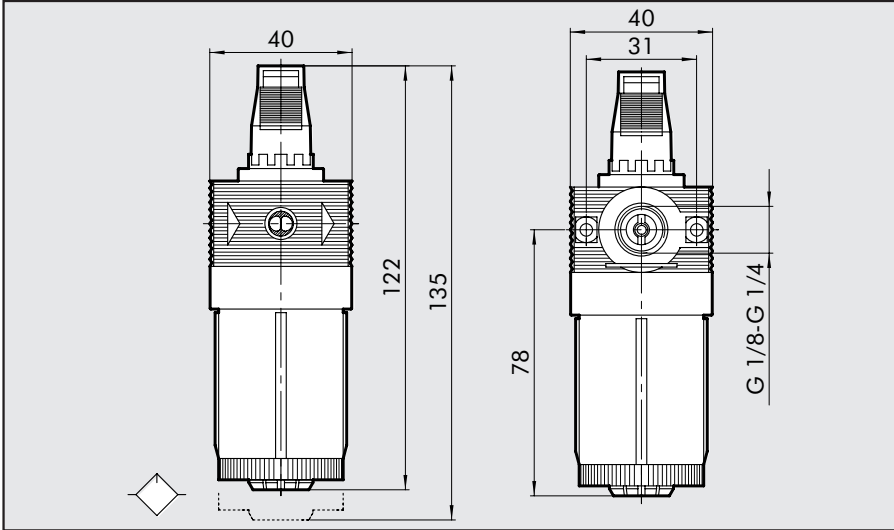
D = 8 bar - 0,8 MPa - 116 psi

E = 10 bar - 1 MPa - 145 psi

MINIMUM OPERATION FLOW CHARTS

Minimum flow tests were performed in compliance with ISO/DP 6301/2.

DIMENSIONS



ORDERING CODES

Code	Description
5103001	LUB BIT 1/8
5203001	LUB BIT 1/4

NOTES

Blank area for notes under the DIMENSIONS section.

NOTES

Blank area for notes under the ORDERING CODES section.