

FIL+REG+LUB bit

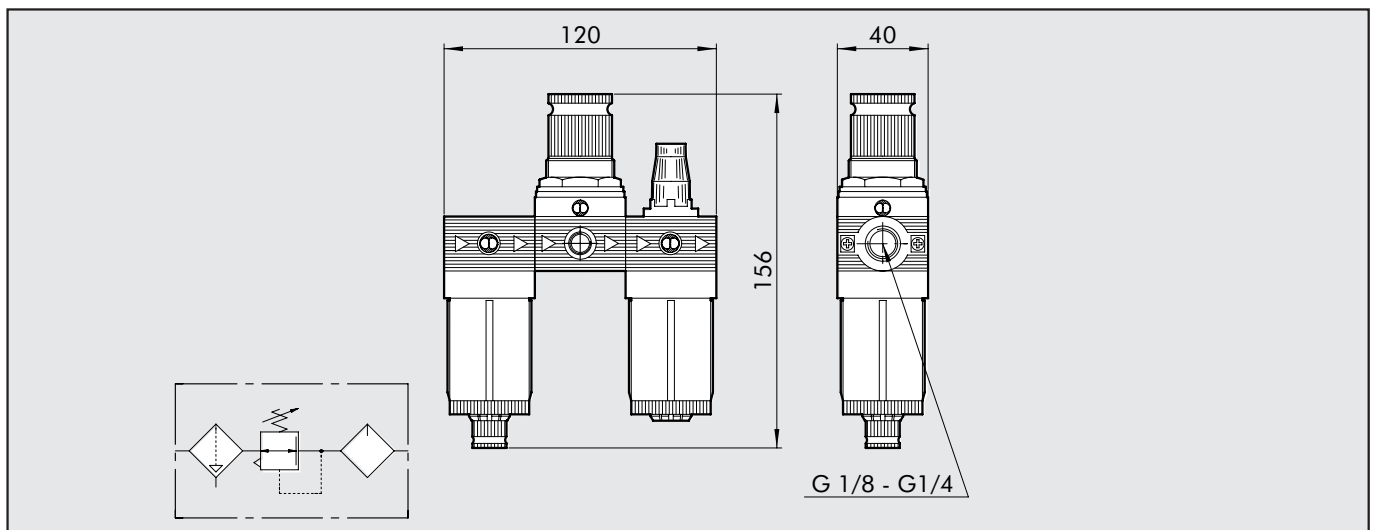
Complete mini-FRL unit with rolling diaphragm.

- High flow rates with reduced pressure drop
- Excellent degree of condensate separation
- Quantity of lubricant proportioned to air flow
- Activates at low flow rates



TECHNICAL DATA	F+R+L BIT 1/8"	F+R+L BIT 1/4"
	Threaded port	1/8"
Setting range	0 to 2 - 0 to 4 - 0 to 8 - 0 to 12	
Degree of filtration	5µm (yellow) 20µm (white) 50µm (blue)	
Type of lubrication	Oil mist	
Max. inlet pressure	MPa bar psi	
	1.3 13 188	
Flow rate at 6.3 bar (0.63 MPa-91 psi) ΔP 0.5 bar (0.05 MPa – 7 psi)	150 NI/min = 5.3 scfm	
Flow rate at 6.3 bar (0.63 MPa-91 psi) ΔP 1 bar (0.1 MPa – 14 psi)	280 NI/min = 10 scfm	
Fluid	Compressed air	
Max temperature at 1 MPa; 10 bar; 145 psi	°C °F	
	50 122	
Weight	gr	
	160	
Wall fixing screws	M 4	
Mounting position	Verticale	
Gauge port	G1/8'	
Notes	See chapters regarding individual elements	

DIMENSIONS



FR+LUB bit

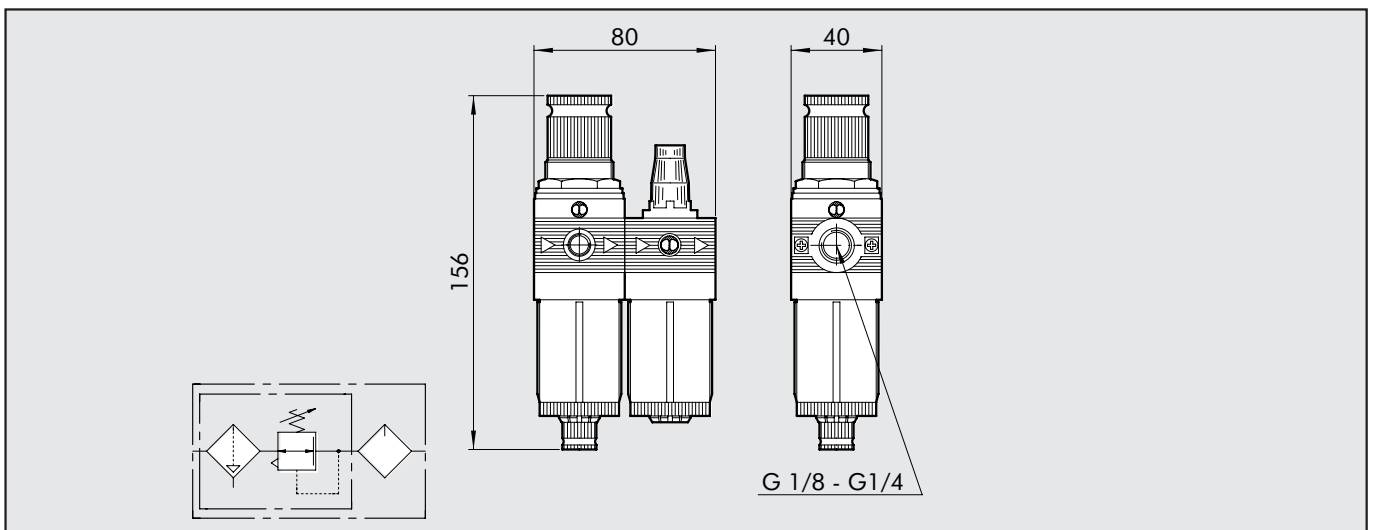
Compact FR+L unit with rolling diaphragm.

- High flow rates with reduced pressure drop
- Excellent degree of condensate separation
- Quantity of lubricant proportioned to air flow
- Activates at low flow rates



TECHNICAL DATA	FR+L BIT 1/8"	FR+L BIT 1/4"
	Threaded port	1/8"
Setting range	0 ÷ 2 - 0 ÷ 4 - 0 ÷ 8 - 0 ÷ 12	
Degree of filtration	5µm (yellow) 20µm (white) 50µm (blue)	
Type of lubrication	Oil mist	
Max. inlet pressure	MPa	1.3
	bar	13
	psi	188
Flow rate at 6.3 bar (0.63 MPa-91 psi) ΔP 0.5 bar (0.05 MPa - 7 psi)	140 NI/min = 5 scfm	
Flow rate at 6.3 bar (0.63 MPa-91 psi) ΔP 1 bar (0.1 MPa - 14 psi)	260 NI/min = 9.2 scfm	
Fluid	Compressed air	
Max temperature at 1 MPa; 10 bar; 145 psi	°C	50
	°F	122
Weight	gr	170
Wall fixing screws	M 4	
Mounting position	Vertical	
Gauge port	G 1/8"	
Notes	See chapters regarding individual elements	

DIMENSIONS



FIL+DEP bit

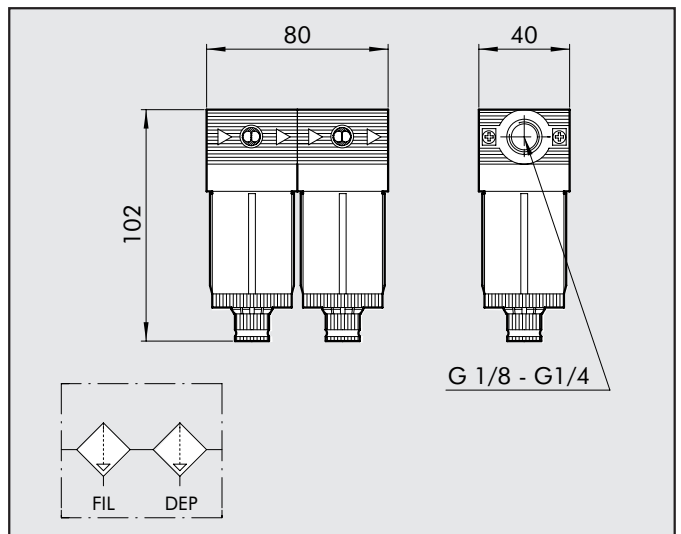
Compact filter + depurator unit for fine filtering followed by purification by coalescence.

- All-round condensate level viewing
- Condensate drainage - manual/semi-auto (RMSA) or automatic (SAC) on the filter
- 5 mm filter element.



TECHNICAL DATA		F+D BIT 1/8"	F+D BIT 1/4"
Threaded port		1/8"	1/4"
Degree of purification		5µ filter – 99.97% depurator at 0.01 µm	
Max. inlet pressure	MPa		1.3
	bar		13
	psi		188
Maximum suggested flow rate		please look at the flow rate curves at page 3.2/14	
Fluid		Compressed air	
Max temperature	°C		50
	°F		122
Weight	gr		110
Mounting position		Vertical	
Condensate drain		Manual – Semi-auto (RMSA) - Automatic (SAC)	
Notes		See chapters regarding individual elements	

DIMENSIONS



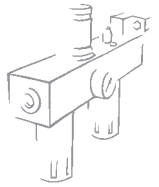
KEY TO CODES

F+D	BIT	1/4	5µm	RMSA
ELEMENT	SIZE	THREADED PORT	DEGREE OF FILTRATION	CONDENSATE DRAIN
F+D	BIT	1/8 1/4	5µm	RMSA SAC

ORDERING CODES

Code	Description
5114001	F+D BIT 1/8 5 RMSA-RMSA
5114002	F+D BIT 1/8 5 SAC-RMSA
5214001	F+D BIT 1/4 5 RMSA-RMSA
5214002	F+D BIT 1/4 5 SAC-RMSA

RMSA: Manual/semi-auto drain
SAC: Automatic drain. Operates by depression – requires variable air take-offs.



FIL+LUB bit

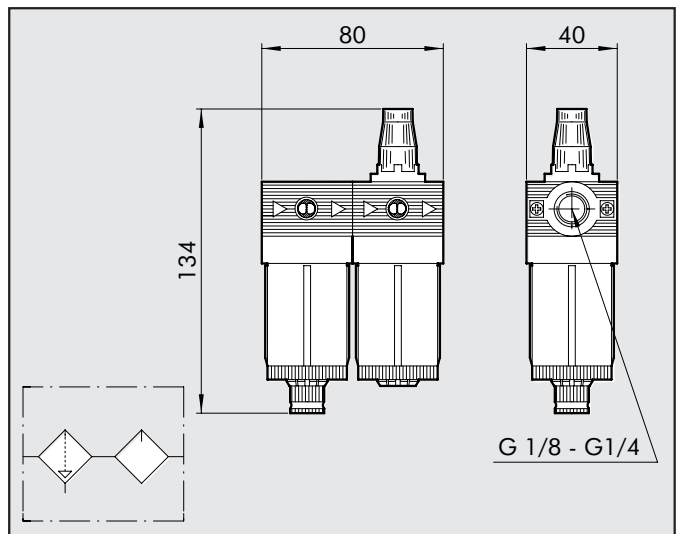
Compact filter + lubricator unit with different degrees of filtration and high lubrication stability.

- Excellent degree of condensate separation
- Semi-automatic and automatic condensate drainage
- Lubrication activates at low flow rates
- All-round oil and condensate level viewing



TECHNICAL DATA		F+L BIT 1/8"	F+L BIT 1/4"
Threaded port		1/8"	1/4"
Degree of filtration		5µm (yellow) 20µm (white)	50µm (blue)
Max. inlet pressure	MPa	1.3	
	bar	13	
	psi	188	
Flow rate at 6 bar (0.6 MPa-87 psi)	Nl/min	300	
ΔP 0.5 bar (0.05 MPa – 7 psi)	scfm	10.6	
Flow rate at 6 bar (0.6 MPa-87 psi)	Nl/min	600	
ΔP 1 bar (0.1 MPa – 14 psi)	scfm	21.2	
Fluid		Compressed air	
Max temperature	°C	50	
at 1 MPa; 10 bar; 145 psi	°F	122	
Weight	gr	90	
Wall fixing screws		M 4	
Mounting position		Vertical	
Notes		See chapters regarding individual elements	

DIMENSIONS



3

KEY TO CODES

F+L	BIT	1/8	5µm	RMSA
ELEMENT	SIZE	THREADED PORT	DEGREE OF FILTRATION	CONDENSATE DRAIN
F+L	BIT	1/8 1/4	5µm 20µm 50µm	RMSA SAC

ORDERING CODES

Code	Description
5113001	F+L BIT 1/8 5 RMSA
5113004	F+L BIT 1/8 5 SAC
5113002	F+L BIT 1/8 20 RMSA
5113005	F+L BIT 1/8 20 SAC
5113003	F+L BIT 1/8 50 RMSA
5113006	F+L BIT 1/8 50 SAC
5213001	F+L BIT 1/4 5 RMSA
5213004	F+L BIT 1/4 5 SAC
5213002	F+L BIT 1/4 20 RMSA
5213005	F+L BIT 1/4 20 SAC
5213003	F+L BIT 1/4 50 RMSA
5213006	F+L BIT 1/4 50 SAC

RMSA: Manual/semi-auto drain
SAC: Automatic drain. Operates by depression – requires variable air take-offs.