

ACCESSOIRE PRESSURE SWITCHES

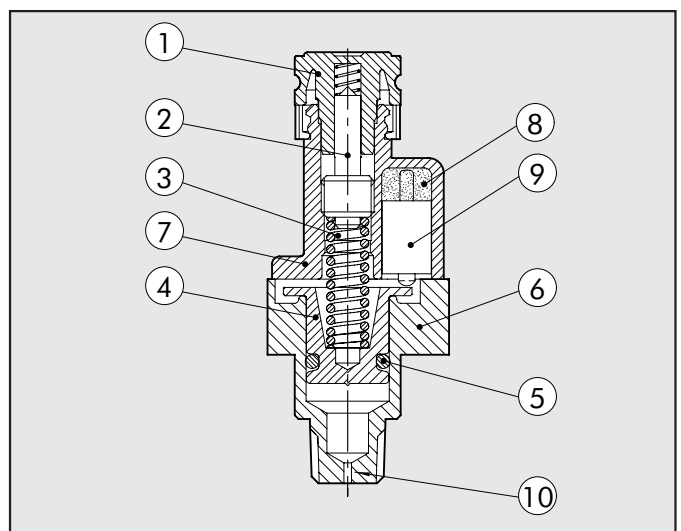
This type of pressure switch features a high degree of miniaturisation and a modern attractive design. It can be installed in any position and also mounted onto a wall by means of two transversal holes. In order to reduce wiring times, it is supplied ready assembled with a 2-metre electric cable or an M8 connector with a 300-mm cable. The contact is the switching type, which means it can be normally open or normally closed. A knurled push-lock handle is provided for regulation



| TECHNICAL DATA | | |
|--|-----|--|
| Adjustable pressure interval | bar | 0.5 ÷ 10 |
| Hysteresis (not adjustable) | bar | from 0.4 to 0.8 (See diagram) |
| Maximum pressure | bar | 15 |
| | MPa | 1.5 |
| | psi | 217 |
| Operating temperature range at: 1 MPa; 10 bar; 145 psi | °C | 50 |
| | °F | 122 |
| Lower threaded port | | R 1/8" |
| Maximum current | A | 2 |
| Maximum voltage | V | 250 |
| Outside diameter of cable | mm | 4.9 |
| Number of wires and cross section | | 3x0.5 mm ² |
| Contacts | | Normally-Open (NO) and Normally-Closed (NC) |
| Protection | | IP65 |
| Number of switchings | | 5x10 ⁶ |
| Fluid | | Filtered lubricated or unlubricated compressed air. Lubrication, if used, must be continuous |
| Mounting position | | In any position |
| Weight | Kg | 0.121 |

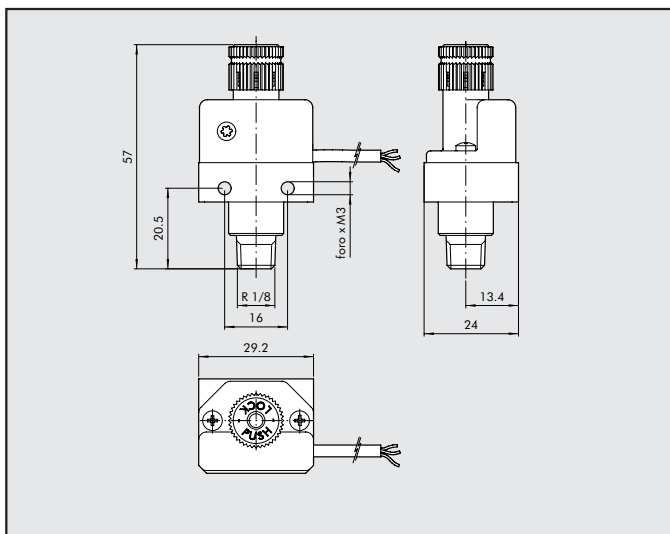
COMPONENTS

- ① Technopolymer adjusting push-lock handle
- ② Brass adjusting screw
- ③ Steel piston spring
- ④ Brass piston
- ⑤ NBR gasket
- ⑥ Body made of anodized aluminium
- ⑦ Technopolymer pressure switch body
- ⑧ Resin finish for IP65
- ⑨ Electrical contact
- ⑩ Choke to reduce peaks in pressure



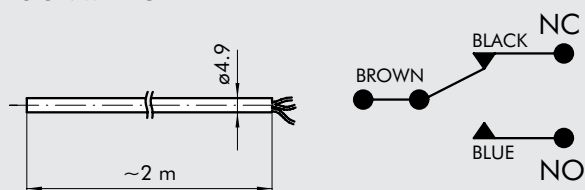


DIMENSIONS

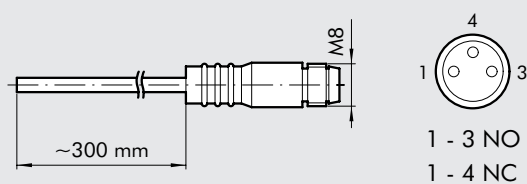


WIRING DIAGRAM

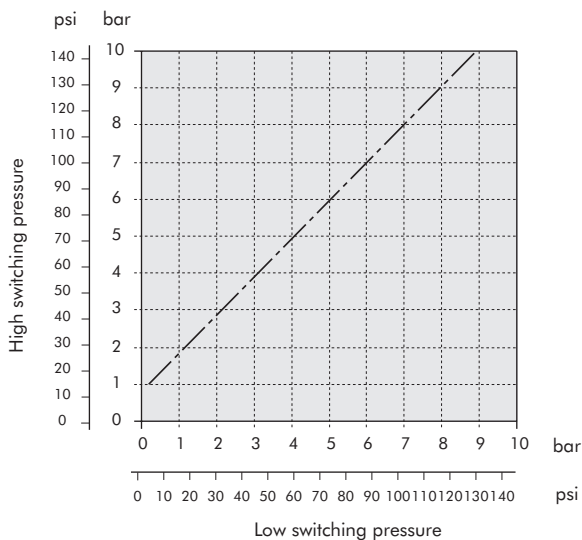
VERSION WITH CABLE



VERSION WITH M8 CONNECTOR



HYSTERESIS GRAPH

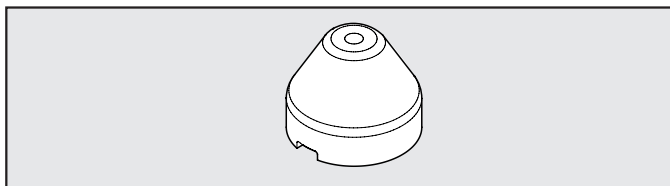


ORDERING CODES

| Code | Description |
|---------|--|
| 9000401 | ACC. - 1/8 2A NO/NC PRESSURE SWITCH, 2-METRE CABLE |
| 9000402 | ACC. - 1/8 2A NO/NC PRESSURE SWITCH, M8 CONNECTOR |

ACCESSORIES

SECURITY KNOB



| Code | Description |
|---------|--------------------|
| 9200703 | ACC. SECURITY KNOB |

NOTE: Pull outwards to remove the knob from the pressure switch on the unit. Insert the security knob and regulate the pressure switch. Then press the handle firmly to lock it in position. If the pressure switch needs to be reset, remove the security knob by forcing it laterally with a screwdriver.

NOTES

