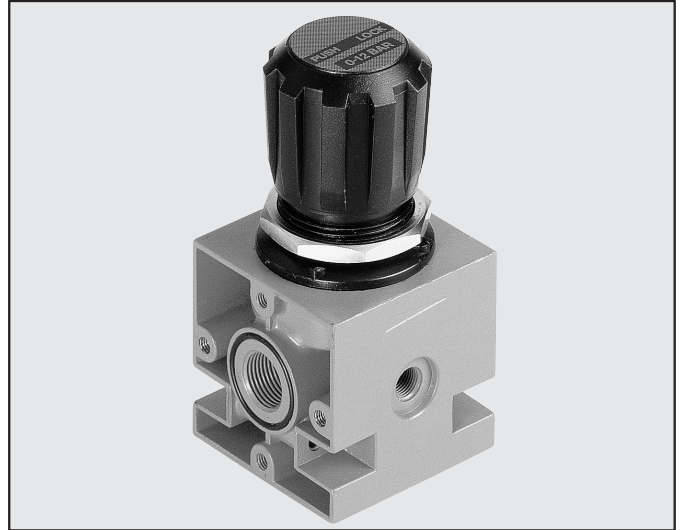


Newdeal REGULATOR

Highly reliable, heavy-duty piston-operated regulator.

- Stability of the set pressure as the upstream pressure varies
- Standard overpressure blowoff valve
- Can be fixed to the wall using the holes in the sides of the body.

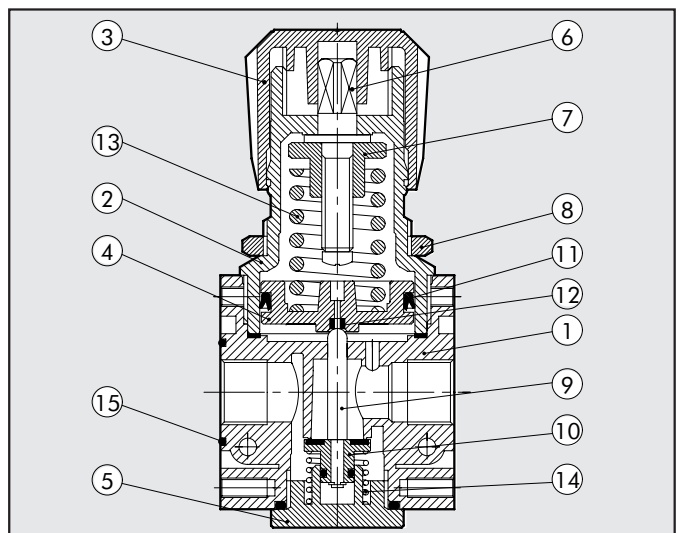


TECHNICAL DATA	REG. ND 1/4"	REG. ND 3/8"	REG. ND 1/2"	REG. ND 3/4"	REG. ND 1"
Threaded port	1/4"	3/8"	1/2"	3/4"	1"
Setting range	bar 0 to 4 - 0 to 8 - 0 to 12				
Max. inlet pressure	MPa 1.8				
	bar 18				
	psi 261				
Flow rate at 6.3 bar (0.63 MPa-91 psi)	NI/min 200	1100		2500	
ΔP 0.5 bar (0.05 MPa - 7 psi)	scfm 7	39		89	
Flow rate at 6.3 bar (0.63 MPa-91 psi)	NI/min 650	2500		4500	
ΔP 1 bar (0.1 MPa - 14 psi)	scfm 23	89		160	
Fluid	Filtered, lubricated or unlubricated compressed air. Lubrication, if used, must be continuous				
Max temperature at 1 MPa; 10 bar; 145 psi	°C 50°				
	°F 122°				
Weight	Kg 0.3		0.8		1.5
Wall fixing screws	M4x40		M4x55		M6x75
Mounting	In any position				
Gauge port	G 1/8"	G 1/8"	G 1/8"	1/4"	1/4"
Notes:	The regulator pressure must always be set upwards. For increased sensitivity, use a pressure regulator with a rated pressure as close as possible to the required value. Do not take off air from gauge ports.				

3

COMPONENTS

- ① Zamak body
- ② Technopolymer bell
- ③ Technopolymer knob
- ④ Technopolymer piston rod
- ⑤ Technopolymer plug
- ⑥ OT58 brass adjusting screw
- ⑦ OT58 brass nut
- ⑧ Ring nut : technopolymer (ND 1/4-3/8-1/2)
brass (ND 3/4-1)
- ⑨ OT brass rod
- ⑩ Valve with NBR vulcanized gasket
- ⑪ NBR lip seal
- ⑫ NBR relieving seal
- ⑬ Steel adjusting spring
- ⑭ Steel valve compression spring
- ⑮ NBR gaskets

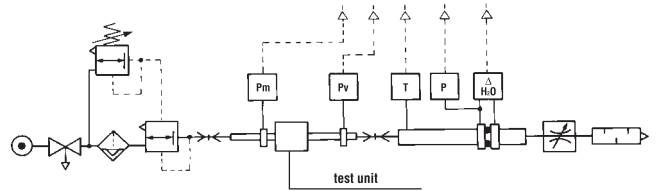
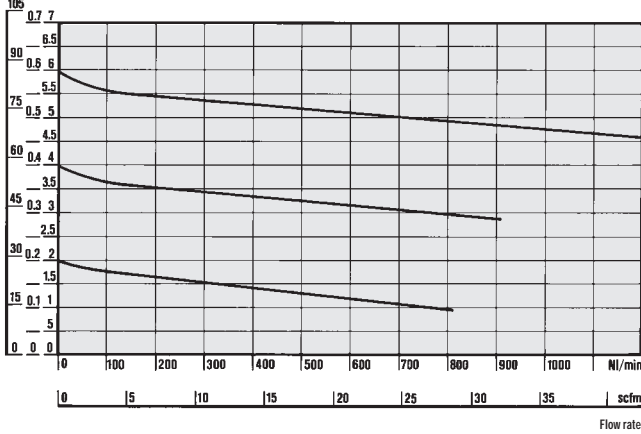


FLOW CHARTS

REG 1/4

Pm = 0,7 MPa; 7 bar; 102 psi
Inlet pressure

psi MPa bar

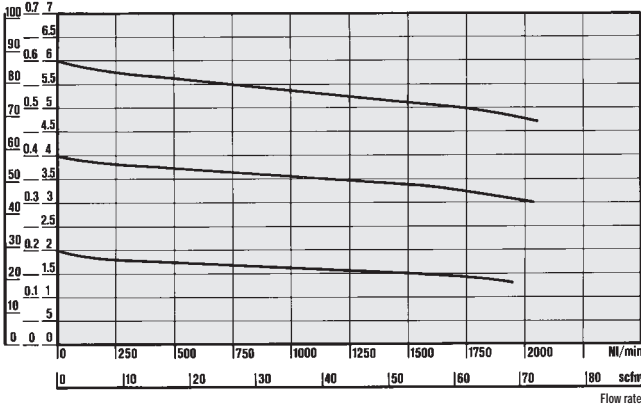


- Flow tests carried out at the Department of Mechanics, Turin Polytechnic, using the computerized test bench following CETOP RP50R recommendations (ISO DIS 6358-2-approved) with ISO 5167 diaphragm gauge.

REG 3/8 - 1/2

Pm = 0,7 MPa; 7 bar; 102 psi
Inlet pressure

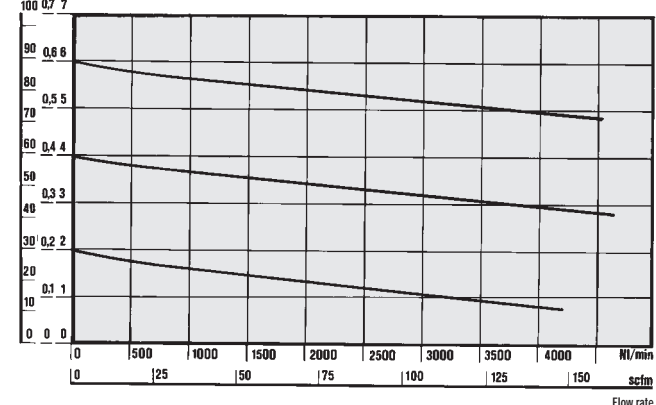
psi MPa bar



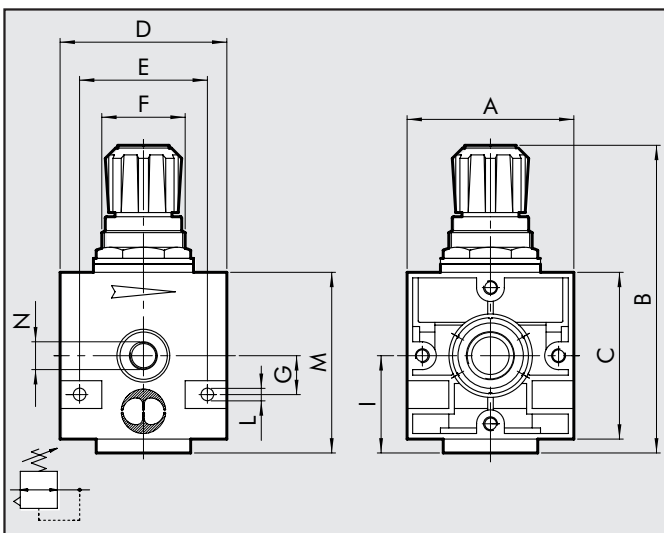
REG 3/4 - 1"

Pm = 0,7 MPa; 7 bar; 102 psi
Inlet pressure

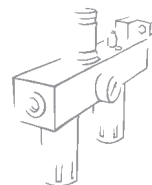
psi MPa bar



DIMENSIONS



	G 1/4	G 3/8	G 1/2	G 3/4	G 1"
A	42	60			80
B	94	130			184
C	42	60			80
D	42	60			80
E	32	46			66
F	30x1.5	38x2			55x2
G	10	14			22
I	25	35			47
L	M4 hole	M4 hole			M6 hole
M	49	70			94
N	1/8	1/8			1/4



KEY TO CODES

REG	1/4	04
ELEMENT	THREADED PORT	SETTING RANGE
REG	1/4 3/8 1/2 3/4 1	04 08 012

ORDERING CODES

Code	Description
1202001	REG 1/4 04
1202002	REG 1/4 08
1202003	REG 1/4 012
1202004	REG 1/4 02
1302001	REG 3/8 04
1302002	REG 3/8 08
1302003	REG 3/8 012
1402001	REG 1/2 04
1402002	REG 1/2 08
1402003	REG 1/2 012
1502001	REG 3/4 04
1502002	REG 3/4 08
1502003	REG 3/4 012
1602001	REG 1 04
1602002	REG 1 08
1602003	REG 1 012

NOTES

Blank area for notes, consisting of multiple horizontal lines.

NOTES

Blank area for notes, consisting of multiple horizontal lines.