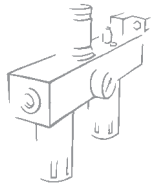


New deal REGULATOR- REGULATOR WITH V3V 3/4" and 1"



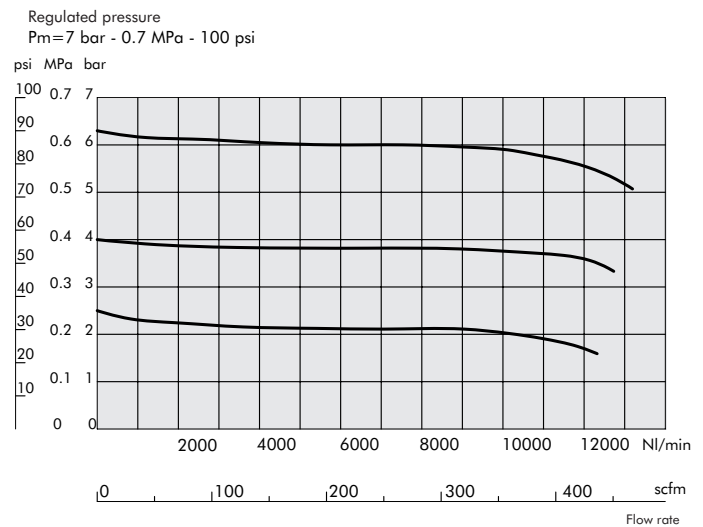
Piloted regulator with integrated function, manual, electropneumatic or pneumatic stop valve as required. It performs two functions in the space usually occupied by a single module, which ensures a high flow rate at all P values including low ones. Extremely quick responses in both discharge and feed. The integrated pilot regulator is available with controlled leak.



TECHNICAL DATA		3/4"	1"
Threaded port	G	3/4"	1"
Setting range	bar	0 ÷ 2 - 0 ÷ 4 - 0 ÷ 8 - 0 ÷ 12	
*Max. inlet pressure	MPa	1.3	
	bar	13	
	psi	188	
Flow rate at 6.3 bar (0.63 MPa-91 psi)	NI/min	12000	
ΔP 0.5 bar (0.05 MPa ÷ 7 psi)	scfm	423	
Flow rate at 6.3 bar (0.63 MPa-91 psi)	NI/min	13000	
ΔP 1 bar (0.1 MPa ÷ 14 psi)	scfm	460	
Fluid		Lubricated or unlubricated filtered air. If lubrication is used, it must be continuous.	
Drain flow rate at 6 bar (0.6 MPa ÷ 87 psi)	NI/min	1800	
	scfm	64	
Temperature range	°C	-10° ÷ +50°C	
(1 MPa ÷ 145 psi)	°F	14°F ÷ 122°F	
Weight	Kg	1.7	
Wall fixing screws		M6x75	
Position of montage		In any position	

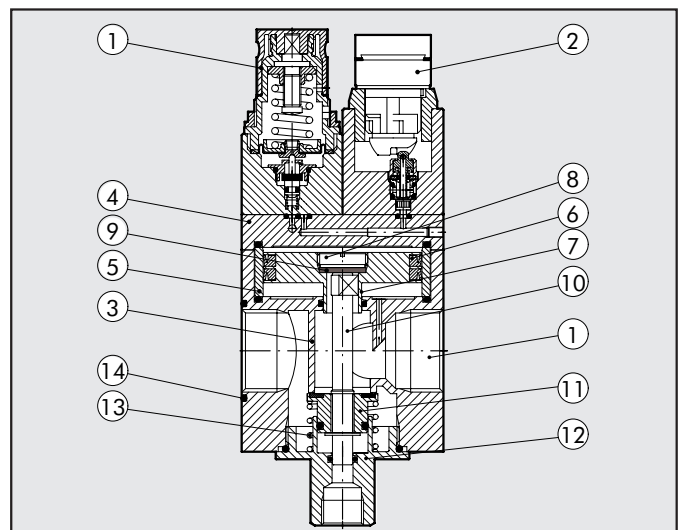
*Version Reg+V3V Cnomo (1 Mpa - 10bar - 145psi)
Version Reg with solenoid (0.8 Mpa - 8 bar - 116 psi)

FLOW CHARTS

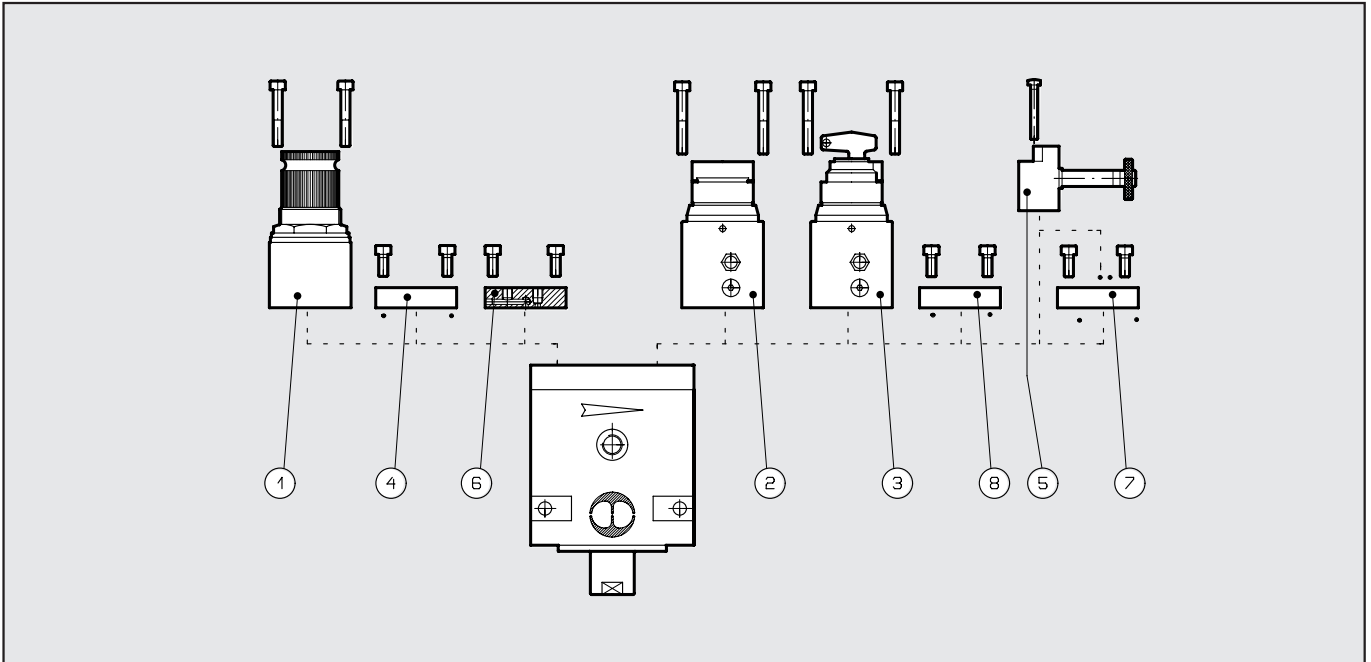


COMPONENTS

- ① Pilot Reg. sub-assembly
- ② Manual V3V control sub-assembly
- ③ Aluminium regulator body
- ④ Aluminium upper plate
- ⑤ Aluminium spacer
- ⑥ NBR lip seal
- ⑦ Aluminium Ø 63 piston rod
- ⑧ Cap for OT 58 brass plain gasket
- ⑨ NBR plain gasket
- ⑩ OT 58 brass rod
- ⑪ OT 58 brass valve
- ⑫ Aluminium lower cap
- ⑬ Steel valve spring
- ⑭ NBR gaskets



ASSEMBLY OPTIONS



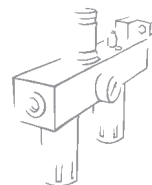
This modular system makes it possible to make the following combinations:

- A) Regulator with pilot regulator ① or remote control ⑥, the end plate is mounted on the right-hand side ⑧.
- B) V3V with manual lever-operated control ② or key control ③ or solenoid CNOMO ⑤, the end plate is mounted on the left-hand side ④.
- C) Regulator + V3V is the result of the free combination of the versions specified above.

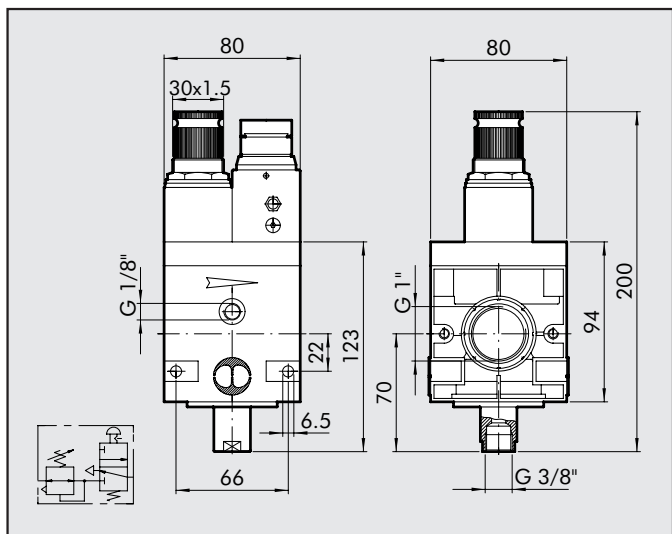
TECHNICAL DATA

Code	Description
① 9640501-02-03-04	Pilot regulator kit
② 9640401	V3V manual lever-operated control kit
③ 9640301	V3V manual key-operated control kit
④ 9640101	End plate kit for V3V
⑤ 9453922	V3V ELPN CNOMO bistable control kit
⑤ 9453920	V3V ELPN CNOMO monostable control kit
⑥ 9640001	Remote control plate kit
⑦ 9640201	Plate kit to mount Cnomo rotated by 180°
⑧ 9640101	End plate kit for piloted regulator

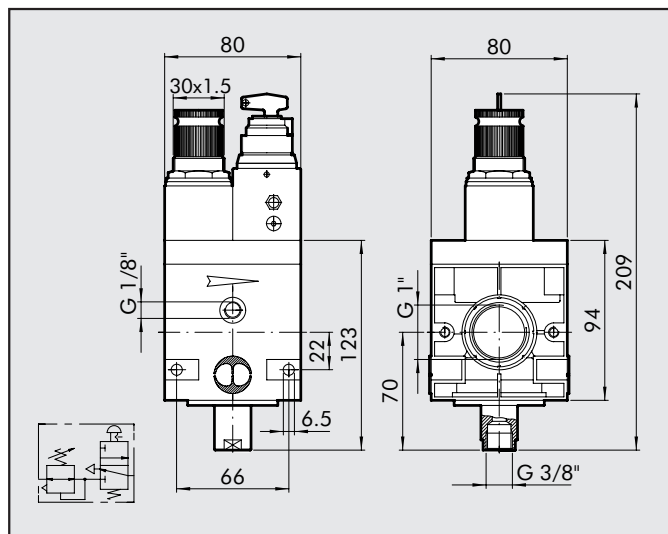
NOTES



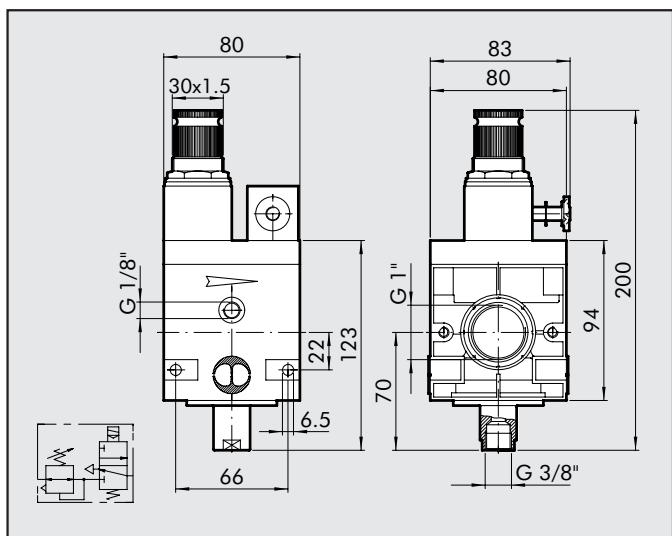
REG P + V3V MANUAL



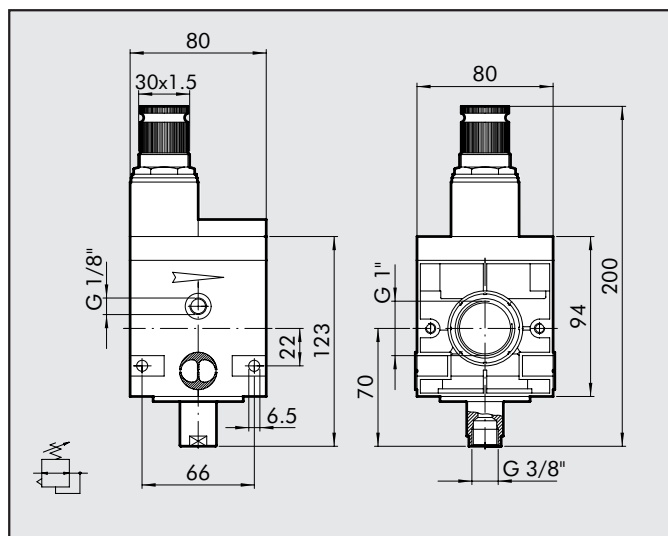
REG P + V3V KEY



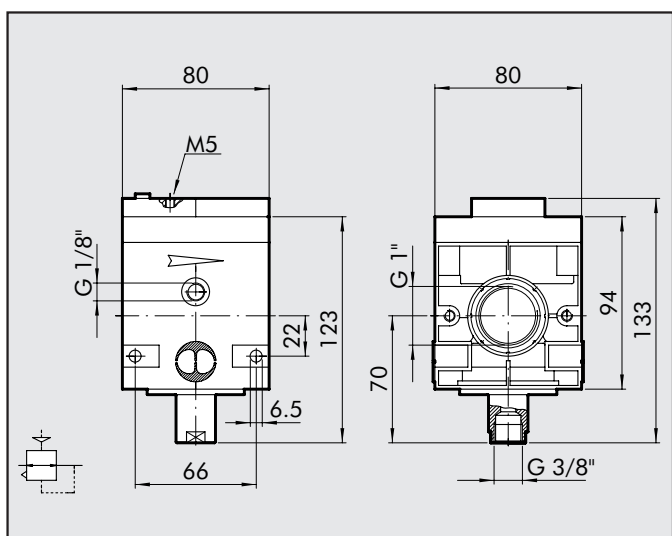
REG P + V3V ELPN CNOMO



REG P



REG P 00



KEY TO CODES

RV3V	1	02	ELPN	RV3V: Regulator with built-in shut-off valve. ELPN: CNOMO solenoid REGP: Piloted regulator
ELEMENT	THREADED PORT	SETTING RANGE	ELPN V3V CONTROL	
RV3V REGP	1" 3/4"	00 02 04 08 012	ELPN KEY MANUAL	

ORDERING CODES

Code	Description	Code	Description
1519001	REGP 3/4 00	1619001	REGP 1 00
1518001	REGP 3/4 02	1618001	REGP 1 02
1518002	REGP 3/4 04	1618002	REGP 1 04
1518003	REGP 3/4 08	1618003	REGP 1 08
1518004	REGP 3/4 012	1618004	REGP 1 012
1517001	RV3V 3/4 02 ELPN	1617001	RV3V 1 02 ELPN
1517002	RV3V 3/4 04 ELPN	1617002	RV3V 1 04 ELPN
1517003	RV3V 3/4 08 ELPN	1617003	RV3V 1 08 ELPN
1516101	RV3V 3/4 02 KEY	1616101	RV3V 1 02 KEY
1516102	RV3V 3/4 04 KEY	1616102	RV3V 1 04 KEY
1516103	RV3V 3/4 08 KEY	1616103	RV3V 1 08 KEY
1516104	RV3V 3/4 012 KEY	1616104	RV3V 1 012 KEY
1516001	RV3V 3/4 02 MANUAL	1616001	RV3V 1 02 MANUAL
1516002	RV3V 3/4 04 MANUAL	1616002	RV3V 1 04 MANUAL
1516003	RV3V 3/4 08 MANUAL	1616003	RV3V 1 08 MANUAL
1516004	RV3V 3/4 012 MANUAL	1616004	RV3V 1 012 MANUAL

NOTES
