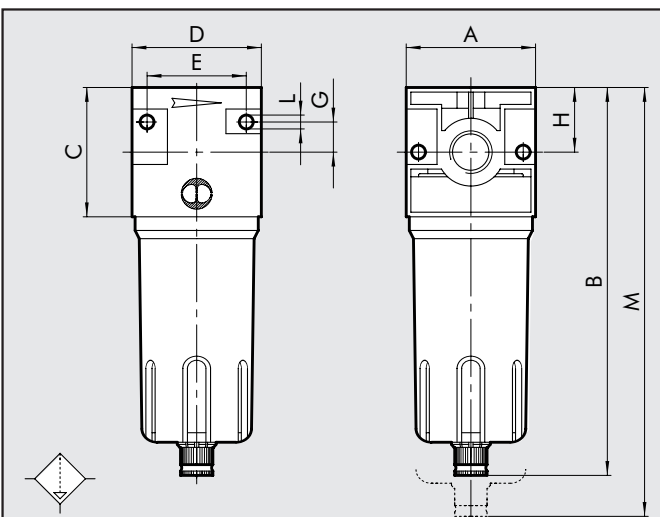


Newdeal DEPURATOR

- Oil-proof dehydrator with coalescing cartridge
- Metal bowl with external viewing
- Manual/semi-auto or automatic condensate drain



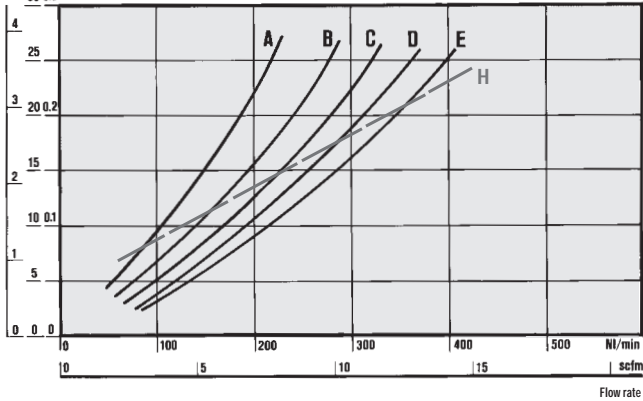
TECHNICAL DATA	DEP ND 3/8"	DEP ND 1/2"
Threaded port	3/8"	1/2"
Degree of depuration	99,97% at 0,01 μm	
Max. inlet pressure	1.8 MPa - 18 bar - 261 psi	
Maximum suggested flow rate	please look at the flow rate curves at page 3.2/24	
Fluid	Filtered 4 μm compressed air	
Max temperature at 1 MPa; 10 bar; 145 psi	°C 50°	
	°F 122°	
Weight	Kg 0.9	
Wall fixing screws	M4x55	
Mounting position	Vertical	
Condensate drain	Manual/semi-automatic (RMSA) - Automatic (RA o SAC)	
Bowl capacity	cm ³ 45	
Notes:	It is advisable to mount a 4 μ filter upstream the dehydrator acting as a rough filter.	
Note on use	The maximum inlet pressure for the version with RA automatic condensate drainage must not exceed 10 bar.	

DIMENSIONS	G 3/8	G 1/2
		
A	60	
B	180	
C	60	
D	60	
E	46	
G	14	
H	30	
L	4M hole	
M	230	

FLOW CHARTS

D 3/8 - 1/2

$\Delta P = (P_m - P_v)$
psi KPa bar
30 0.3



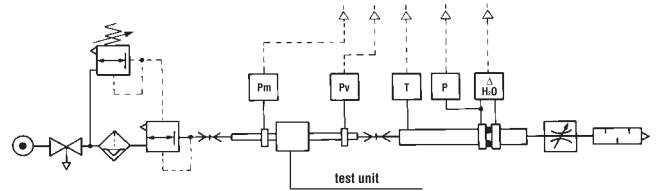
(H) Maximum flow rate recommended for optimal operation.

KEY TO CODES

DEP ELEMENT	3/8 THREADED PORT	RMSA CONDENSATE DRAIN
DEP	3/8	RMSA
	1/2	RA
		SAC

RMSA: Manual/semi-auto drain
RA: Automatic drain. Float-type operation irrespective of the pressure and flow rate.
SAC: Automatic drain. Operates by depression – requires variable air take-offs.

NOTES



• Flow tests carried out at the Department of Mechanics, Turin Polytechnic, using the computerized test bench following CETOP RP50R recommendations (ISO DIS 6358-2-approved) with ISO 5167 diaphragm gauge.

- (A) = 2 bar - 0,2 MPa - 29 psi
- (B) = 4 bar - 0,4 MPa - 58 psi
- (C) = 6 bar - 0,6 MPa - 87 psi
- (D) = 8 bar - 0,8 MPa - 116 psi
- (E) = 10 bar - 1 MPa - 145 psi

ORDERING CODES

Code	Description
1322002	DEP 3/8 RMSA TMV
1322003	DEP 3/8 RA TMV
1322004	DEP 3/8 SAC
1422002	DEP 1/2 RMSA TMV
1422003	DEP 1/2 RA TMV
1422004	DEP 1/2 SAC

NOTES