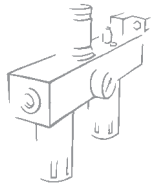


Newdeal AUTOMATIC CONDENSATE DRAIN



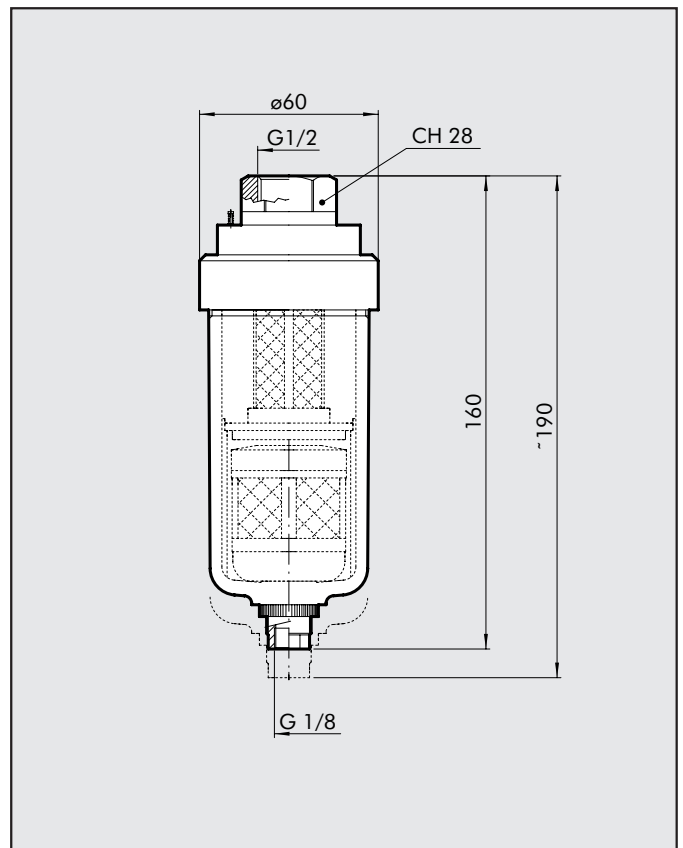
System supply condensate drain:

- All-round condensate level viewing
- Automatic drain from inside the bowl
- Axial coupling



TECHNICAL DATA		SCAL ND 1/2"
Threaded port		G 1/2"
Maximum working temperature	°C	50
at 1 MPa; 10 bar; 145 psi	°F	122
Maximum admissible pressure	MPa	1.3
	bar	13
	psi	188
Wall fixing screws		M6x75
Weight	[kg]	0.5

DIMENSIONS



3

ORDERING CODES		NOTES
Code	Description	
4589003	AUTOM. COND. DRAIN 1/2 IN LINE	