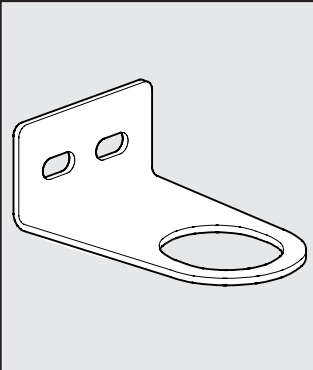


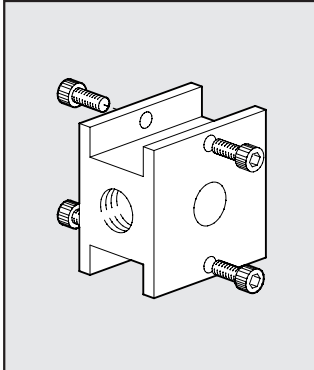
Newdeal ACCESSORIES

MOUNTING BRACKET FOR REG.



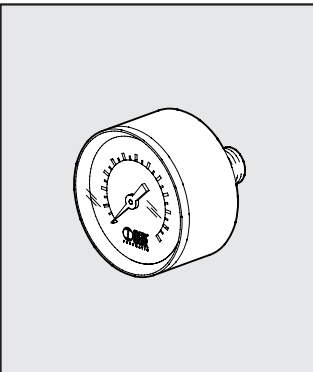
Code	Description
9200701	ACC.SF 1/4
9400701	ACC.SF 1/2

REGULATOR CONNECTION BLOCK



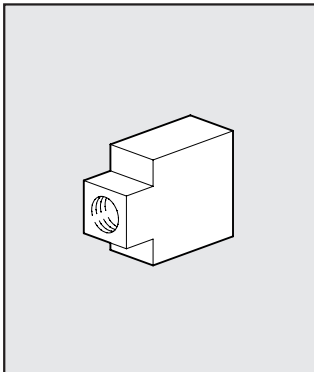
Code	Description	Weight [g]
9200501	ACC.BC 1/4 BLOCK	90
9400501	ACC.BC 1/2 BLOCK	244
9600501	ACC.BC 3/4 BLOCK	428

PRESSURE GAUGE



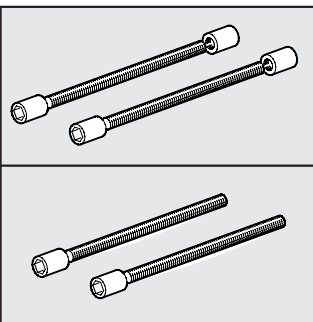
Code	Description
9700102	ACC.M 40 1/8 04
9700101	ACC.M 40 1/8 12
9800102	ACC.M 50 1/8 04
9800101	ACC.M 50 1/8 12
9900101	ACC.M 63 1/4 12

SPACERS FOR FRL WALL MOUNTING



Code	Description
9200601	ACC.DF 1/4 SPACER
9400601	ACC.DF 1/2 SPACER
9600601	ACC.DF 3/4 SPACER

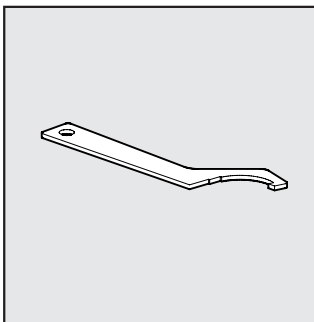
TIE RODS



Code	Description
9200901	ACC.T 1/4 F+L TIE RODS
9400901	ACC.T 1/2 F+L TIE RODS
9600901	ACC.T 3/4 F+L TIE RODS

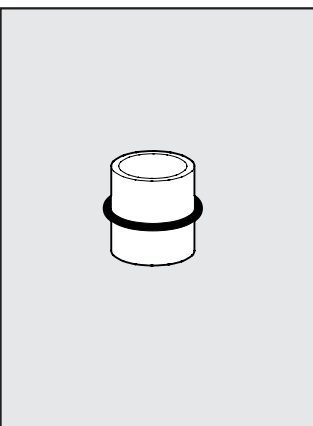
9604402 ACC. T 3/4-1"
V3V+F+R TIE RODS

DISASSEMBLY TOOL FOR BOWL



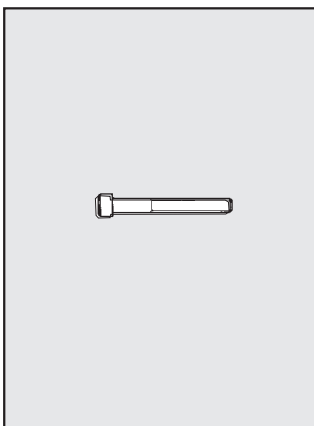
Code	Description
9601501	ACC. DISASSEMBLOY KEY

ADAPTER FOR V3V



Code	Description
9201001	ACC. ADAPT. X V3V+FR 1/4
9401001	ACC. ADAPT. X V3V+D 3/8
9401002	ACC. ADAPT. X V3V+D 1/2
9601001	ACC. ADAPT. X V3V+F 1"

ASSEMBLY SCREWS (2 PIECES)

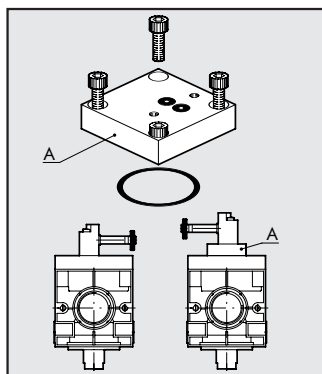


Code	Description
9250001	ACC.CVA 1/4 SCREW M4x40
9250002	ACC.CVA 1/4 SCREW M4x82 V3V+F+R
9450001	ACC.CVA 1/2 SCREW M5x55
9450002	ACC.CVA 3/8 1/2 SCREW M5x60 V3V+R
9450003	ACC.CVA 3/8 1/2 SCREW M5x120 V3V+F+R
9650001	ACC.CVA 3/4 SCREW M6X70



REVERSE PLATE CNOMO CONTROL FOR V3V 3/4"-1"

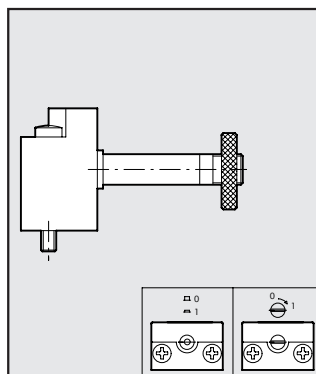
Code Description Weight [g]



9640201 REVERSE PLATE KIT 86
V3V CNOMO
CONTROL

CNOMO CONTROL FOR V3V 3/4"-1"

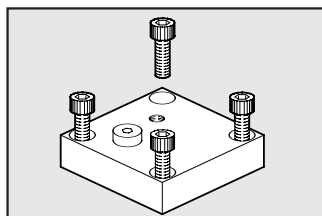
Code Description



9453920 ELPN CNOMO CONTROL KIT,
MANUAL MONOSTABLE
9453922 ELPN CNOMO CONTROL KIT,
MANUAL BISTABLE

PLATE FOR REMOTE CONTROL FOR V3V 3/4"-1"

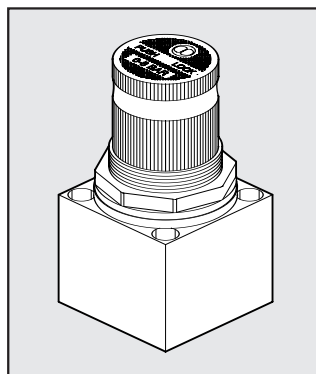
Code Description Weight [g]



9640001 REMOTE CONTROL 84
PLATE KIT

PILOT REGULATOR

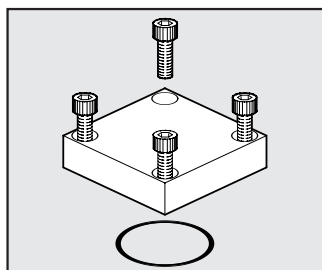
Code Description Weight [g]



9640501 02 PILOT 220
REGULATOR KIT
9640502 04 PILOT 220
REGULATOR KIT
9640503 08 PILOT 220
REGULATOR KIT
9640504 012 PILOT 220
REGULATOR KIT

REG OR V3V END PLATE

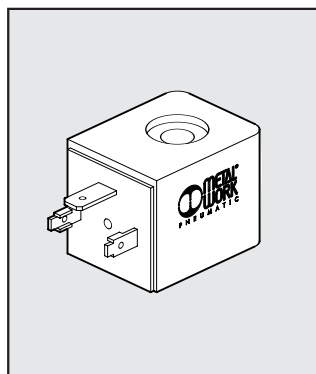
Code Description Weight [g]



9640101 END PLATE KIT 82
FOR REGULATOR
OR V3V

REEL FOR CNOMO CONTROL V3V

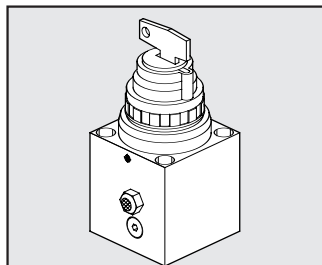
Code Description



W0210010100 REEL 30 4W 24VDC
W0210011100 REEL 30
4VA 24VAC 50/60HZ
W0210012100 REEL 30
4VA 110VAC 50/60HZ
W0210013100 REEL 30
4VA 220VAC 50/60HZ

KEY CONTROL FOR V3V 3/4"-1"

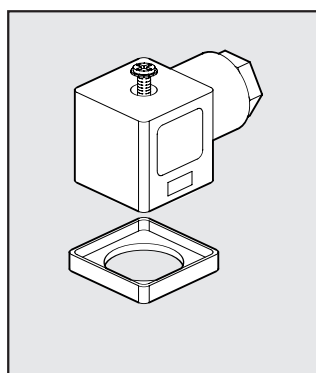
Code Description Weight [g]



9640301 KEY CONTROL KIT 364
FOR V3V

ELECTRIC CONNECTOR FOR CNOMO CONTROL V3V

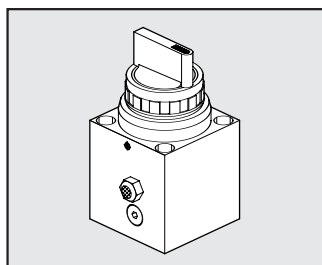
Code Description



W0970520034 CONNECTOR
30 LED 24V
W0970520035 CONNECTOR
30 LED 110V
W0970520036 CONNECTOR
30 LED 220V
W0970520037 CONNECTOR
30 VDR 24V
W0970520038 CONNECTOR
30 VDR 110V
W0970520039 CONNECTOR
30 VDR 220V

MANUAL CONTROL FOR V3V 3/4"-1"

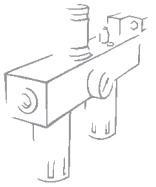
Code Description Weight [g]



9640401 MANUAL 340
CONTROL
KIT FOR V3V

KIT COIL EEXM		Code	Description	KIT FOR COIL SIDE 22 IP65		Code	Description
<p>according to Atex 94/9 CE rule, group 2, category 2 GD</p>	0227606913	KIT FOR COIL 30	24 VDC EEXMT5		0222100100	KIT FOR COILS 22 - IP65	(WITH TECHNOPOL CONTROL)
			CABLE 3M				Improved IP65 protection, even after prolonged exposure to atmospheric agents. Applicable to valves with a technopolymer control.
	0227606915	KIT FOR COIL 30	24 VDC EEXMT5				
			CABLE 5M				
	0227608013	KIT FOR COIL 30	24 VAC EEXMT5				
			CABLE 3M				
	0227608015	KIT FOR COIL 30	24 VAC EEXMT5				
			CABLE 5M				
	0227608023	KIT FOR COIL 30	110 VAC EEXMT5				
			CABLE 3M				
0227608025	KIT FOR COIL 30	110 VAC EEXMT5					
		CABLE 5M					
0227608033	KIT FOR COIL 30	230 VAC EEXMT5					
		CABLE 3M					
0227608035	KIT FOR COIL 30	230 VAC EEXMT5					
		CABLE 5M					

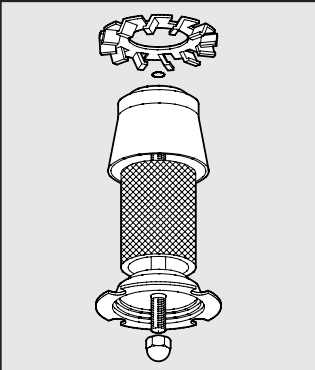
NOTES



Newdeal SPARE PARTS

F and FR FILTERING ELEMENT

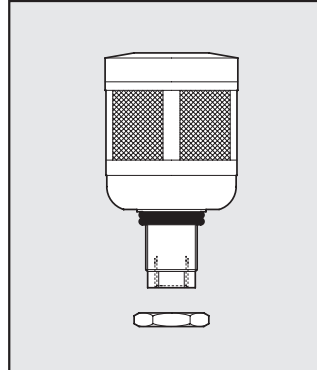
Code Description



- 9450103 SPARES FP 1/2 4
- 9450102 SPARES FP 1/2 20
- 9450101 SPARES FP 1/2 50
- 9250103 SPARES FP 1/4 4
- 9250102 SPARES FP 1/4 20
- 9250101 SPARES FP 1/4 50
- 9650103 SPARES FP 3/4 4
- 9650102 SPARES FP 3/4 20
- 9650101 SPARES FP 3/4 50

RA AUTOMATIC DRAIN

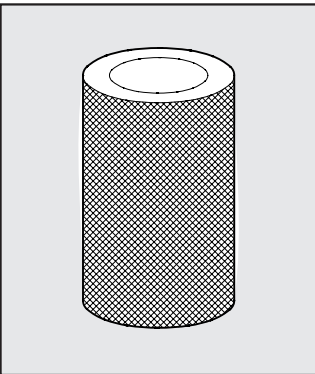
Code Description



- 9000801 SPARES RA 3/8-1/2-3/4-1

FILTERING ELEMENT FOR DEPURATOR

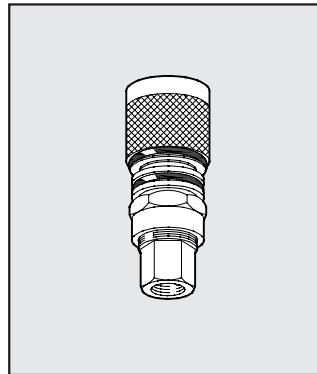
Code Description



- 9450105 SPARES KIT FP DEP. 3/8

SAC AUTOMATIC DRAIN

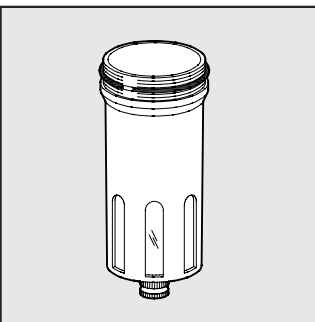
Code Description



- 9000803 SAC 1/4" 3/8" 1/2"

METAL FILTER BOWL

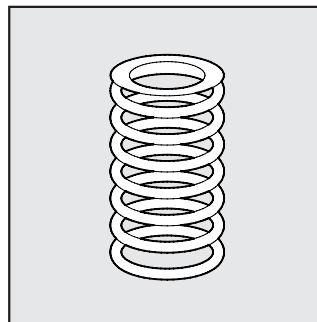
Code Description



- 9450301 SPARES TMVF 1/2 RMSA
- 9455201 SPARES TMVF 1/2 SAC
- 9250301 SPARES TMVF 1/4 RMSA
- 9255201 SPARES TMVF 1/4 SAC
- 9650301 SPARES TMVF 3/4 1 RMSA

SPRINGS FOR REGULATORS AND FR

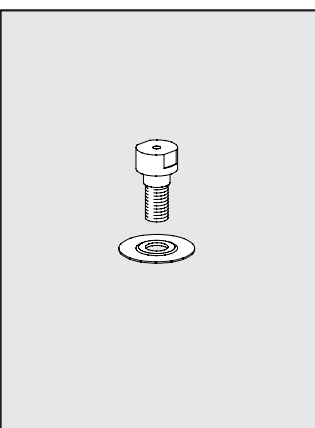
Code Description



- 9250601 SPARES MO 02 1/4
- 9250602 SPARES MO 04 1/4
- 9250603 SPARES MO 08 1/4
- 9250604 SPARES MO 12 1/4
- 9450601 SPARES MO 04 1/2
- 9450602 SPARES MO 08 1/2
- 9450603 SPARES MO 12 1/2
- 9650601 SPARES MO 04 3/4
- 9650602 SPARES MO 08 3/4
- 9650603 SPARES MO 12 3/4

VENTURI LUBRICATOR DIAPHRAGM

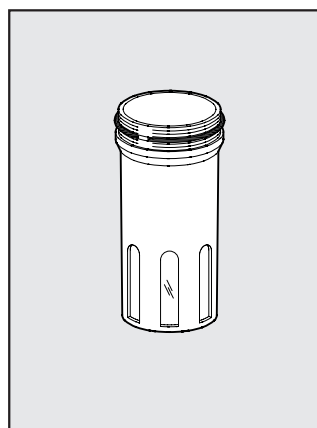
Code Description



- 9252001 SPARES MB 100 1/4
- 9352001 SPARES MB 200 1/4 3/8 1/2
- 9652002 SPARES MB 3/4-1

METAL LUBRICATOR BOWL

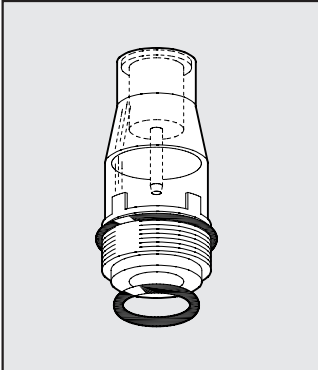
Code Description



- 9251201 SPARES TMVL 1/4
- 9451201 SPARES TMVL 1/2
- 9651201 SPARES TMVL 3/4

TRANSPARENT LUBRICATOR COVER

Code Description

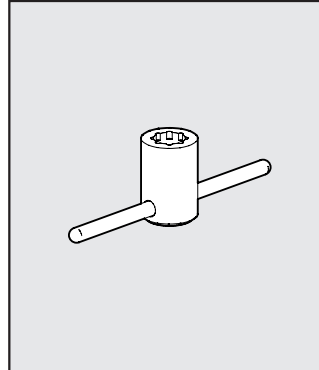


- 9251301 SPARES CVL 1/4
- 9651301 SPARES CVL 3/4
- 9251302* SPARES CVL
100-200-300-400 BIT

*SOSTITUTE CODE:
9251301-9651301

DOME DISASSEMBLY SPANNER

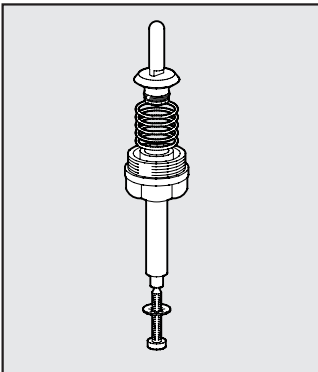
Code Description



- 9220701 ACC COVER LUB SPANNER

COMPLETE POPPET FOR FR

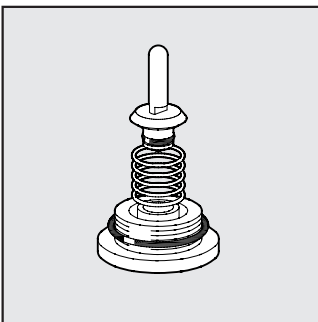
Code Description



- 9250901 SPARES OTFR 1/4
- 9450901 SPARES OTFR 1/2

COMPLETE POPPER FOR REGULATOR

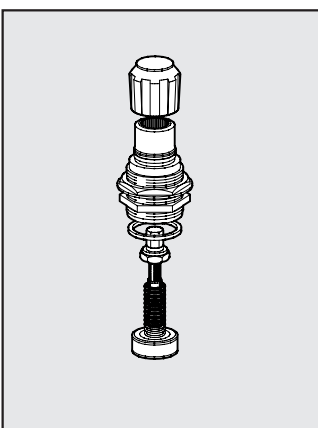
Code Description



- 9250701 SPARES OTR 1/4
- 9450701 SPARES OTR 1/2
- 9650701 SPARES OTR 3/4

UPPER COVER FOR REGULATOR AND FR

Code Description



- 9250801 SPARES CS 1/4 02
- 9250802 SPARES CS 1/4 04
- 9250803 SPARES CS 1/4 08
- 9250804 SPARES CS 1/4 012
- 9450801 SPARES CS 1/2 04
- 9450802 SPARES CS 1/2 08
- 9450803 SPARES CS 1/2 12
- 9650801 SPARES CS 3/4 04
- 9650802 SPARES CS 3/4 08
- 9650803 SPARES CS 3/4 012

NOTES

Blank area for notes with horizontal lines.