

# SPECIFICATIONS

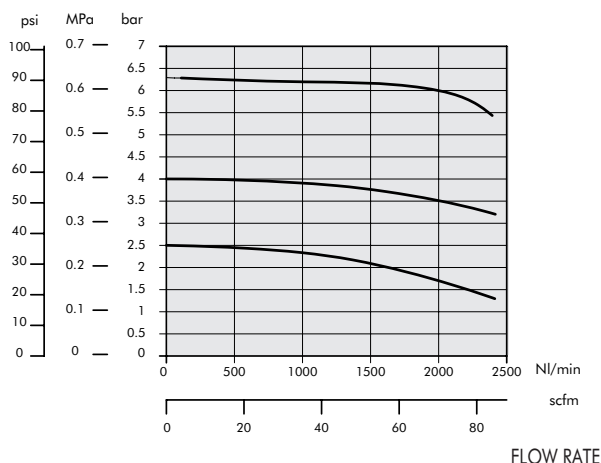
TECHNICAL DATA	1/4"	3/8"	1/2"	3/4"	1"
Flow rate at 6.3 bar (0.6 Mpa; 91 psi) $\Delta P$ 0.5 bar (0.05 Mpa; 7 psi)	Nl/min scfm	2200 78	2900 102		3600 127
Flow rate at 6.3 bar (0.6 Mpa; 91 psi) $\Delta P$ 1 bar (0.1 Mpa; 14 psi)	Nl/min scfm	2400 85	3300 116		4000 141
Flow rate on discharge at 6 bar (0.1 Mpa; 14 psi)	Nl/min scfm			1600 56	
1/4" port flow rate of non-regulated filtered air at 6.3 bar (0.6 Mpa; 91 psi) $\Delta P$ 1 bar	Nl/min scfm			1800 64	
*Flow rate of each supplementary 1/4" filtered and regulated air port at 6.3 bar (0.6 Mpa; 91 psi) $\Delta P$ 1 bar	Nl/min scfm			2400 85	
Fluid				compressed air	
Setting range	bar	0,5 ÷ 2	0,5 ÷ 4	0,5 ÷ 8	
Degree of filtration		5 $\mu$ m (yellow) or 20 $\mu$ m (white)			
Maximum inlet pressure		10 bar – 1 Mpa – 145 psi			
Operating temperature range	°C	-10° ÷ 50°			
	°F	14° ÷ 122°			
Class of protection		IP 65 with connector			
Insulation class of the solenoid valve		F155			
Switching time		100% ED			
Electrical connector		M12 x 1.5-pin to CEI IEC 60947-5-2			
Solenoid valve power	W	1,2			
Solenoid valve voltage	V	24 VDC $\pm$ 10%			
Pressure interval settable on the pressure switch	bar	0,5 ÷ 10			
Pressure switch hysteresis (not adjustable)	bar	bar 0,4 to 0,8 (see diagram)			
Maximum pressure switch current	A	0,5			
Maximum pressure switch voltage	V	3 ÷ 30 AC/DC			
Pressure switch contacts		normally open (NO) and normally closed (NC)			
Number of switching		5 x 10 <sup>6</sup>			
Weight	kg	from 1,15 to 1,25 according to configurations			
Wall fixing (max. panel thickness 10 mm):		Front, with M5 x 75 screws or back, with M6 x 70 screws The screws are included in the supply			
Mounting position		vertical			
Direction of flow		from left to right			
* total flow rate from two supplementary outlets and the main one cannot exceed 4000 Nl/min at 6.3 bar with $\Delta P=1$					

## FLOW CHARTS

### 1/4"

Pm = 8 bar - 0.8 MPa - 116 psi

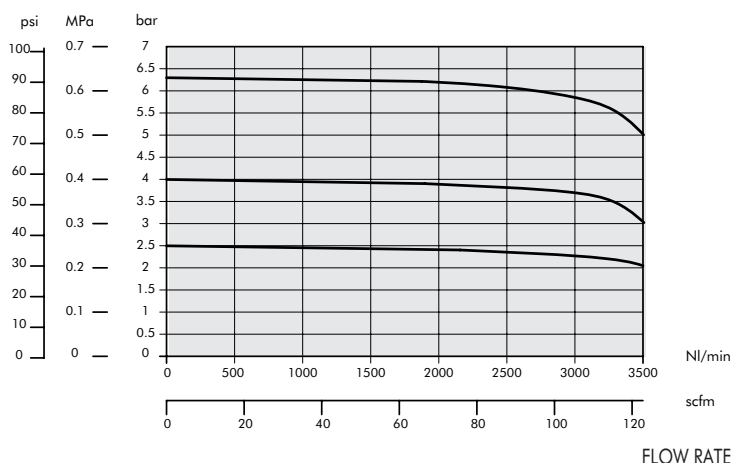
PRESET PRESSURE



### 3/8"

Pm = 8 bar - 0.8 MPa - 116 psi

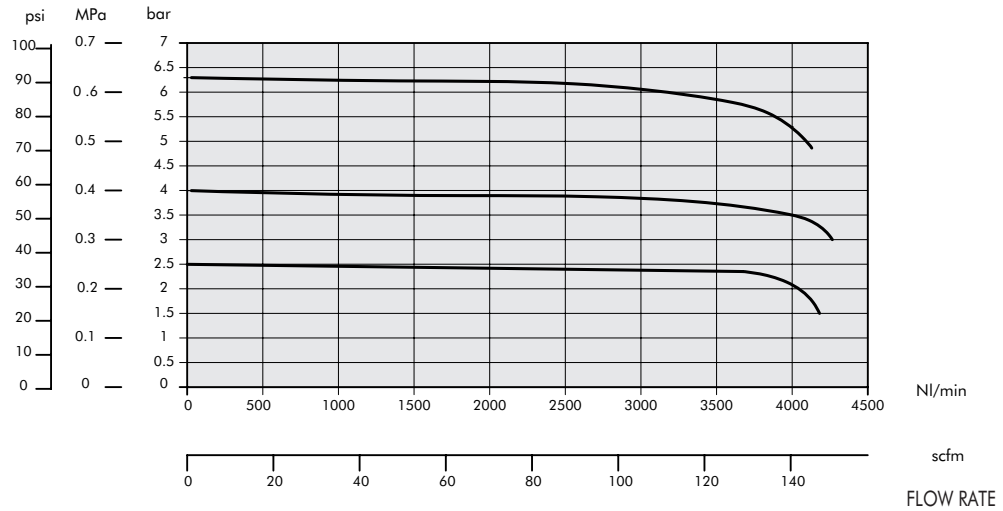
PRESET PRESSURE



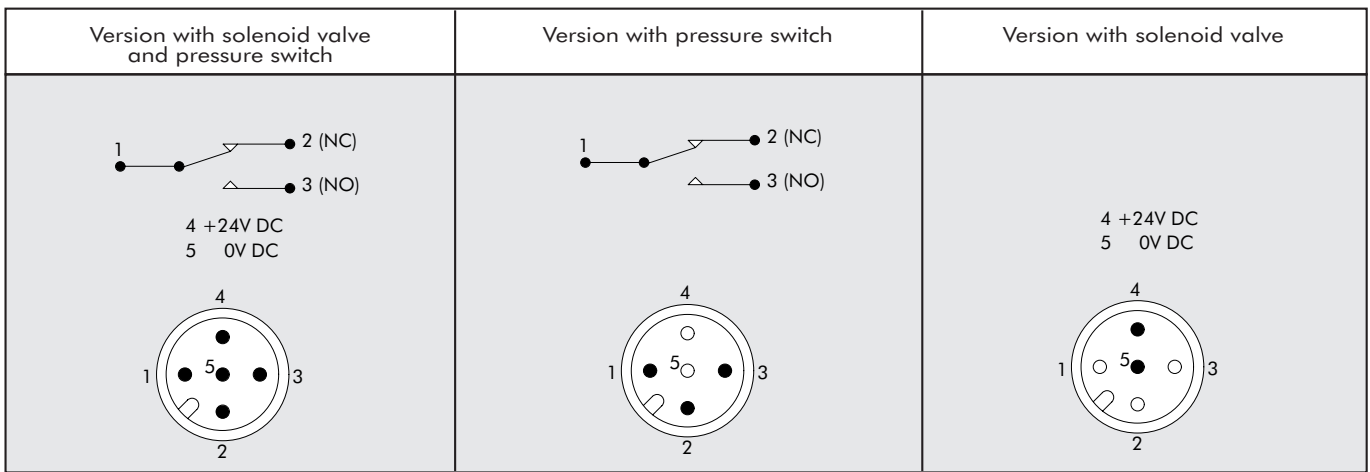
1/2" - 3/4" - 1"

Pm= 8 bar - 0.8 MPa - 116 psi

PRESET PRESSURE

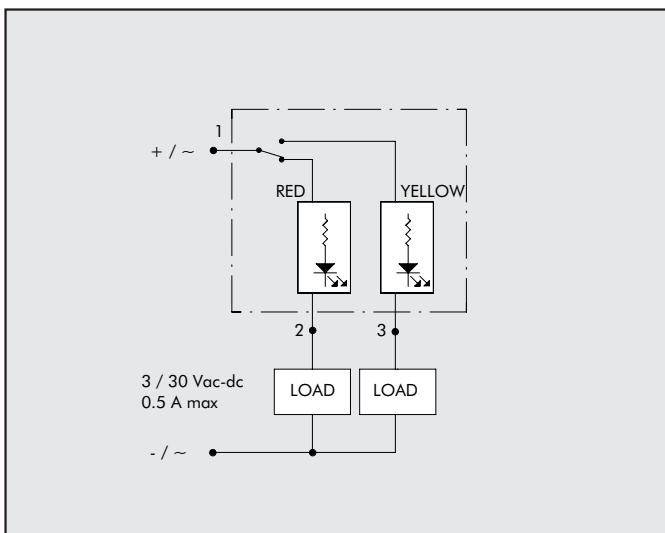


WIRING DIAGRAM

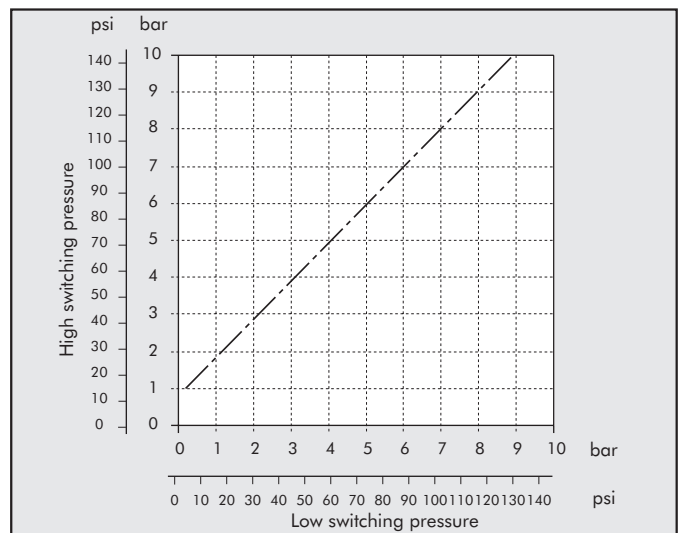


3

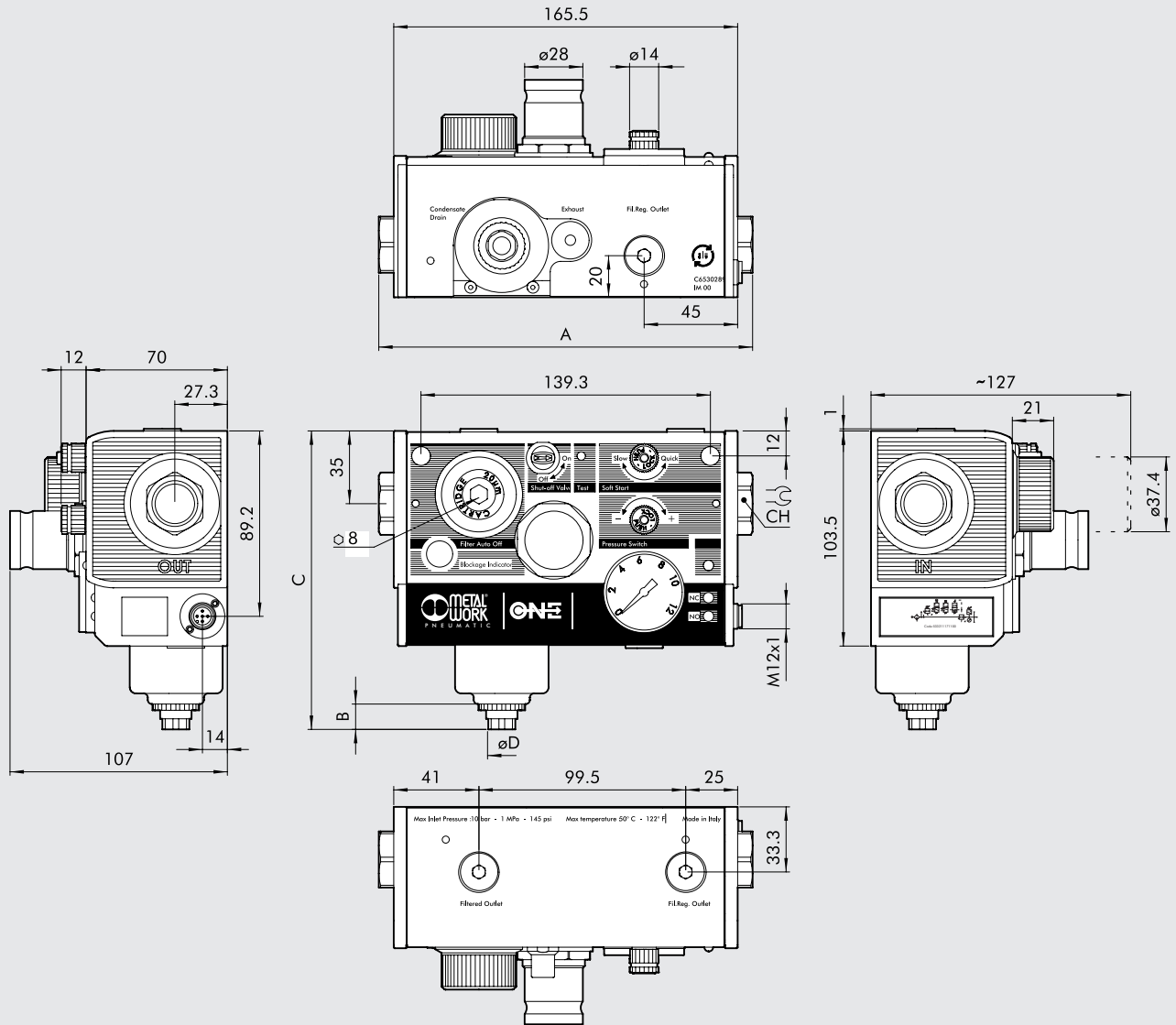
PRESSURE SWITCH WIRING DIAGRAM



PRESSURE SWITCH HYSTERESIS CHART



### DIMENSIONS

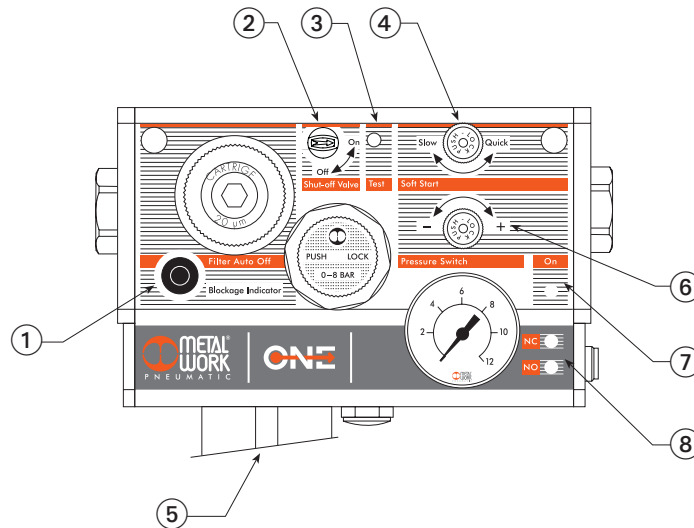


	1/4"	3/8"	1/2"	3/4"	1"
A		180		195	
CH	19	22	27	32	36

	RA	RMSA
B	12.2	16.4
C	144	148
$\phi D$	15	15

## EXTERNAL DESIGN

You can get thousands of different configurations. The external design differs according on the versions chosen.



<p><b>CLOGGED FILTER SIGNAL</b> ①</p> <p>PRESENT</p> <p>in course of signalling</p> <p>NOT PRESENT</p>	<p><b>V3V MANUAL</b> ②</p> <p>STANDARD</p> <p>LOCKABLE</p> <p>NOT PRESENT</p> <p>plug</p>	<p><b>V3V ELECTRICAL</b></p> <p>PRESENT</p> <p>NOT PRESENT</p> <p>in some versions holes are present</p>	<p><b>SOFT START VALVE</b> ④</p> <p>PRESENT</p> <p>NOT PRESENT</p>
<p><b>CONDENSATE DRAIN</b> ⑤</p> <p>AUTOMATIC (RA)</p> <p>RMSA</p>	<p><b>PRESSURE SWITCH</b></p> <p>PRESENT</p> <p>NOT PRESENT</p> <p>in some versions holes are present</p>	<p><b>ONE NON-ELECTRICAL</b></p>	