



GRIPPERS WITH 2 PARALLEL LONG-STROKE JAWS – SERIES P4

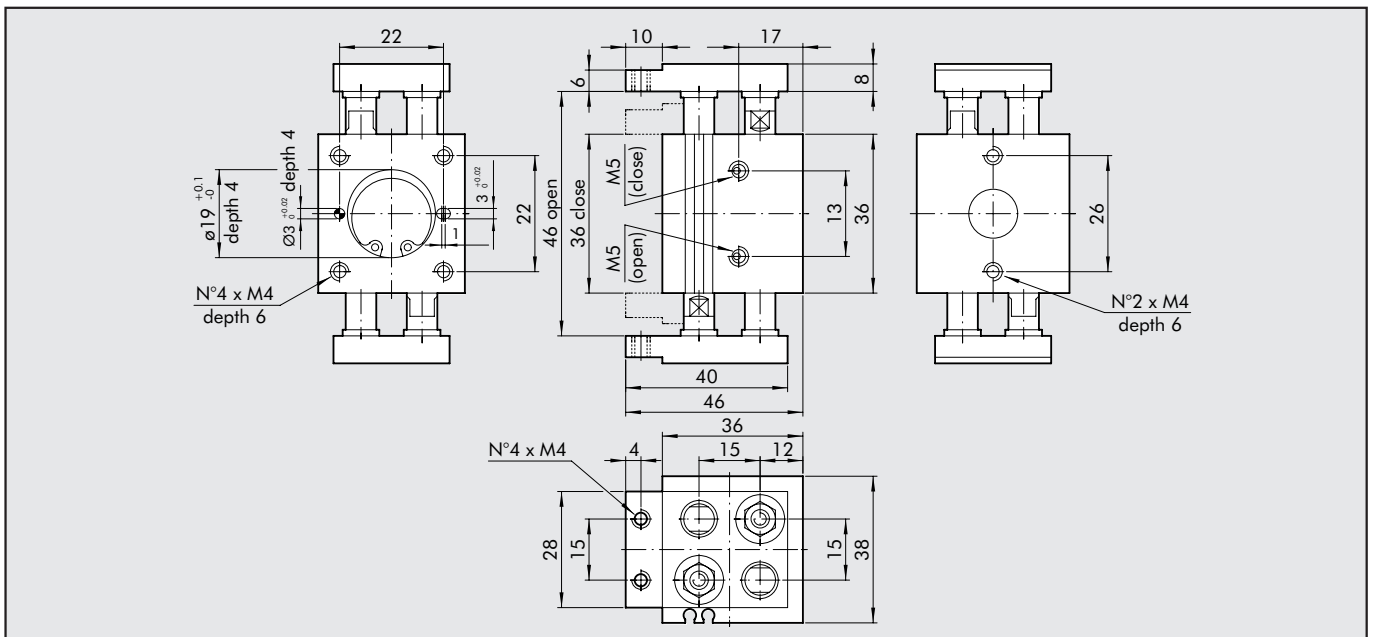
1

These are grippers with 2 parallel long-stroke jaws. The mechanical design makes them suitable for clamping bulky parts. All grippers, except for the smallest ones, can mount a retracting magnetic proximity sensor.



TECHNICAL FEATURES		P4 - 10	P4 - 12	P4 - 16	P4 - 25	P4 - 30
Min./max. operating pressure	bar			3 - 7		
Temperature range	°C			5 - 60		
Maximum operating frequency	cycles/s			1		
Fluid		Lubricated or unlubricated filtered air; if used, it must be continuous				
Bore	mm	2x10	2x12	2x16	2x30	2x30
Single jaw stroke	mm	5	10	15	30	60
Closing force at 6 bar	N	28	41	75	260	260
Opening force at 6 bar	N	28	41	75	260	260
Weight	kg	0.18	0.3	0.5	2.95	3.7

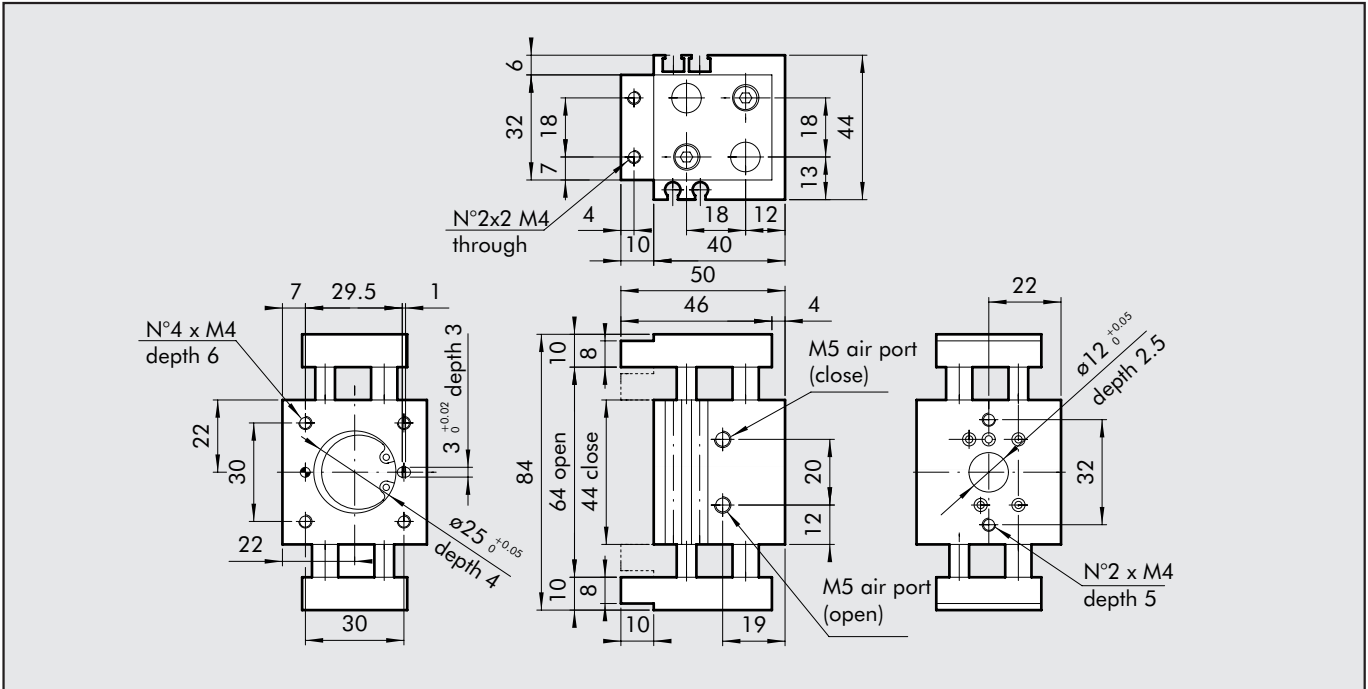
DIMENSIONS OF GRIPPER P4-10



ORDERING CODES

Code	Description
W1580100200	GRIPPER WITH 2 LONG-STROKE JAWS P4-10

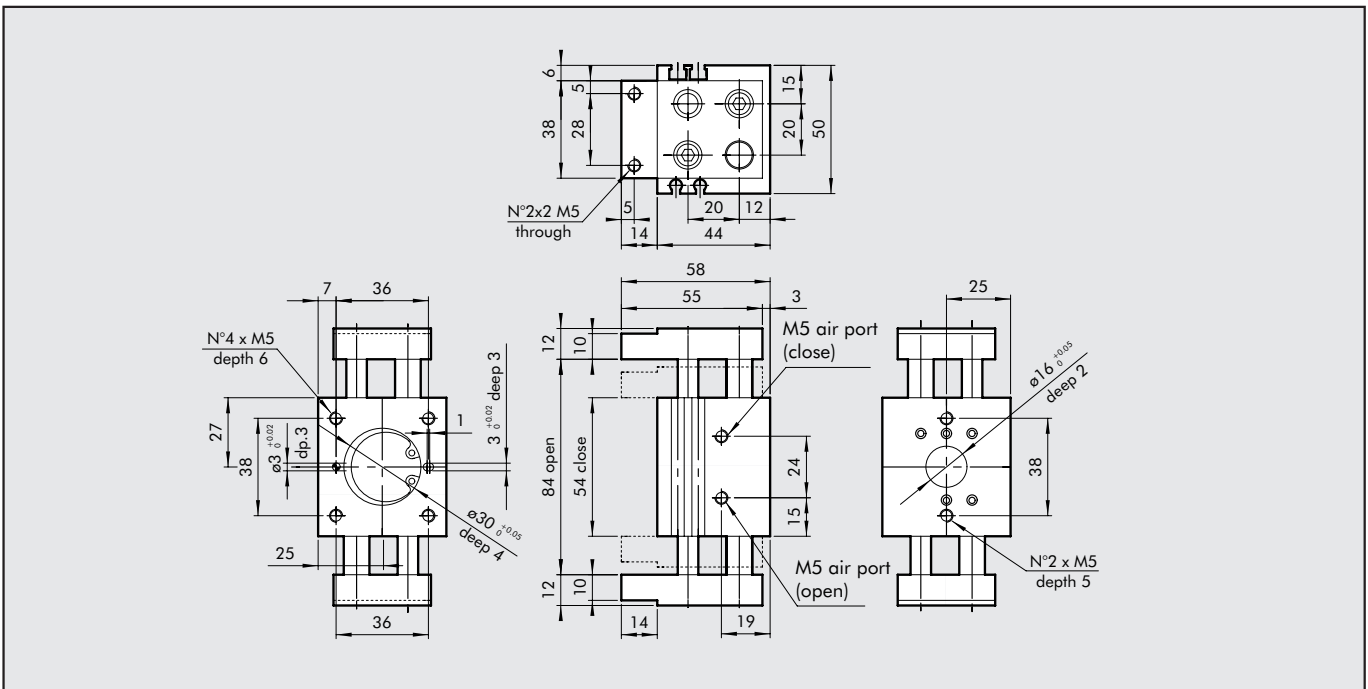
DIMENSIONS OF GRIPPER P4-12



ORDERING CODES

Code	Description
W1580120200	GRIPPER WITH 2 LONG-STROKE JAWS P4-12

DIMENSIONS OF GRIPPER P4-16

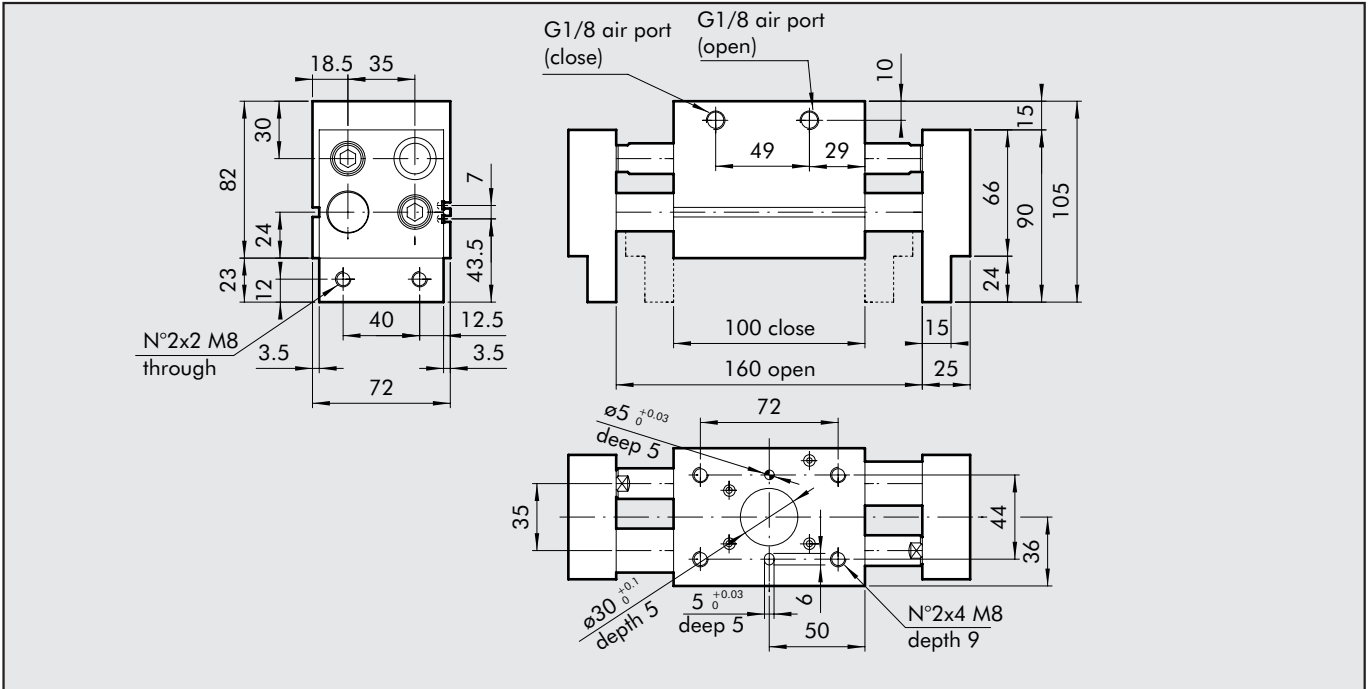


ORDERING CODES

Code	Description
W1580160200	GRIPPER WITH 2 LONG-STROKE JAWS P4-16



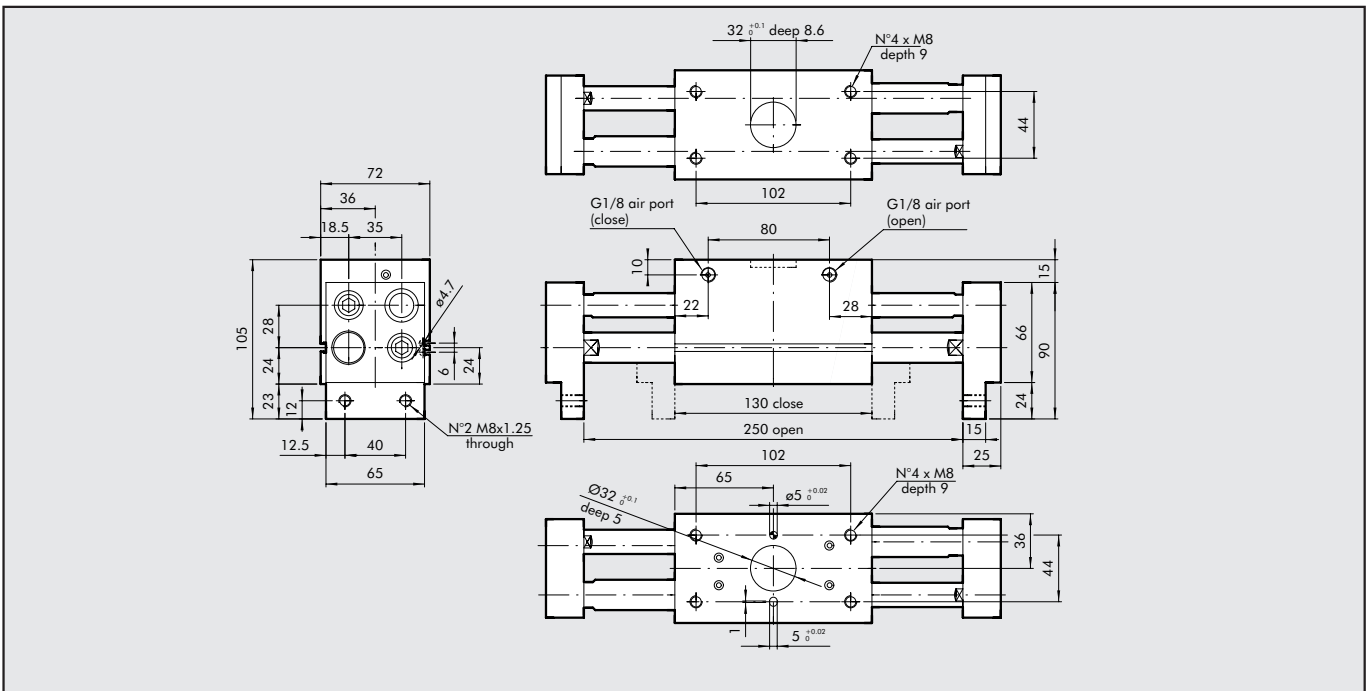
DIMENSIONS OF GRIPPER P4-25



ORDERING CODES

Code	Description
W1580250200	GRIPPER WITH 2 LONG-STROKE JAWS P4-25

DIMENSIONS OF GRIPPER P4-30

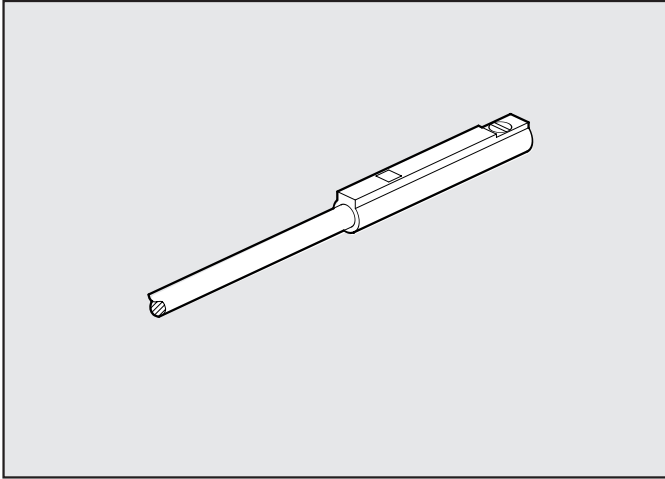


ORDERING CODES

Code	Description
W1580300200	GRIPPER WITH 2 LONG-STROKE JAWS P4-30

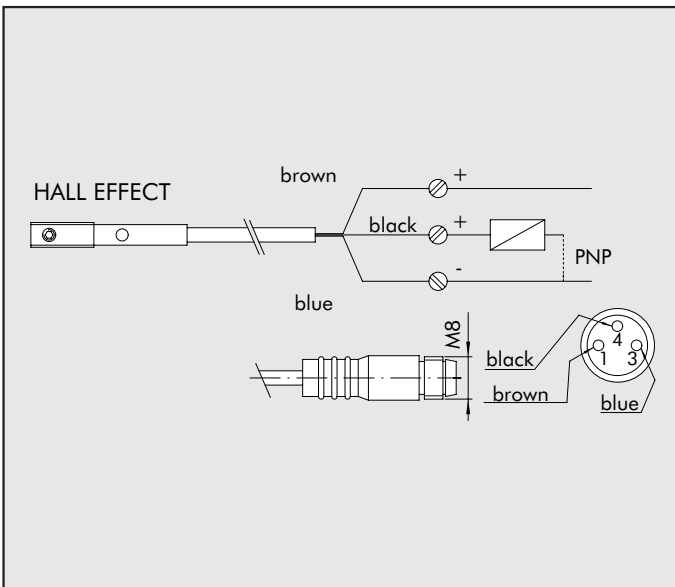
ACCESSORIES

SENSOR FOR P4-10



Code	Description
W0950044180	Sensor REED 2 wires 24 VDC 1m
W0950045390	Sensor HALL 3 wires 24 VDC 2m

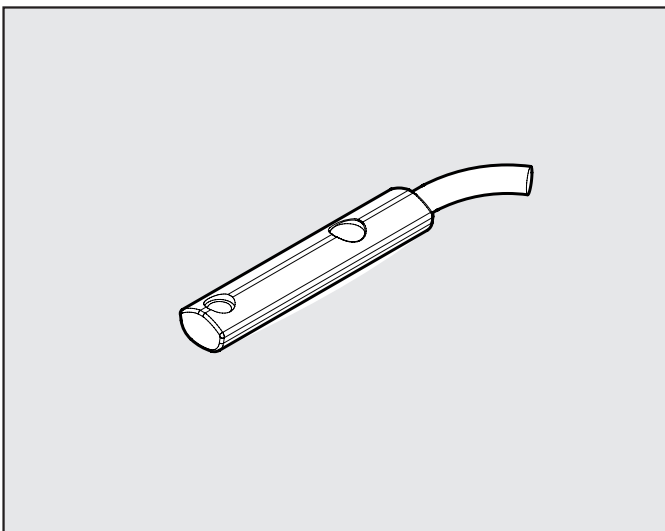
WIRING DIAGRAM FOR W0950045390



TECHNICAL DATA

		Effetto Hall
Switch		PNP
Tension in DC	V	6 ÷ 30
Tension in AC	V	---
Current at 25°C	A	0,2
Power (ohmic load)	W	max 6
On time	µs	0,8
Off time	µs	0,3
On point	Gauss	30
Off point	Gauss	25
Electric life (pulses)		109
On voltage drop	V	<1
Nominal operating point	Gauss	30 ÷ 50
Operating frequency	Hz	max 200
Polarity reversal protection		Yes
Short-circuit protection		NO
Degree of protection (EN 60529)		IP 67
Temperature range	°C	-10 ÷ +70
Sensor capsule material		PA (+G)
LED display		Yellow
Wiring NO.		3

RETRACTABLE SENSOR WITH INSERTION FROM ABOVE FOR P4-12 ÷ 30



Code	Description
W0952025390	HALL N.O. SENSOR, VERTICAL INSERTION 2.5m
W0952029394	HALL N.O. SENSOR, VERTICAL INSERTION 300 mm M8
W0952022180	REED N.O. SENSOR, VERTICAL INSERTION 2.5m
W0952028184	REED N.O. SENSOR, VERTICAL INSERTION 300 mm M8
W0952125556	HALL N.O. SENSOR, VERTICAL INSERTION 2m ATEX

N.B.: for technical data of sensor, see pag. 1.2/28