

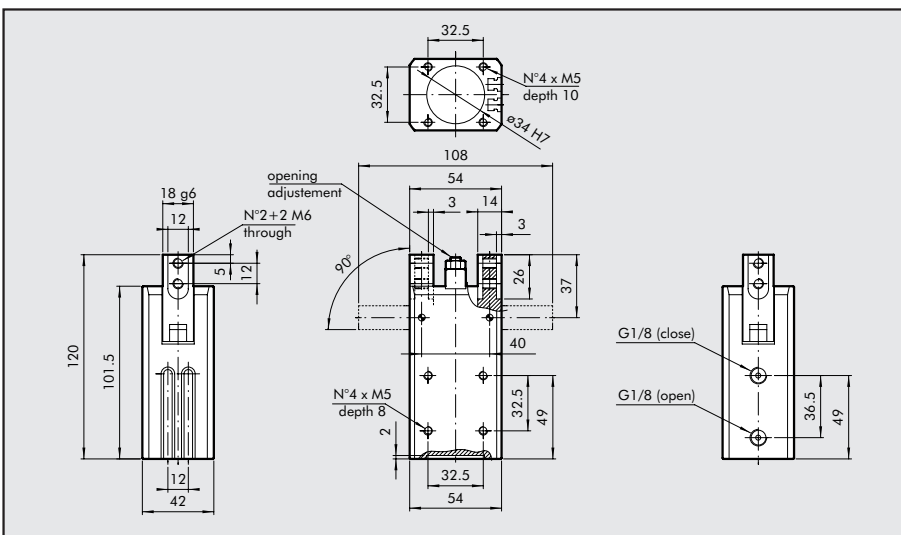
GRIPPER 180° WITH 2 HINGED JAWS SERIES P9

- Toggle-type pivoted grippers, with adjustable opening angle.
- High clamping forces.
- Body made of hard anodized aluminium, jaws and moving parts made of tempered steel.
- Bottom or side fixing.
- All sizes come with magnets and sensor slots.



TECHNICAL DATA		P9-32	P9-40
Gaskets		NBR, POLYURETHANE	
Operating pressure		2-8 bar (0.2 - 0.8 Mpa)	
Temperature range	°C	5÷70	
Fluid		Filter lubricated or lubricated air. Lubrication, if used, must be continuous.	
Bores	mm	32 - 40	
Jaw opening angle		Adjustable 180°	
Clamping force (at 6 bar), 20 mm from the jaw pivot	N	180	300
Weight	Kg	0.85	1.5

DIMENSIONS OF GRIPPERS P9-32



ORDERING CODES

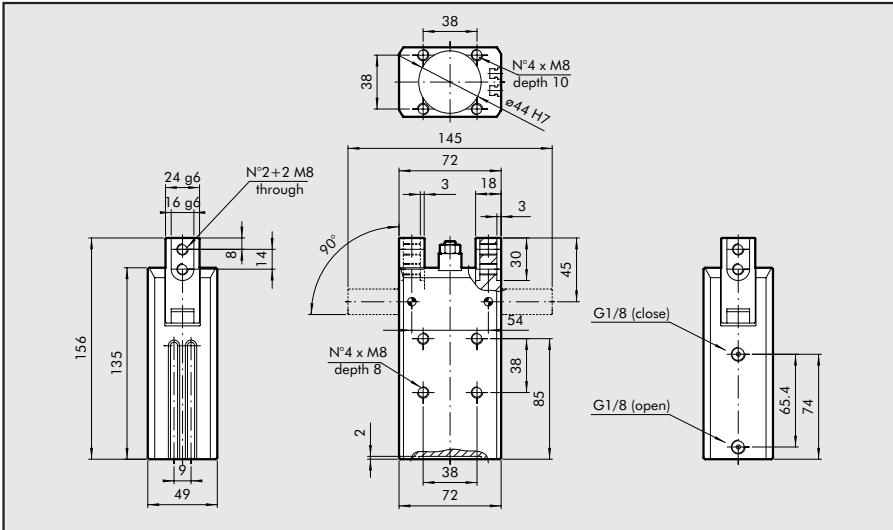
Code	Description
W1530320180	HINGED GRIPPER P9-32



1

DIMENSIONS OF GRIPPERS P9-40

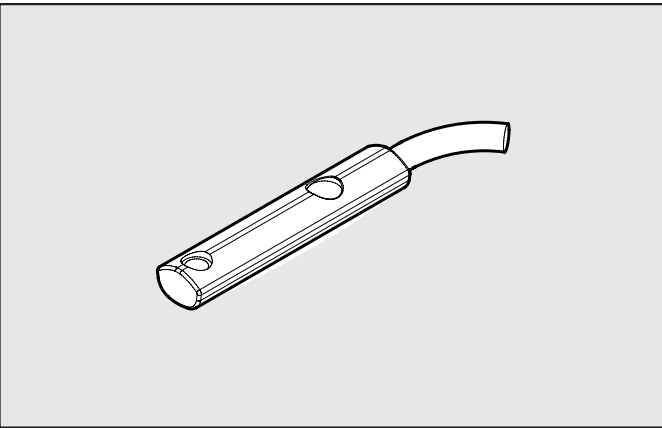
ORDERING CODES



Code	Description
W1530400180	HINGED GRIPPER P9-40

ACCESSORIES: MAGNETIC SENSORS

RETRACTABLE SENSOR WITH INSERTION FROM ABOVE



Code	Description
W0952025390	HALL N.O. SENSOR, VERTICAL INSERTION 2.5m
W0952029394	HALL N.O. SENSOR, VERTICAL INSERTION 300 mm M8
W0952022180	REED N.O. SENSOR, VERTICAL INSERTION 2.5m
W0952028184	REED N.O. SENSOR, VERTICAL INSERTION 300 mm M8
W0952125556	HALL N.O. SENSOR, VERTICAL INSERTION 2m ATEX

See page 1.2/28 for wiring diagram.

NOTES