

GRIPPERS WITH 3 PARALLEL JAWS – SERIES P11

Double-acting grippers with three self-centring jaws, internal and external clamping. The body contains slots for mounting retracting magnetic sensors.

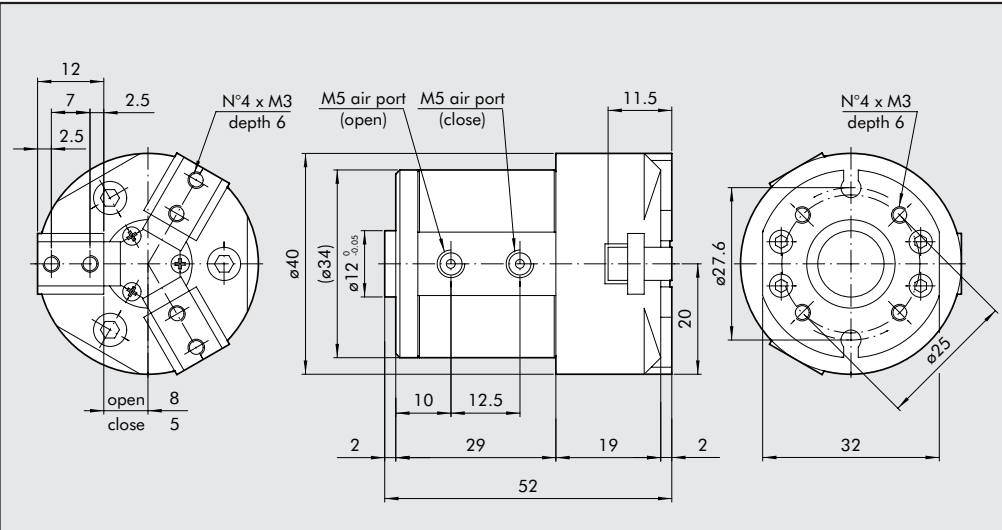


TECHNICAL FEATURES	P11 - 16	P11 - 20	P11 - 25	P11 - 60
Min./max. operating pressure	bar 1.5÷7			
Temperature range	°C 5÷60			
Fluid	20µm dried and lubricated filtered air. Lubrication, if used, must be continuous.			
Bore	mm 16	mm 20	mm 25	mm 60
Single jaw stroke	mm 3	mm 4	mm 5	mm 12.5
Closing force at 6 bar	N 58	N 90	N 150	N 880
Opening force at 6 bar	N 65	N 108	N 170	N 1000
Weight	kg 0.12	kg 0.21	kg 0.3	kg 2.7
Maximum operating frequency	cycles/s 1.5	cycles/s 1.5	cycles/s 1.5	cycles/s 1.2

NOTES



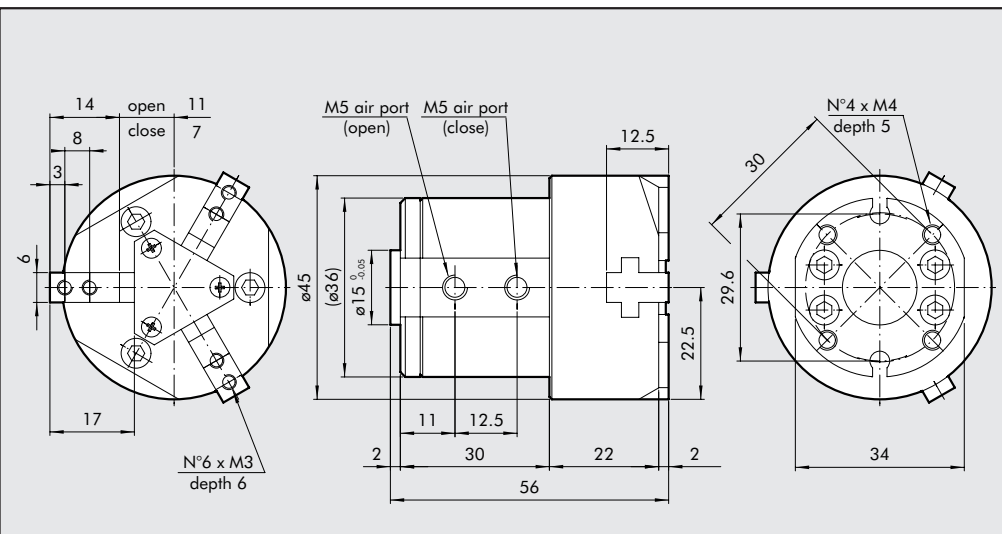
DIMENSIONS OF GRIPPER P11-16



ORDERING CODES

Code	Description
W1570160300	GRIPPERS WITH 3 PARALLEL JAWS P11-16

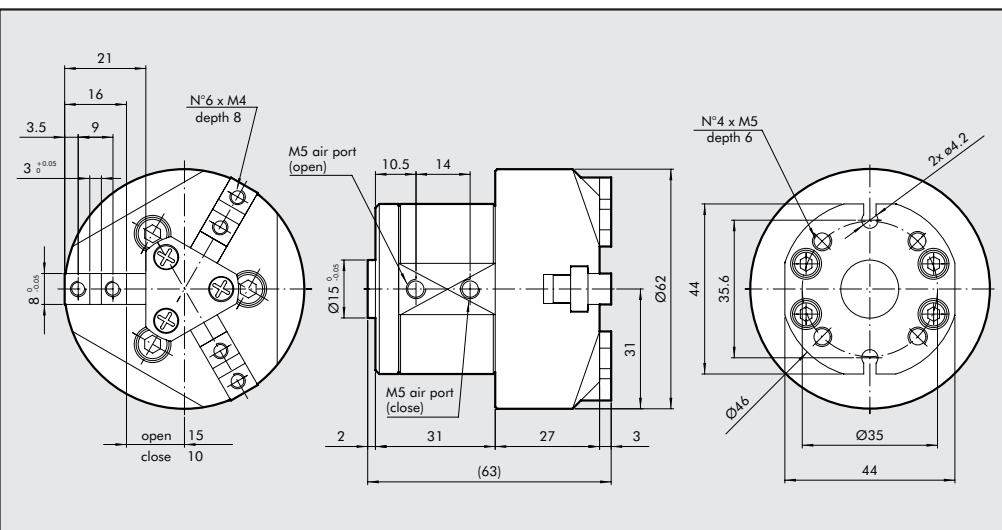
DIMENSIONS OF GRIPPER P11-20



ORDERING CODES

Code	Description
W1570200300	GRIPPERS WITH 3 PARALLEL JAWS P11-20

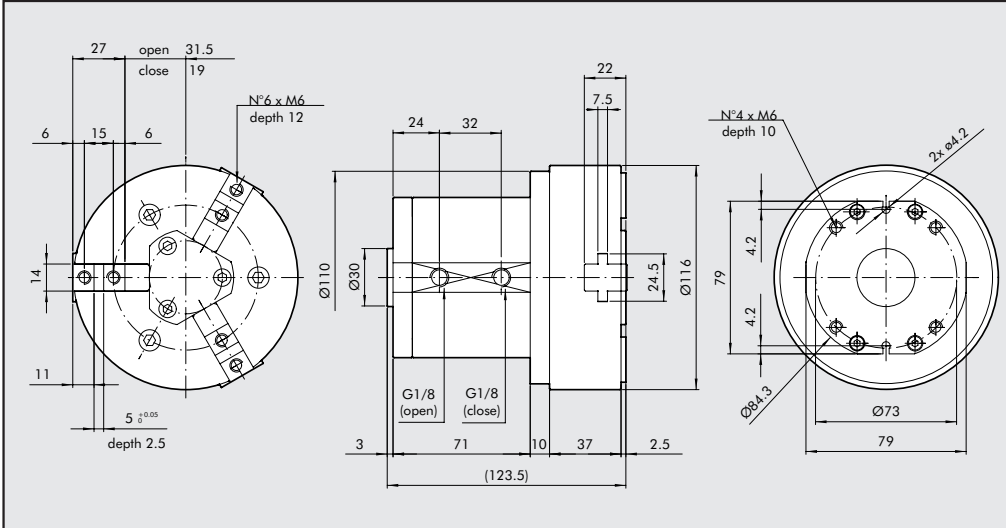
DIMENSIONS OF GRIPPER P11-25



ORDERING CODES

Code	Description
W1570250300	GRIPPERS WITH 3 PARALLEL JAWS P11-25

DIMENSIONS OF GRIPPER P11-60

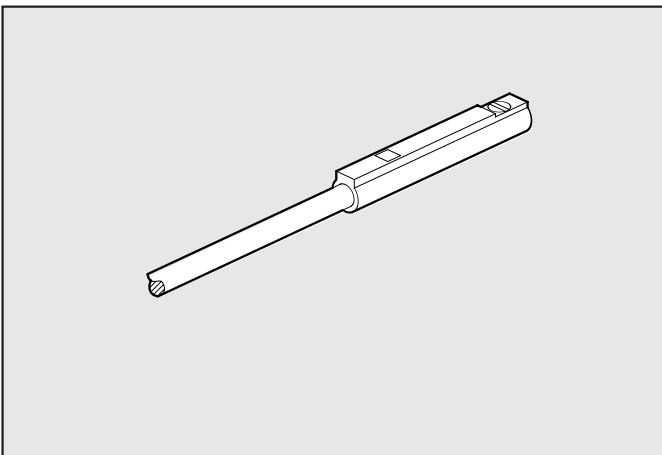


ORDERING CODES

Code	Description
W1570600300	GRIPPERS WITH 3 PARALLEL JAWS P11-60

ACCESSORIES

SENSOR FOR P11-16 ÷ 60



Code	Description
W0950044180	Sensor REED 2 wires 24 VDC 1m
W0950045390*	Sensor HALL 3 wires 24 VDC 2m

N.B.: for technical data of sensor, see pag. 1.2/28

NOTES