

TWIN CYLINDER SLIDE WITH FIXED PLATES SERIES S12

Two sliding systems are available:

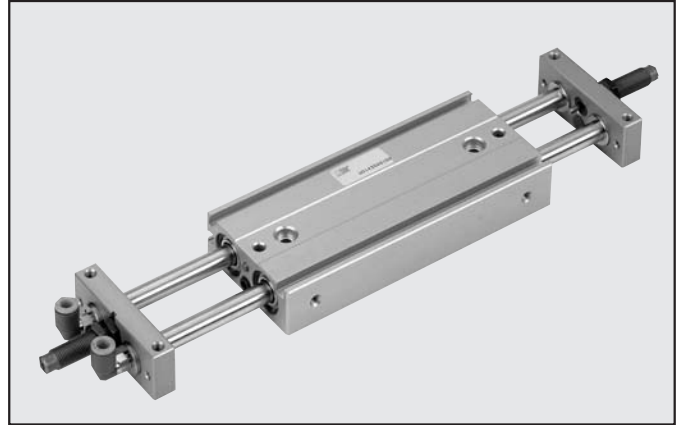
- on bushes
- on ball bearings

The structure is made up of two paired through-rod cylinders with a common anodized aluminium body with grooves for mounting the retractable sensor.

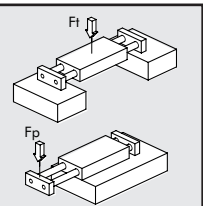
Five bores available: 2xØ16; 2xØ20; 2xØ25; 2xØ30.

The rods are joined together by means of a plate on which the mechanical limit switches or hydraulic shock absorbers can be mounted.

The compressed air ports are at the end of the piston rods.



TECHNICAL FEATURES					
Fluid		20µm filtered air			
Pressure range		1.5 to 7 bar (0.15 to 0.7 MPa)			
Temperature range	°C	5 to +60			
Piston speed	mm/s	30 to 200 mm/s			
Versions		With sliding bushes / With ball bearing bushes / With stop screw / With hydraulic shock absorbers			
Bores	mm	16	20	25	30
Piston rod diameter	mm	8	10	12	16
Strokes	mm	25	25	25	25
		60	50	50	50
		75	75	75	75
		100	100	100	100
		-	125	125	125
		-	-	150	150
Weight = X + (Y · C)	kg				
C = stroke					
Sliding version		X = 0.25 Y = 0.0035	X = 0.5 Y = 0.045	X = 0.7 Y = 0.007	X = 1.24 Y = 0.01
Ball bearing version		X = 0.37 Y = 0.0035	X = 0.78 Y = 0.045	X = 1.04 Y = 0.007	X = 1.98 Y = 0.01
Theoretical thrust	N	30xP	47xP	75xP	101xP
P = relative pressure in bar		(The values shown refer to the min. and max. strokes)			
Loads with sliding version	N	Fr: 20÷4 Fp: 4÷1.5	Fr: 35÷4.5 Fp: 12÷3	Fr: 50÷5.4 Fp: 15÷3.5	Fr: 80÷12 Fp: 20÷4.5
Loads with ball bearing version	N	Fr: 35÷6.5 Fp: 11÷3	Fr: 58÷7 Fp: 18÷5	Fr: 80÷8 Fp: 23÷6	Fr: 130÷18 Fp: 50÷8

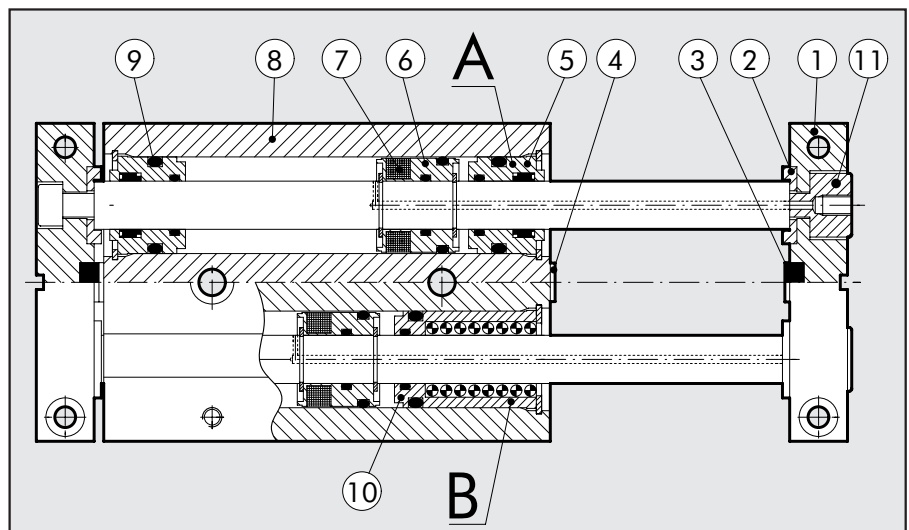


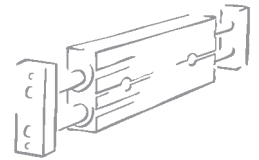
COMPONENTS

- ① FLANGE: anodized aluminium
- ② WASHER: steel
- ③ BUFFER: rubber
- ④ ADJUSTABLE STRIKER PLATE: Zinc-plated steel
- ⑤ BASE: brass
- ⑥ PISTON: brass
- ⑦ MAGNET: Plastroferrite
- ⑧ CYLINDER BODY: anodized aluminium
- ⑨ STATIC O-RINGS: NBR
- ⑩ BUSH: ball bearing
- ⑪ VITE: con alimentazione pneumatica

A = Version with sliding bush

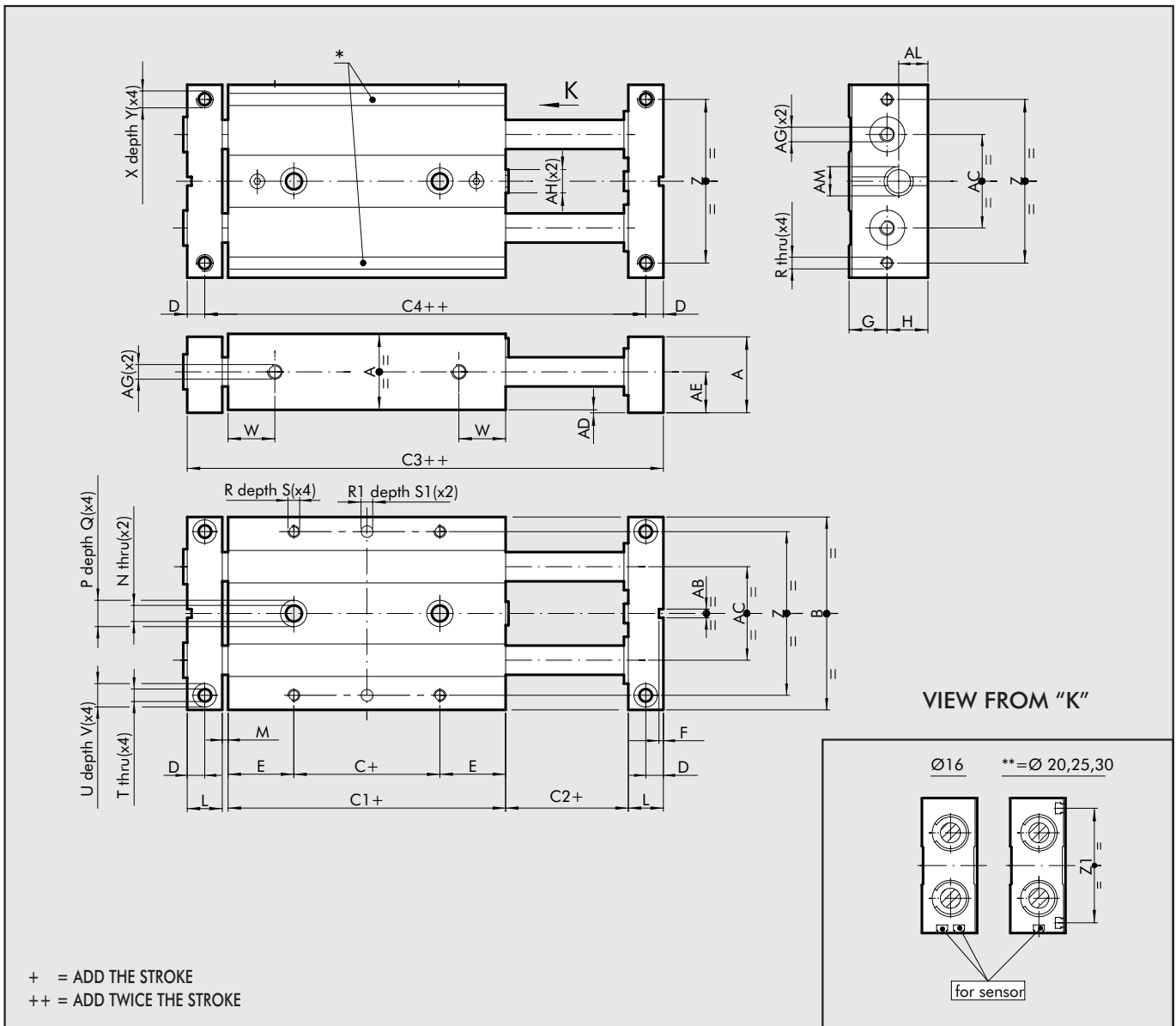
B = Version with ball bearing bush





DIMENSIONS OF TWIN-CYLINDER SLIDE SERIES S12 - Ø 16-30

1



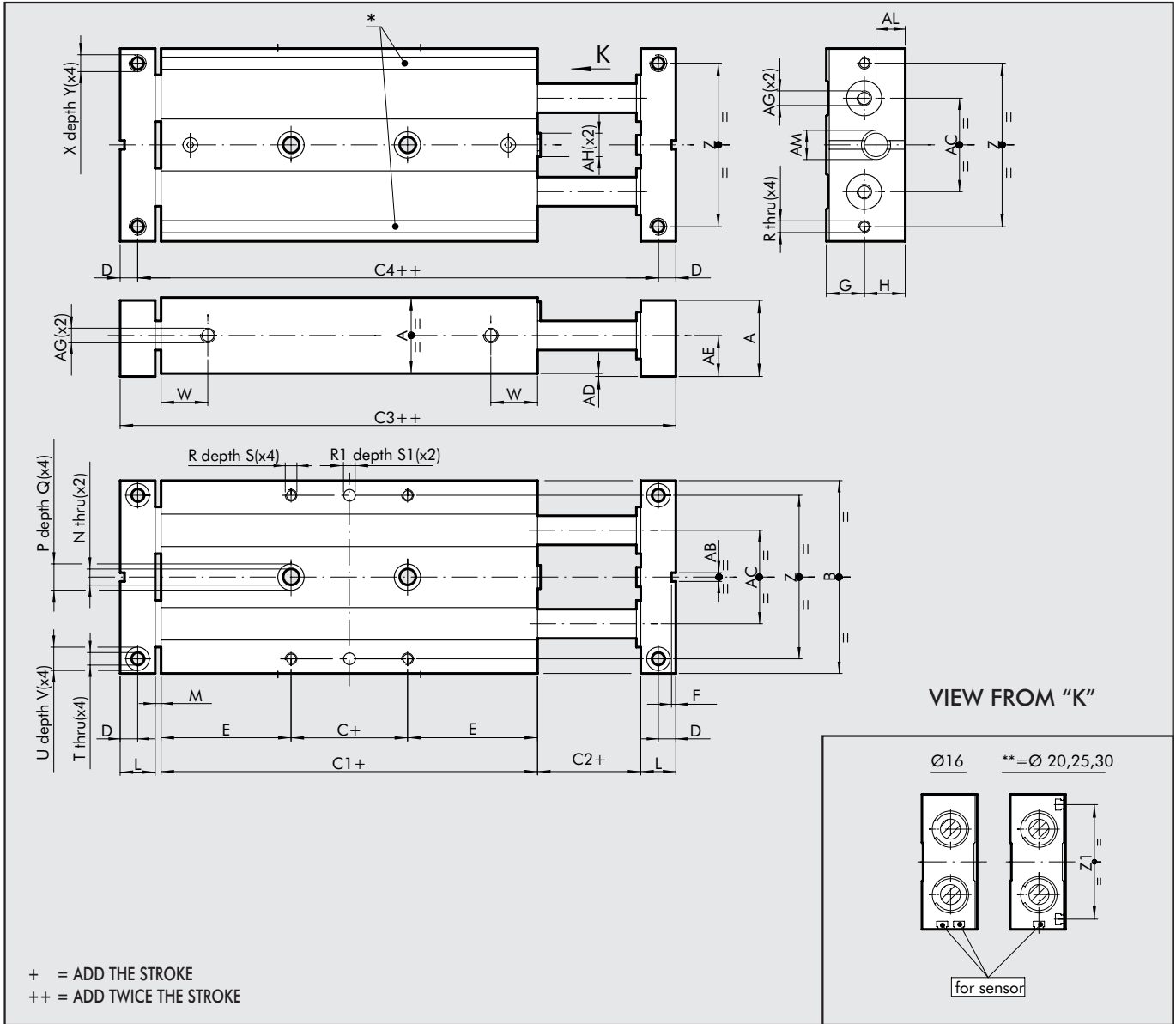
Codes	Ø	A	B	C	C1	C2	C3	C4	D	E	F	G	H	L	M	N	P	Q	R	R1 ^{H7}	S	S1	T
W1460162...*	16	22	56	10	50	2	74	64	5	20	1.5	11	12	10	2	4.3	8	4	M4	4	6	3	4.3
W1460202...*	20	26	66	10	55	2	83	71	6	22.5	1.5	13	14	12	2	5.5	9	5	M4	4	7	3	4.3
W1460252...*	25	32	78	10	60	2	92	78	7	25	2.5	16	17	14	2	6.5	10.5	6	M5	4	7	3	5.2
W1460302...*	30	36	98	10	70	2	106	90	8	30	2.5	18	19	16	2	8.5	14	8	M6	6	8	5	5.2

*Enter required stroke

Ø	U	V	W	X	Y	Z	Z1	AB	AC	AD	AE	AF	AG	AH	AM	AL
16	8	4	15	M5	8	46	-	3	26	1	12	5	M5	M6	M10 x 1	8.5
20	8	4	16	M5	10	56	54	3	30	1	14	5	M5	M8	M10 x 1	9
25	9	5	19	M6	12	66	64	5	39	1	17	6	M5	M10	M12 x 1	10
30	9	5	21	M6	12	86	82	5	52	1	19	6	G 1/8	M12	M14 x 1.5	12

Strokes for bore 16 mm 25; 50; 75; 100
 Strokes for bore 20 mm 25; 50; 75; 100; 125
 Strokes for bore 25 mm 25; 50; 75; 125; 150
 Strokes for bore 30 mm 25; 50; 75; 125; 150

DIMENSIONS OF TWIN-CYLINDER SLIDE SERIES S12 - Ø 16-30

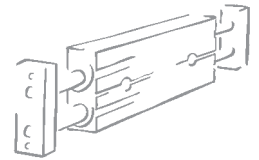


Codes	Ø	A	B	C	C1	C2	C3	C4	D	E	F	G	H	L	M	N	P	Q	R	R1 ^{H7}	S	S1	T
W1460163...*	16	22	56	10	85	2	109	99	5	37.5	1.5	11	12	10	2	4.3	8	4	M4	4	6	3	4.3
W1460203...*	20	26	66	10	99	2	127	115	6	44.5	1.5	13	14	12	2	5.5	9	5	M4	4	7	3	4.3
W1460253...*	25	32	78	10	105	2	137	123	7	47.5	2.5	16	17	14	2	6.5	10.5	6	M5	4	7	3	5.2
W1460303...*	30	36	98	10	128	2	164	148	8	59	2.5	18	19	16	2	8.5	14	8	M6	6	8	5	5.2

*Enter required stroke

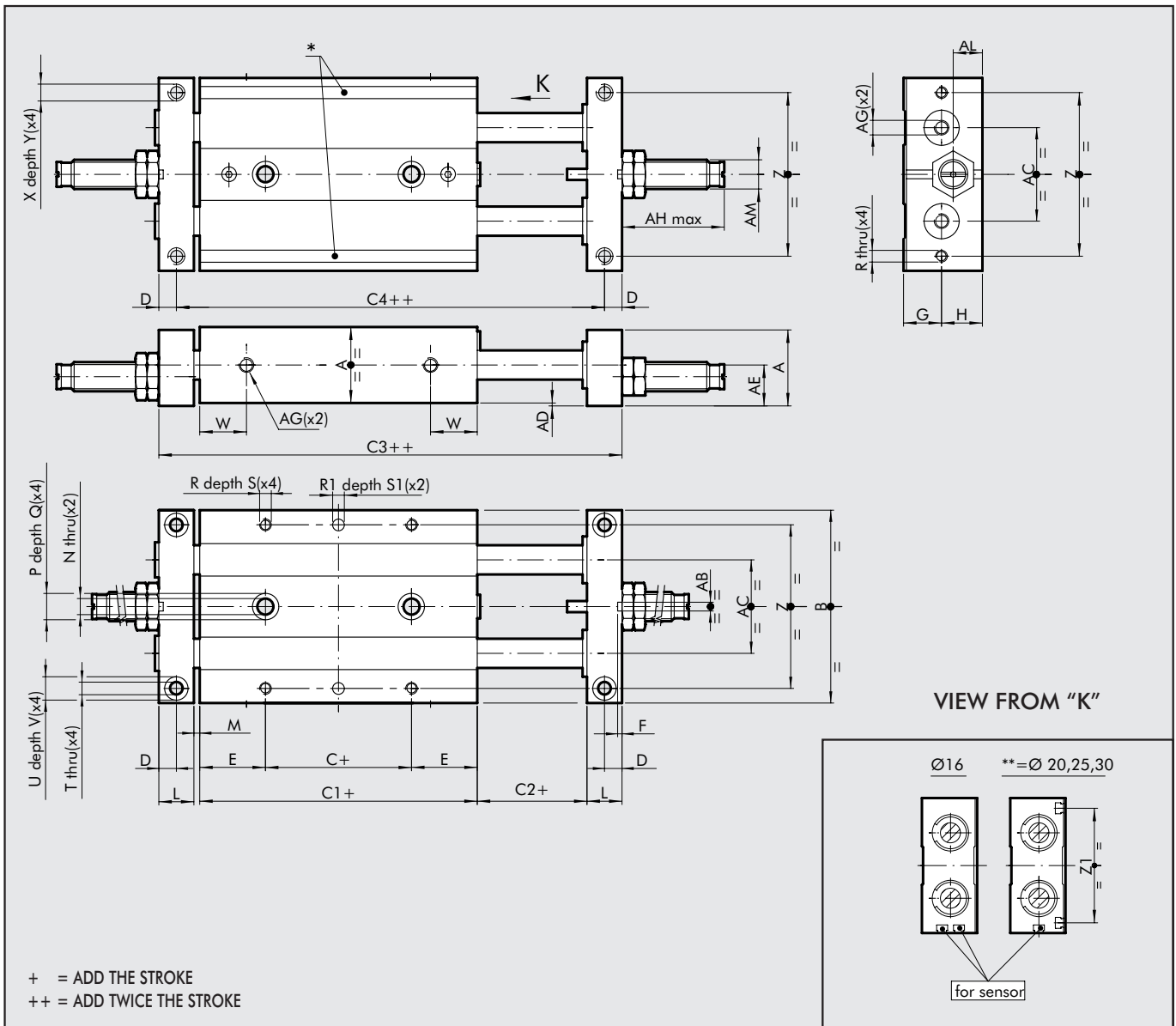
Ø	U	V	W	X	Y	Z	Z1	AB	AC	AD	AE	AF	AG	AH	AM	AL
16	8	4	33	M5	8	46	-	3	26	1	12	5	M5	M6	M10 x 1	8.5
20	8	4	40	M5	10	56	54	3	30	1	14	5	M5	M8	M10 x 1	9
25	9	5	42	M6	6	66	64	5	39	1	17	6	M5	M10	M12 x 1	10
30	9	5	50	M6	12	86	82	5	52	1	19	6	G 1/8	M12	M14 x 1.5	12

Strokes for bore 12 mm 25; 50; 75; 100
 Strokes for bore 16 mm 25; 50; 75; 100; 125
 Strokes for bore 20 mm 25; 50; 75; 125; 150
 Strokes for bore 25 mm 25; 50; 75; 125; 150



DIMENSIONS OF TWIN-CYLINDER SLIDE WITH SHOCK ABSORBERS SERIES S12 - Ø 16-30

1



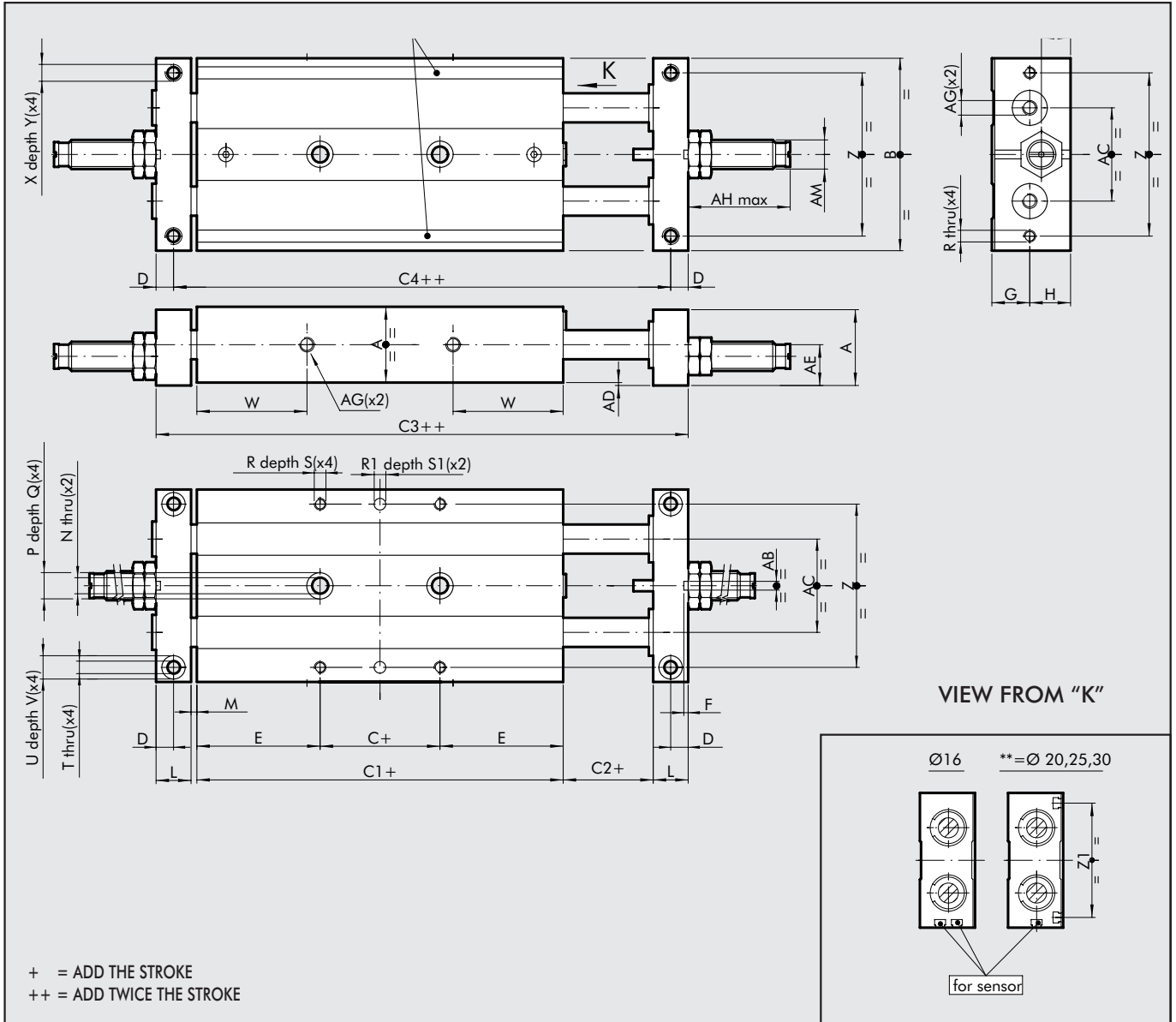
Codes	Ø	A	B	C	C1	C2	C3	C4	D	E	F	G	H	L	M	N	P	Q	R	R1 ^{H7}	S	S1	T
W1460164...*	16	22	56	10	50	2	74	64	5	20	1.5	11	12	10	2	4.3	8	4	M4	4	6	3	4.3
W1460204...*	20	26	66	10	55	2	83	71	6	22.5	1.5	13	14	12	2	5.5	9	5	M4	4	7	3	4.3
W1460254...*	25	32	78	10	60	2	92	78	7	25	2.5	16	17	14	2	6.5	10.5	6	M5	4	7	3	5.2
W1460304...*	30	36	98	10	70	2	106	90	8	30	2.5	18	19	16	2	8.5	14	8	M6	6	8	5	5.2

*Enter required stroke

Ø	U	V	W	X	Y	Z	Z1	AB	AC	AD	AE	AF	AG	AH	AM	AL
16	8	4	15	M5	8	46	-	3	26	1	12	5	M5	35	M10 x 1	8.5
20	8	4	16	M5	10	56	54	3	30	1	14	5	M5	35	M10 x 1	9
25	9	5	19	M6	12	66	64	5	39	1	17	6	M5	36	M12 x 1	10
30	9	5	21	M6	12	86	82	5	52	1	19	6	G 1/8	60	M14 x 1.5	12

Strokes for bore 16 mm 25; 50; 75; 100
 Strokes for bore 20 mm 25; 50; 75; 100; 125
 Strokes for bore 25 mm 25; 50; 75; 125; 150
 Strokes for bore 30 mm 25; 50; 75; 125; 150

DIMENSIONS OF TWIN-CYLINDER SLIDE WITH SHOCK ABSORBERS SERIES S12 - Ø 16-30

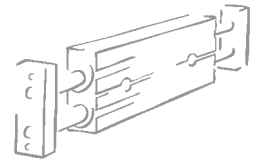


Codes	Ø	A	B	C	C1	C2	C3	C4	D	E	F	G	H	L	M	N	P	Q	R	R1 ^{H7}	S	S1	T
W1460165...*	16	22	56	10	85	2	109	99	5	37.5	1.5	11	12	10	2	4.3	8	4	M4	4	6	3	4.3
W1460205...*	20	26	66	10	99	2	127	115	6	44.5	1.5	13	14	12	2	5.5	9	5	M4	4	7	3	4.3
W1460255...*	25	32	78	10	105	2	137	123	7	47.5	2.5	16	17	14	2	6.5	10.5	6	M5	4	7	3	5.2
W1460305...*	30	36	98	10	128	2	164	148	8	59	2.5	18	19	16	2	8.5	14	8	M6	6	8	5	5.2

*Enter required stroke

Ø	U	V	W	X	Y	Z	Z1	AB	AC	AD	AE	AF	AG	AH	AM	AL
16	8	4	33	M5	8	46	-	3	26	1	12	5	M5	35	M10 x 1	8.5
20	8	4	40	M5	10	56	54	3	30	1	14	5	M5	35	M10 x 1	9
25	9	5	42	M6	6	66	64	5	39	1	17	6	M5	36	M12 x 1	10
30	9	5	50	M6	12	86	82	5	52	1	19	6	G 1/8	60	M14 x 1.5	12

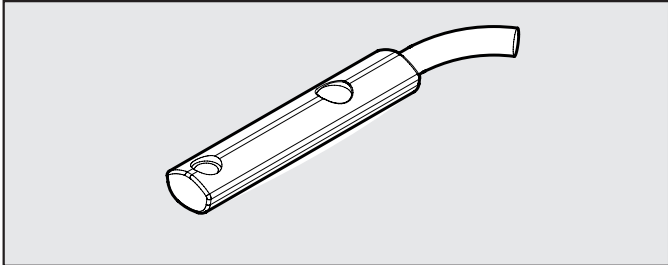
Strokes for bore 16 mm 25; 50; 75; 100
 Strokes for bore 20 mm 25; 50; 75; 100; 125
 Strokes for bore 25 mm 25; 50; 75; 125; 150
 Strokes for bore 30 mm 25; 50; 75; 125; 150



ACCESSORIES

RETRACTABLE SENSOR WITH INSERTION FROM ABOVE, FOR SLIDE S12 Ø16 ÷ 30

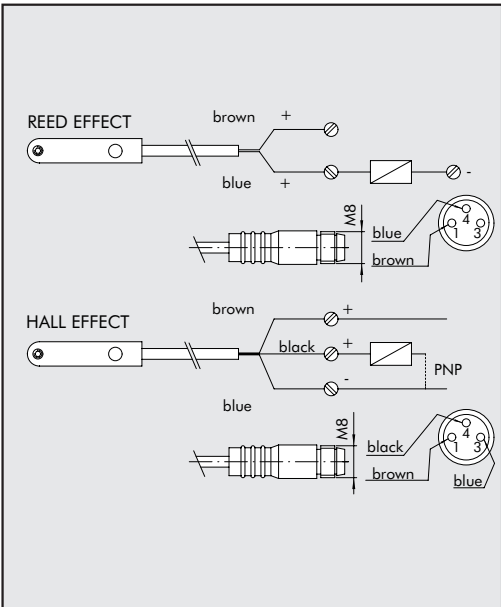
1



Code	Description
W0952025390	HALL N.O. SENSOR, VERTICAL INSERTION 2.5m
W0952029394	HALL N.O. SENSOR, VERTICAL INSERTION 300 mm M8
W0952022180	REED N.O. SENSOR, VERTICAL INSERTION 2.5m
W0952028184	REED N.O. SENSOR, VERTICAL INSERTION 300 mm M8
W0952125556	HALL N.O. SENSOR, VERTICAL INSERTION 2m ATEX

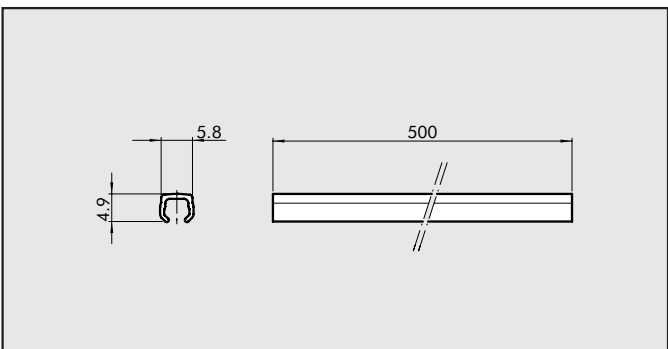
This type of sensor can be inserted in the slot of the sensor from above. This means the cylinder heads do not require a through opening.

WIRING DIAGRAM TECHNICAL DATA ATEX



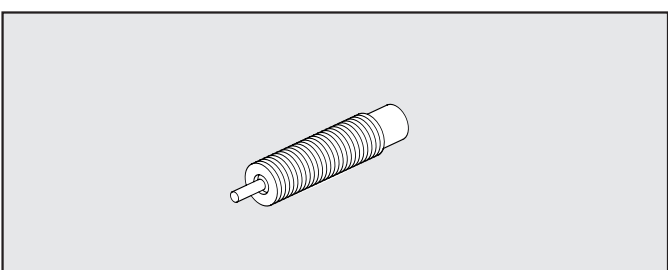
	Reed	Effetto Hall	Effetto Hall
Type of contact	N.O.	N.O.	N.O.
Switch	-	PNP	PNP
Supply voltage (U _b)	V 10 ÷ 30 AC/DC	10 ÷ 30 DC	18 ÷ 30 DC
Power	W 3 (peak valve=6)	3	≤ 1.7
Voltage variation	-	≤ 10% di U _b	≤ 10% di U _b
Voltage drop	-	≤ 2	≤ 2.2
Input current	mA -	≤ 10	≤ 10
Output current	mA ≤ 100	≤ 100	≤ 70
Switching frequency	Hz ≤ 400	≤ 5	1000
Short-circuit protection	-	Yes	Yes
Over-voltage suppression	-	Yes	Yes
Polarity inversion protection	-	Yes	Yes
EMC	EN 60 947-5-2	EN 60 947-5-2	EN 60 947-5-2
LED display	Yellow	Yellow	Yellow
Magnetic sensitivity	2,8 mT ±25%	2,8 mT ±25%	2.6
Repeatability	≤ 0,1 mT	≤ 0,1 mT	≤ 0,1 (U _b and ta fixed)
Degree of protection (EN 60529)	IP 67	IP 67	IP 68, IP 69K
Vibration and shock resistance	30 g, 11 ms, 10÷55 Hz, 1mm	30 g, 11 ms, 10÷55 Hz, 1mm	30 g, 11 ms, 10÷55 Hz, 1mm
Temperature range	°C -25 ÷ +75	-25 ÷ +75	-20 ÷ +45
Sensor capsule material	PA66 + PA6I/6T	PA66 + PA6I/6T	PA
2.5m/2m connecting cable	PVC; 2 x 0,12 mm ²	PVC; 3 x 0,14 mm ²	PVC; 3 x 0,12 mm ²
Connecting cable with M8x1	Polyurethane; 2 x 0,14 mm ²	Polyurethane; 3 x 0,14 mm ²	-
Wire NO.	2	3	3

BAR FOR GROOVING Code Description



W0950000160	BAR FOR GROOVING L=500 mm
Note: the code corresponds to 1 piece	

SHOCK ABSORBERS Code Ø Description



0950004002	ø16-20	Shock absorbers PM10 MF2 + nut M10x1
0950004003	ø25	Shock absorbers PR015 MF1 + nut M12x1
0950004004	ø30	Shock absorbers PR025 MC2 + nut M14x1.5