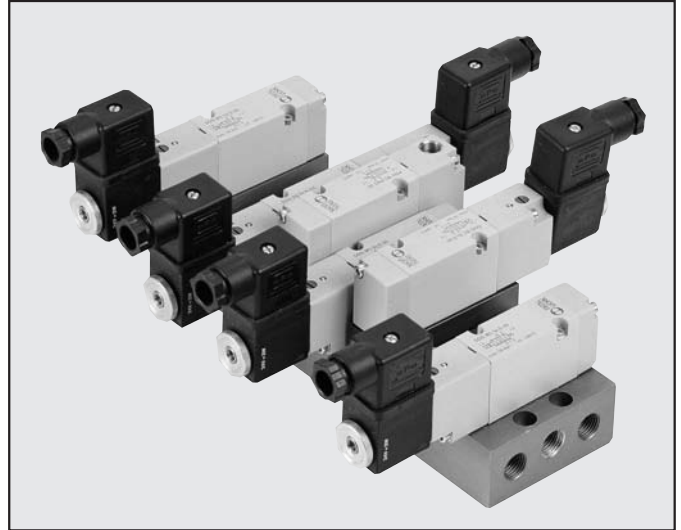


VALVES SERIES 70, ON BASE

The series 70 valves on base, available in the air- and solenoid-actuated versions, is an excellent clean solution for use when it is necessary to intervene on the valves without disconnecting the pipes. Here, the inlet, output and utility ports are in the base.

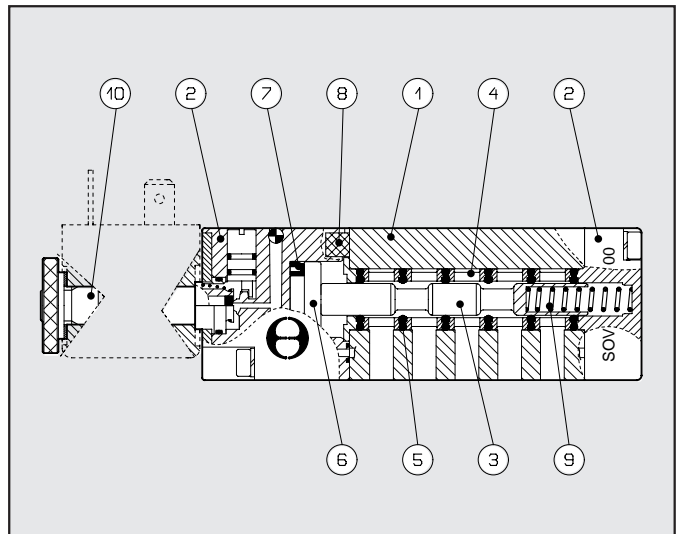
TECHNICAL DATA

Operating pressure:	• monostable	2.5 ÷ 10 bar
	• bistable	1 ÷ 10 bar
	• pilot-assisted	vacuum ÷ 10 bar
Minimum pilot pressure		2.5 bar
Operating temperature range		-10° ÷ +60°C
Nominal diameter		5 mm
Conductance C		107.69 NI/min · bar
Critical ratio b		0.29 bar/bar
Flow rate at 6 Bar ΔP 0.5 Bar		320 NI/min
Flow rate at 6 Bar ΔP 1 Bar		450 NI/min
Maximum torque coil nut		1 Nm

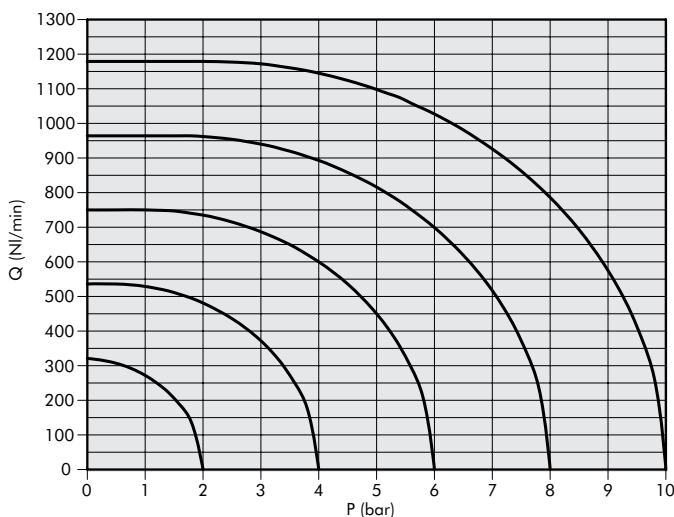


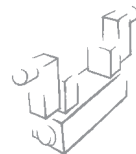
COMPONENTS

- ① VALVE BODY: Aluminium
- ② CONTROL/BASE: HOSTAFORM®
- ③ SPOOL: chemically nickel-plated aluminium
- ④ DISTANCE PLATES: plastic
- ⑤ GASKETS: Nitrile rubber NBR
- ⑥ PISTONS: HOSTAFORM®
- ⑦ PISTON GASKET: Nitrile rubber NBR
- ⑧ FILTER: sintered Bronze
- ⑨ SPRINGS: special steel
- ⑩ OPERATOR: Brass pipe – Stainless steel core

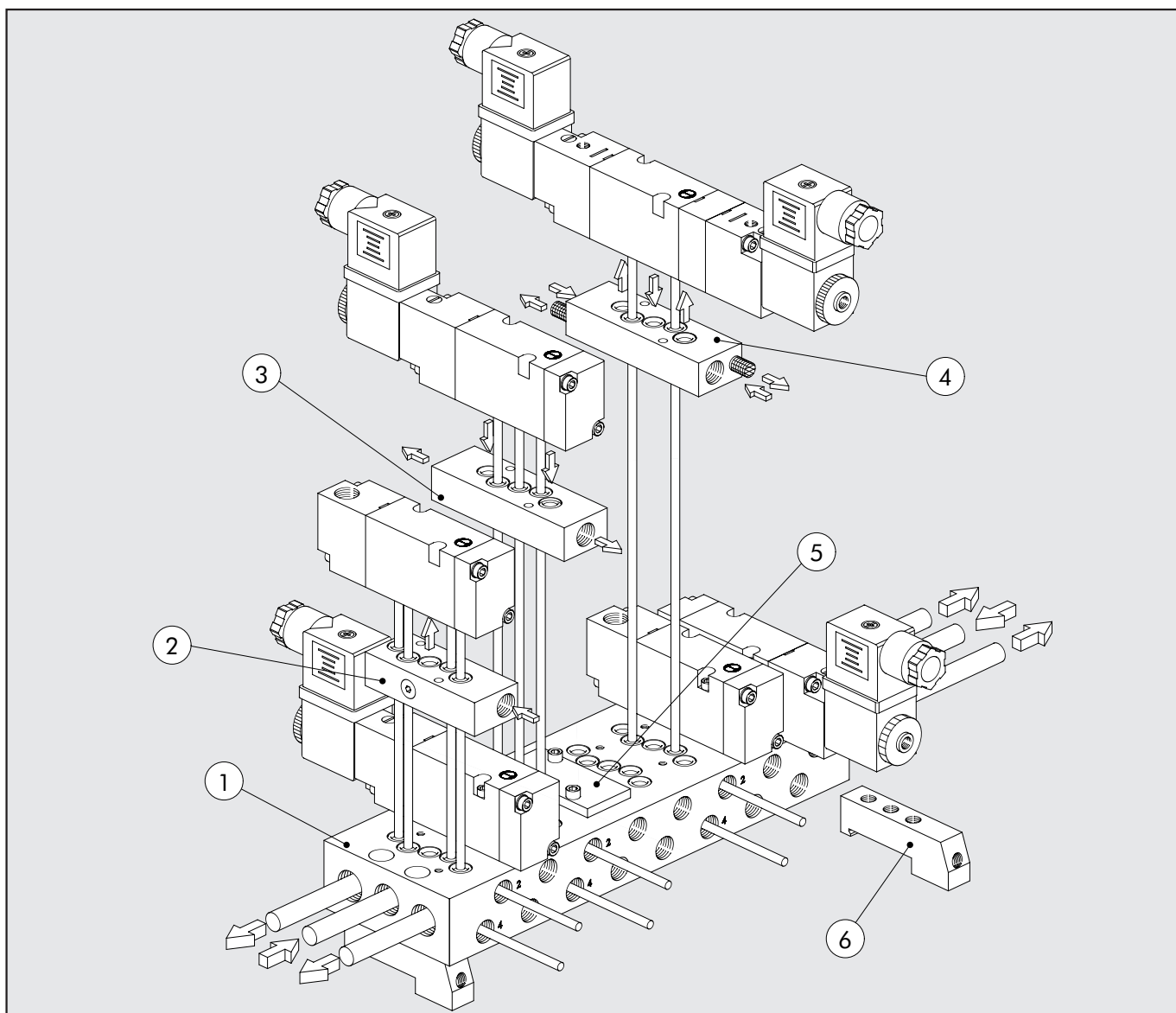


FLOW CHART





MULTI-PURPOSE BASE FOR VALVES SERIES 70 ON BASE



2

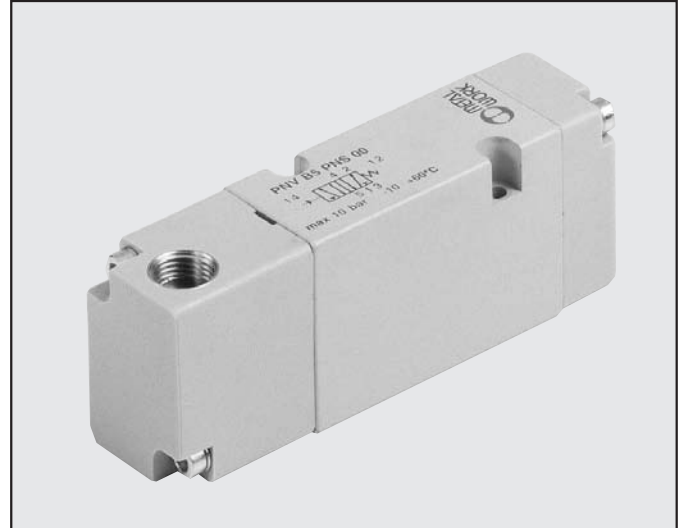
Abbrev.	Description	Abbrev.
①	2-position base 1/8 on base	0223100201
	4-position base 1/8 on base	0223100401
	6-position base 1/8 on base	0223100601
	8-position base 1/8 on base	0223100801
	10-position base 1/8 on base	0223101001
②	Separate feed kit	0223106301
③	Exhaust regulation kit	0223106303
④	Exhaust feed kit	0223106302
⑤	Blanking plate	0223106500
⑥	Ω bar adaptor	0226004600

KEY TO CODES

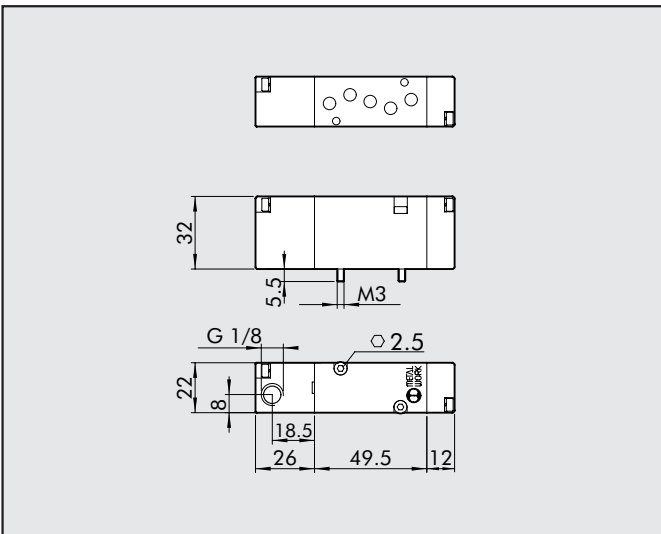
P	N	V	B	5	P	N	S	O	O
FAMILY			PORT	FUNCTION	OPERATORS 14		RESETTING 12	FURTHER DETAILS	
PNV	pneum.		B 1/8" on base	5 5/2	PN	pneumatic	S	OO	5/2
SOV	electro-pneum.			6 5/3	SO	Solenoid valve	B	CC	closed centres
					SE	Solenoid pilot-assisted valve	D	OC	open centres
								PC	pressure centres


TECHNICAL DATA

Operating pressure	Vacuum ÷ 10 bar
Minimum operating pressure	Monostable 2.5 bar Bistable 1 bar
Operating temperature range	-10° ÷ +60°C
Nominal diameter	5 mm
Conductance C	107.69 NI/min · bar
Critical ratio b	0.29 bar/bar
Flow rate at 6 bar ΔP 0.5 bar	320 NI/min
Flow rate at 6 bar ΔP 1 bar	450 NI/min
TRA/TRR monostable at 6 bar	6 ms / 15 ms
TRA /TRR bistable at 6 bar	7 ms / 7 ms

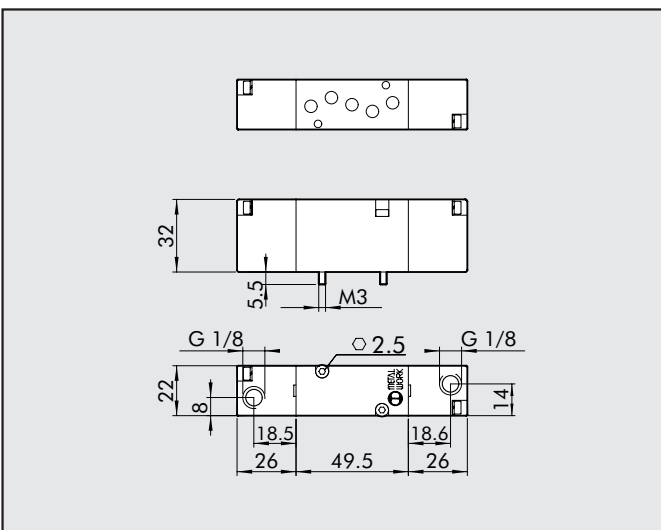




MONOSTABLE 5/2

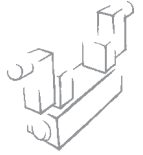


Symbol	Abbrev.	Code	Weight [g]
→  ←	PNV B5 PNS OO	7011011100	125

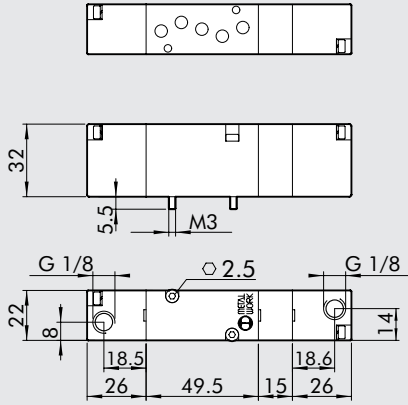
BISTABLE 5/2



Symbol	Abbrev.	Code	Weight [g]
→  ←	PNV B5 PNB OO	7011011200	136
→  ←	PNV B5 PND OO	7011011300	142



MONOSTABLE 5/3



Symbol	Abbrev.	Code	Weight [g]
	PNV B6 PNS CC	7011012100	164
	PNV B6 PNS OC	7011012200	164
	PNV B6 PNS PC	7011012300	164

NOTES

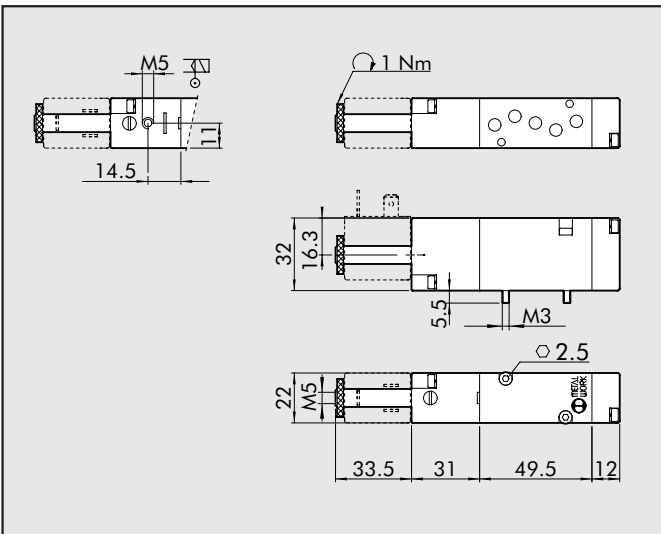
VALVES SERIES 70, SOLENOID/PNEUMATIC ON BASE

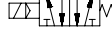

TECHNICAL DATA

Operating pressure	• monostable • bistable • pilot-assisted	2.5 ÷ 10 bar 1 ÷ 10 bar vacuum ÷ 10 bar
Minimum pilot pressure		2.5 bar
Operating temperature range		-10° to 60°C
Nominal diameter		5 mm
Conductance C		107.69 l/min · bar
Critical ratio b		0.29 bar/bar
Flow rate at 6 bar ΔP 0.5 bar		320 l/min
Flow rate at 6 bar ΔP 1 bar		450 l/min
TRA/TRR monostable at 6 bar		15 ms / 35 ms
TRA/TRR bistable at 6 bar		20 ms / 20 ms
Electrical technical data		
Coil voltages		24VDC ÷ 24VAC ÷ 110VAC ÷ 220VAC 50/60Hz
Capacity		2 W (DC) 3 VA (AC)
Voltage tolerance		-10% ÷ +15%
Insulation class		F 155
Maximum torque – coil nut		1 Nm

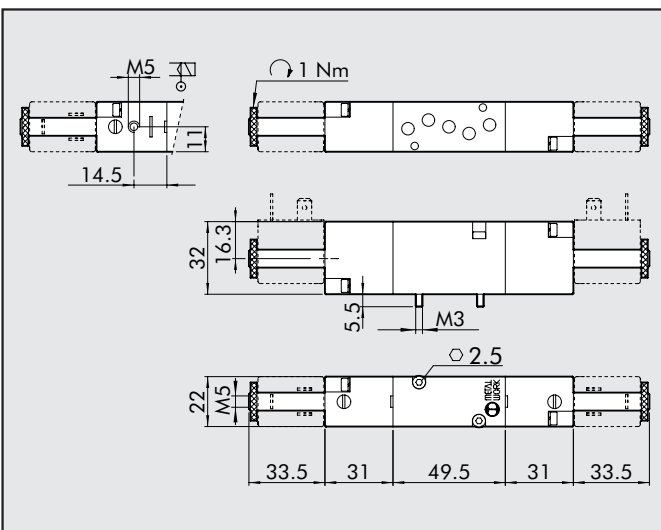



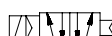
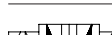
MONOSTABLE 5/2

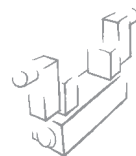


Symbol	Abbrev.	Code	Weight [g]
	SOV B5 SOS OO	7011021100	142
	SOV B5 SES OO	7011021500	143

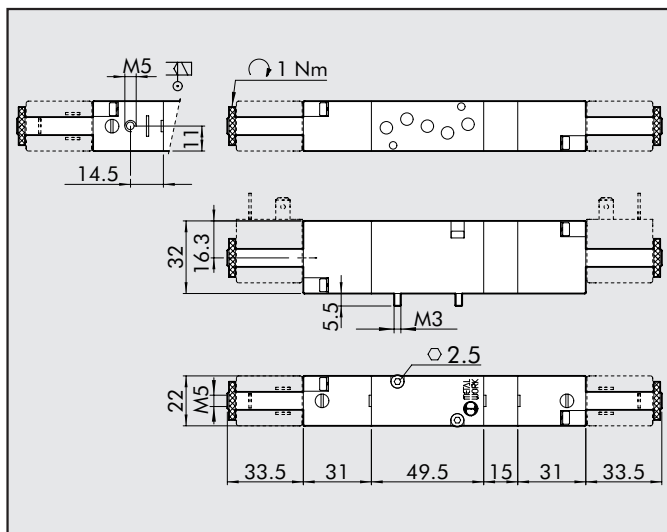
BISTABLE 5/2



Symbol	Abbrev.	Code	Weight [g]
	SOV B5 SOB OO	7011021200	174
	SOV B5 SOD OO	7011021300	180
	SOV B5 SEB OO	7011021600	174



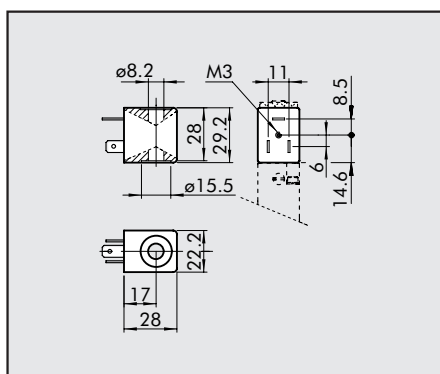
BISTABLE 5/3



Symbol	Abbrev.	Code	Weight [g]
	SOV B6 SOS CC	7011022100	204
	SOV B6 SOS OC	7011022200	204
	SOV B6 SOS PC	7011022300	204
	SOV B6 SES CC	7011022400	202
	SOV B6 SES OC	7011022500	202
	SOV B6 SES PC	7011022600	202

ACCESSORIES: VALVES SERIES 70, ON BASE

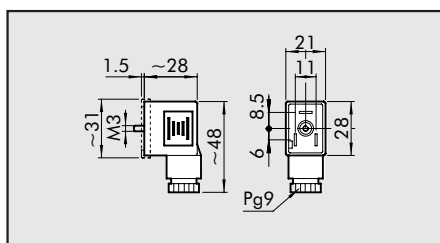
COILS FOR VALVES SERIES 70 SOV ON BASE



- Voltage tolerance: -10% + 15%
- Insulation class: F155
- Degree of protection: IP65 EN60529 with connector
- Avoid prolonged exposure to atmospheric agents
- Coil temperature 100% ED: from 70°C to 20°C – Ambient temperature
- According to Atex 94/9 CE rule, group 2, category 3 GD

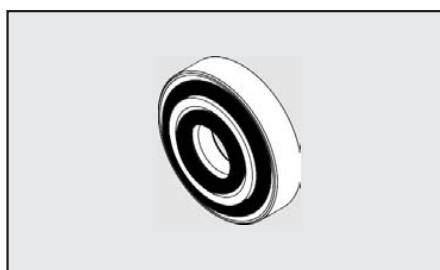
Nominal voltage	Absorption		Abbrev.	Code
	Inrush	Holding		
12Vcc	2W	2W	Coil 22 Ø8 BA 2W-12VDC	W0215000151
24Vcc	2W	2W	Coil 22 Ø8 BA 2W-24VDC	W0215000101
24V 50/60Hz	5.3VA	3.5VA	Coil 22 Ø8 BA 3.5VA-24VAC	W0215000111
110V 50/60Hz	5.3VA	3.5VA	Coil 22 Ø8 BA 3.5VA-110VAC	W0215000121
220V 50/60Hz	5.3VA	3.5VA	Coil 22 Ø8 BA 3.5VA-220VAC	W0215000131

COIL CONNECTORS



Colour	Ø Cable	Type	Code
Black	PG9	Standard	W0970510011
Transparent	PG9	LED 24V	W0970510012
Transparent	PG9	LED 110V	W0970510013
Transparent	PG9	LED 220V	W0970510014
Transparent	PG9	LED + VDR 24V	W0970510015
Transparent	PG9	LED + VDR 110V	W0970510016
Transparent	PG9	LED + VDR 220V	W0970510017

KIT COILS SIDE 22 IP65

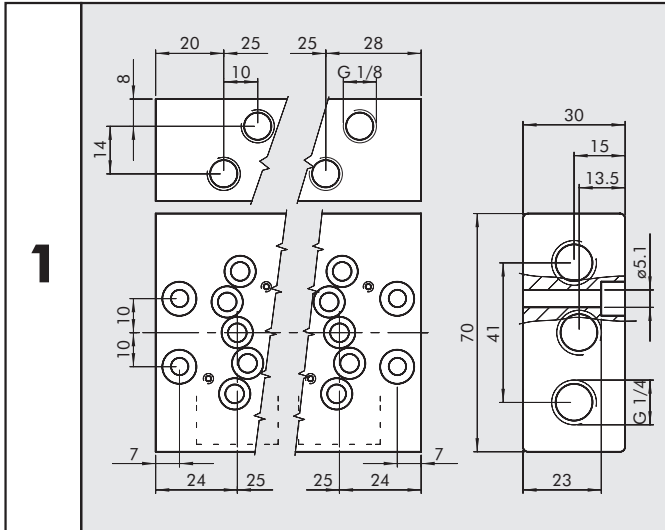


Code	Description
0222100100	KIT FOR COILS 22 - IP65

Improved IP65 protection, even after prolonged exposure to atmospheric agents.
Applicable to valves with a technopolymer control.

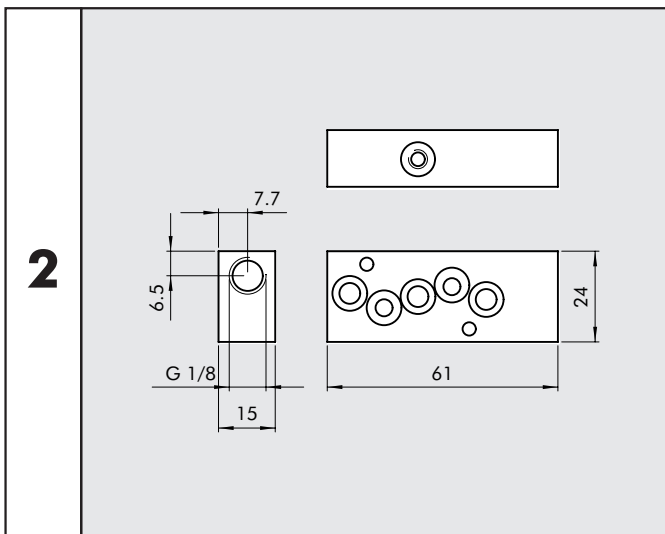
ACCESSORIES: MULTIPLE BASES FOR VALVES SERIES 70, ON BASE

MULTIPLE BASE



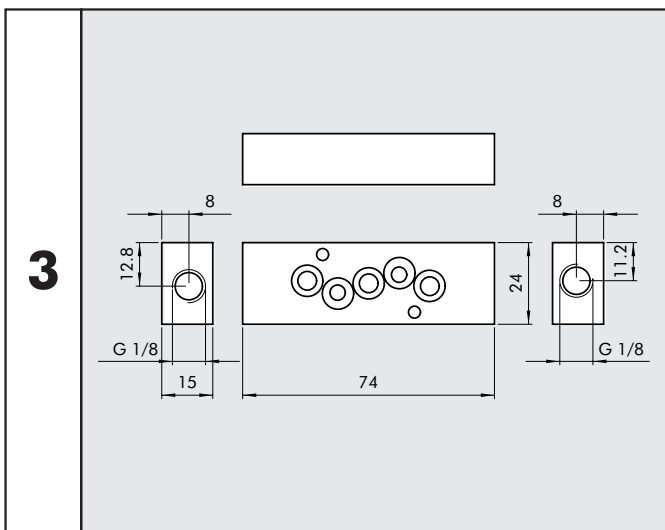
Code	Description	Weight [g]
0223100201	2-POSITION BASE 1/8 ON BASE	341
0223100401	4-POSITION BASE 1/8 ON BASE	591
0223100601	6-POSITION BASE 1/8 ON BASE	855
0223100801	8-POSITION BASE 1/8 ON BASE	1093
0223101001	10-POSITION BASE 1/8 ON BASE	1352

SEPARATE FEED KIT

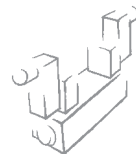


Code	Description	Weight [g]
0223106301	SEPARATE FEED KIT 1/8	65

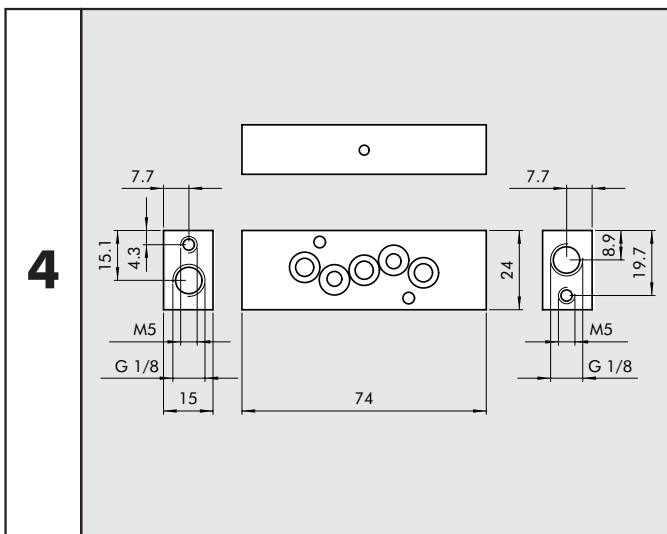
EXHAUST REGULATION KIT



Code	Description	Weight [g]
0223106303	EXHAUST REGULATION KIT 1/8	75

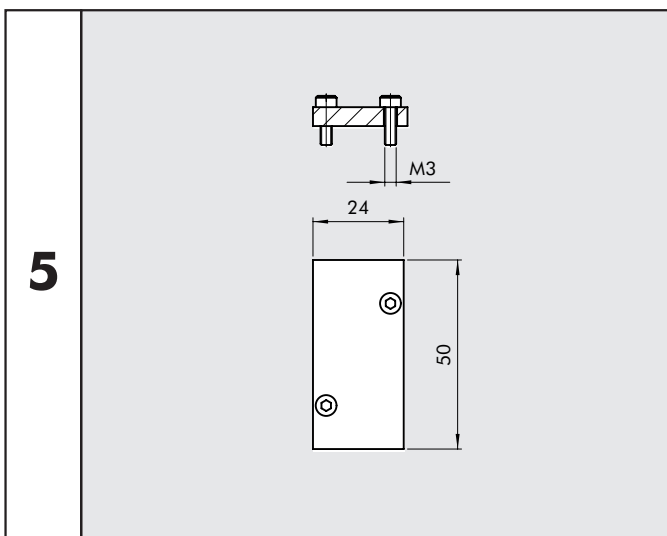


EXHAUST FEED KIT



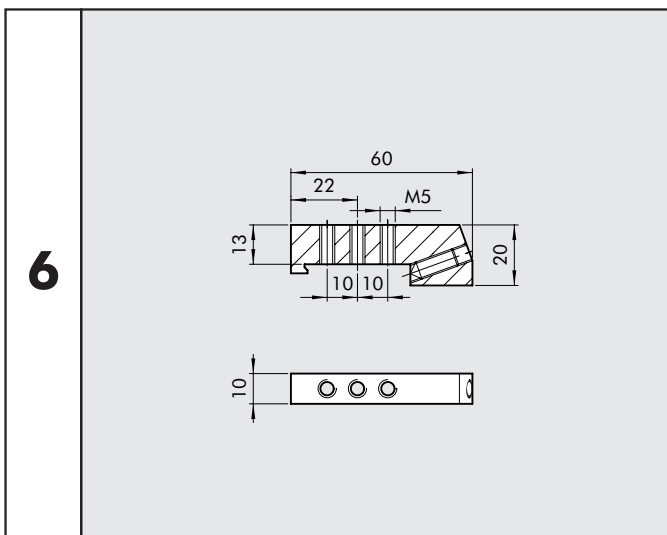
Code	Description	Weight [g]
0223106302	EXHAUST FEED KIT 1/8	75

BLANKING PLATE



Code	Description	Weight [g]
0223106500	BLANKING PLATE 1/8	15

ADAPTER FOR BAR Ω



Code	Description	Weight [g]
0226004600	ADAPTER FOR BAR Ω 1/8"	46

2