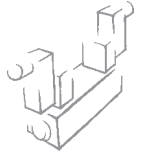


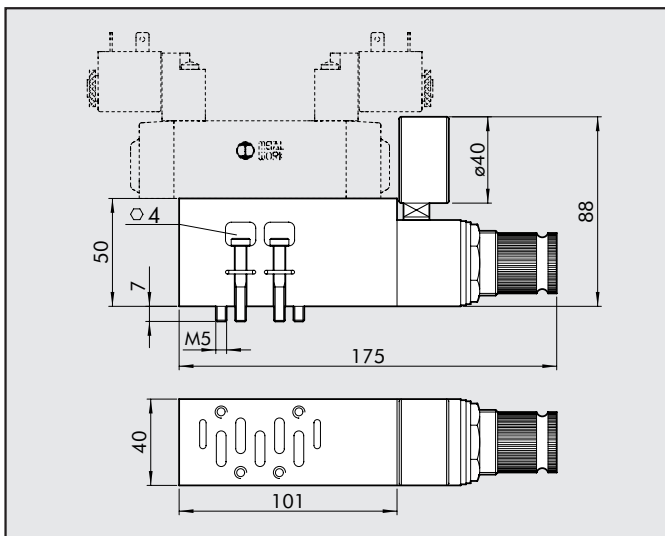
SANDWICH REGULATORS FOR ISO 5599/1 BASES

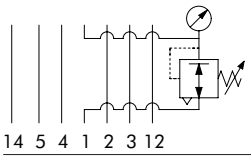
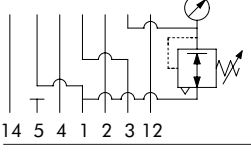


TECHNICAL DATA	ISO 1	ISO 2
Max upstream pressure	13 bar	
Pressure range	0 ÷ 12 bar	
Pressure gauge range	0 ÷ 12 bar	
Flow rate at 6 Bar ΔP 1 Bar	400 NI/min	550 NI/min
Operating temperature range	-10 ÷ +60°C	
Fixing screw on ISO 5599/1 base	M5 ant-extraction	M6 anti-extraction
Installation	in any position	
Instructions for use	Downstream pressure must always be set to increasing values	

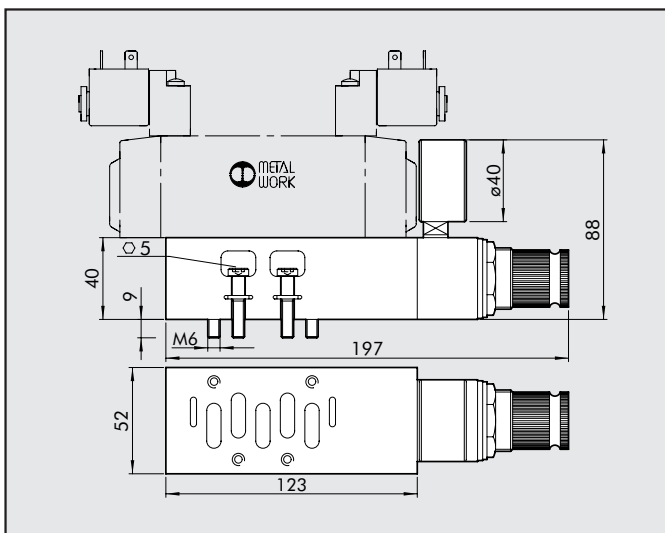


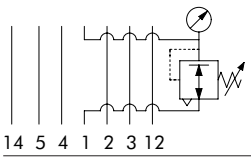
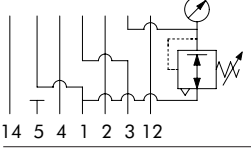
SANDWICH REGULATOR FOR ISO 1 VALVES



Symbol	Abbrev.	Code	Weight [g]
 14 5 4 1 2 3 12	0228000804	Sandwich regulator 1 0 ÷ 12 bar ISO 1	760
 14 5 4 1 2 3 12	0228000814*	Sandwich regulator 3 0 ÷ 12 bar ISO 1	760
*A pilot-assisted valve needs to be used since port 1 relieves pressure, it is not under pressure			

SANDWICH REGULATOR FOR ISO 2 VALVES



Symbol	Code	Description	Weight [g]
 14 5 4 1 2 3 12	0228001804	Sandwich regulator 1 0 ÷ 12 bar ISO 2	900
 14 5 4 1 2 3 12	0228001814*	Sandwich regulator 3 0 ÷ 12 bar ISO 2	900
*A pilot-assisted valve needs to be used since port 1 relieves pressure, it is not under pressure			