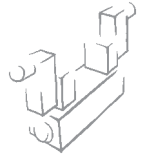


Multimach MM and HDM + B&R



An advanced field bus system interfacing with the Multimach world.

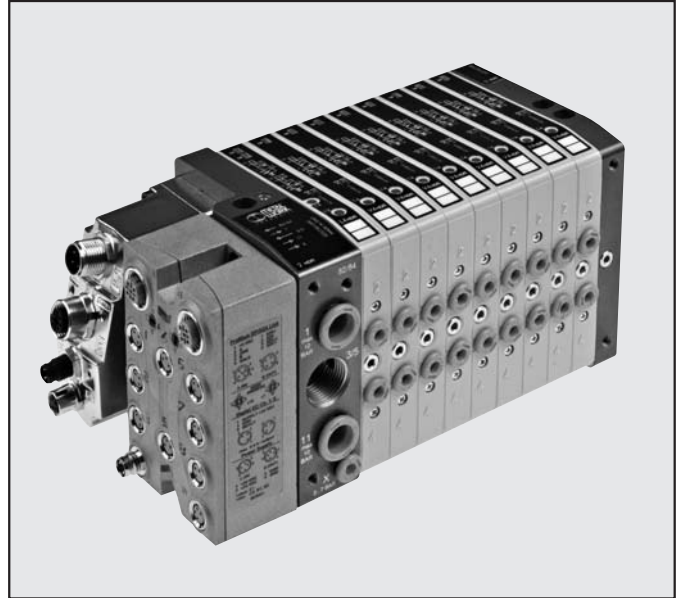
B&R has developed a new standard for automation, called FORMULA X.

For further details about features, functions and qualities of this system, reference must be made to the B&R documentation, also available on the web site www.br-automation.com

An overview is given below.

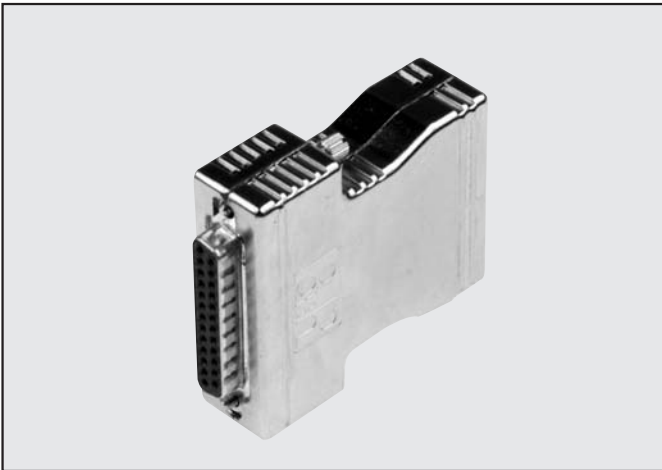
The X-system is a system handling analogue and digital inputs and outputs for local or remote use, which B&R defines as decentralised backplane.

Different types of modules are available. We present those designed for connection with Multimach and HDM valve islands. We only indicate the B&R's code root, since each type of module comes in different variants, that differ by number of signals handled, that can be 8, 16 or 24, and by type of signal, that can be input, output or input/output indifferently. Common to all the modules is the presence of 4 connections: a signal input, a signal output for the following modules, a power input (24V DC), a power output for the following modules.



B&R CONNECTORS AND MODULES

IP20 7XV...50-11 SMART CONNECTOR



It is a plug connector with IP20 protection that contains the X system electronics. It can be connected:

- with Multimach islands, using an axial electric connector support, code 0226180005
- with HDM islands, using the special input end-plate, type 1, code 0227301207 or the special input end-plate type 1-11, code 0227301206.

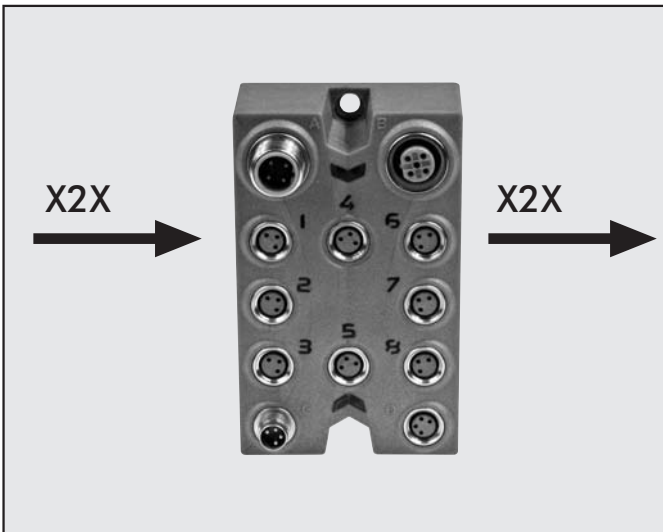
IP67 7XV...50-51 SMART CONNECTOR



It is a plug connector with IP67 protection, that contains the X system electronics. It can be connected:

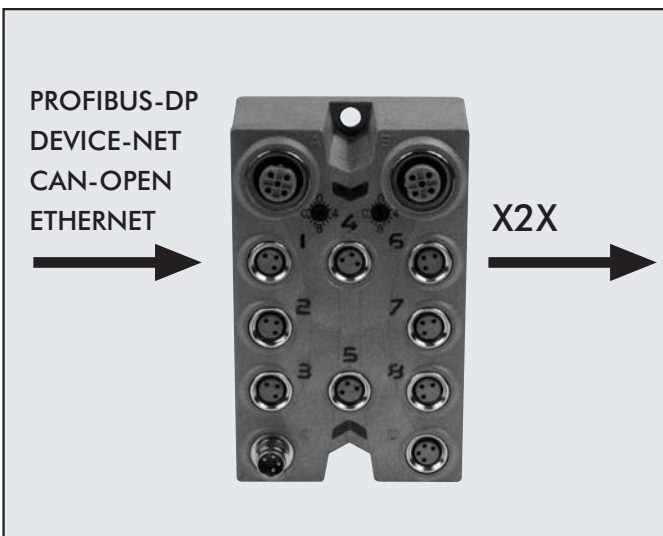
- with Multimach islands, using an axial electric connector, code 0226180005
- with HDM islands, using the special input end-plate type 1, code 0227301207, or the special input end-plate, type 1-11 code 0227301206.

X67 I/O SYSTEM MODULES



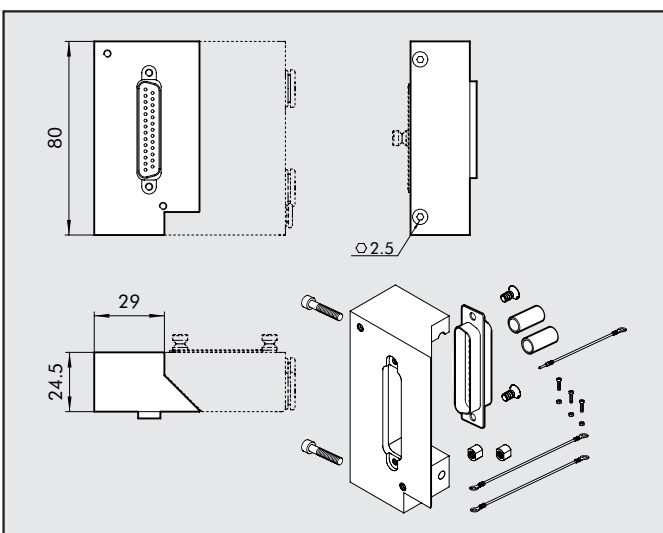
These are modules with IP67 protection, connected to the X system, for handling inputs and outputs. It is interesting to note that their size is such that they can be fixed directly to the HDM input end-plate type 1-11, code 0227301206 (N.B. NOT to be fixed to the HDM end-plate type 1, code 0227301207).

X67 BUS CONTROLLER MODULES

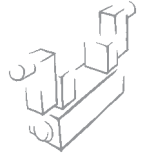


These are modules with protection IP67, receiving a signal according to one of the DP Profibus, CAN open, Device Net, Ethernet Powerlink protocols (the module code differs obviously according to the protocol being controlled). The output signal is according to the X-system. These are gateways converting the signals of a field bus into an X-system. These modules control the inputs and/or outputs via the M8 connectors provided. They can be fixed directly to the HDM input end-plate type 1-11, code 0227301206 (N.B. NOT to be fixed to the HDM end-plate, type 1, code 0227301207).

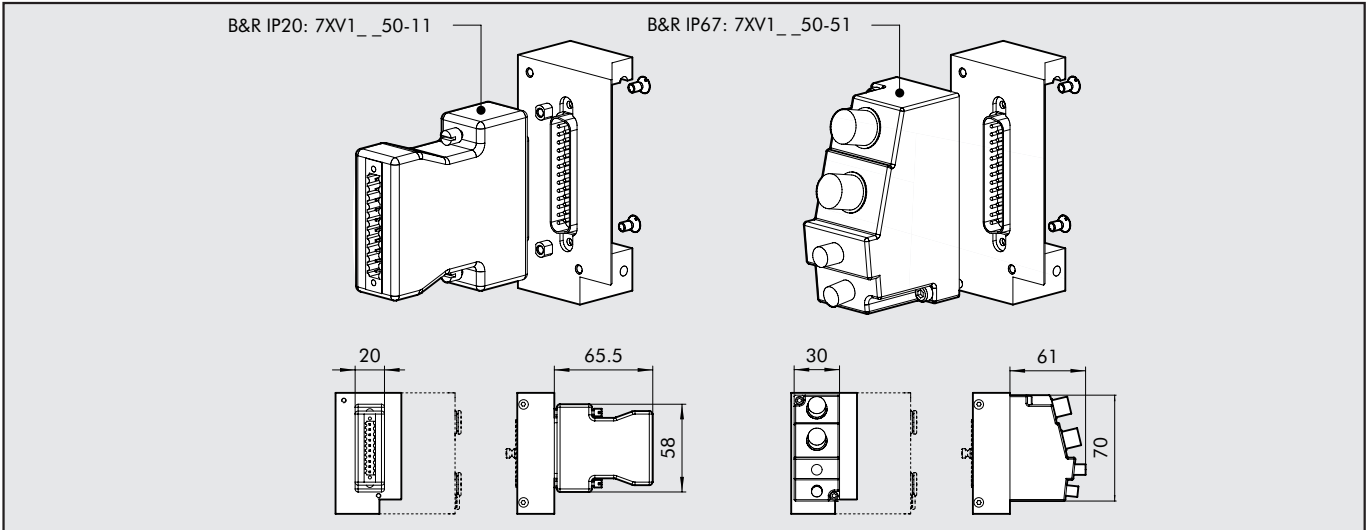
MULTIMACH CONNECTOR SUPPORT FOR B&R



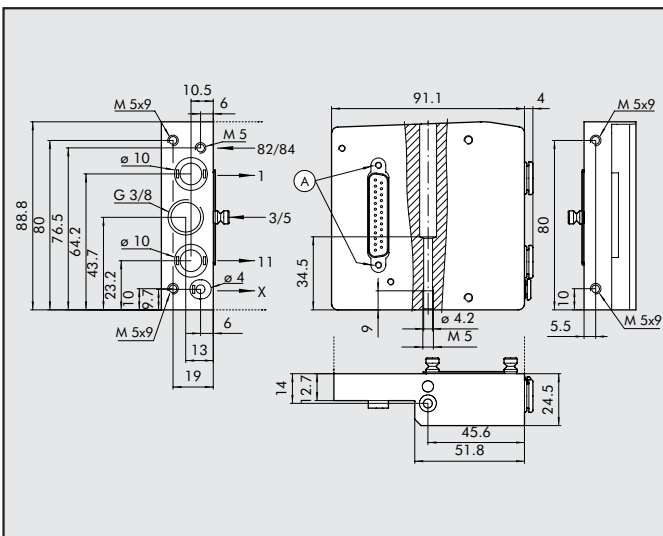
Code	Description	Weight [g]
0226180005	25-pin connector support kit for B&R	140



APPLICATION OF B&R MODULES TO THE MULTIMACH CONNECTOR SUPPORT

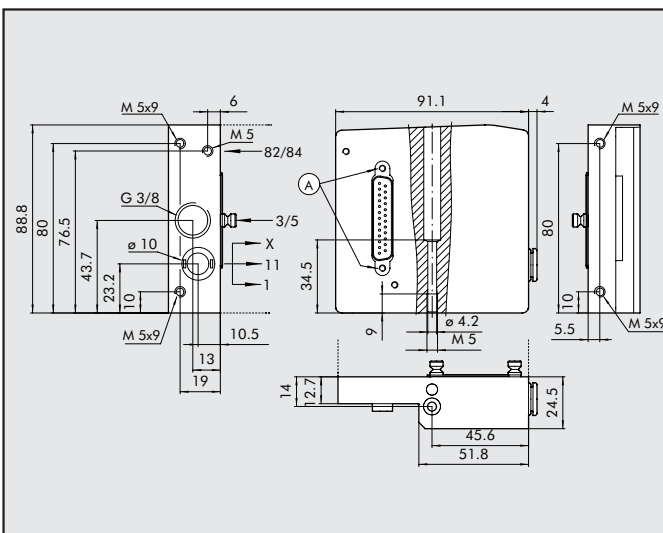


HDM 1-11 TERMINAL FOR B&R



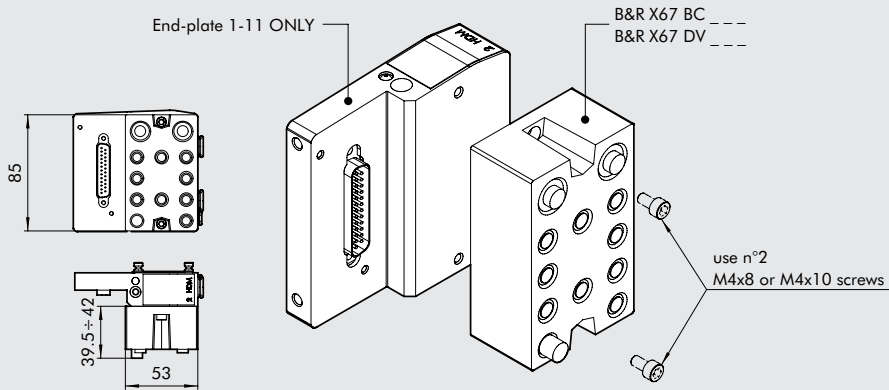
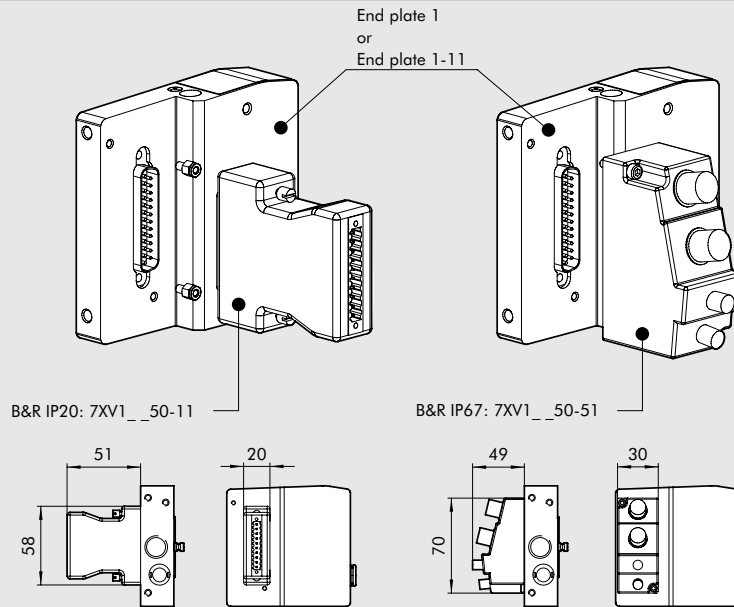
Code	Description	Weight [g]
0227301206	HDM 1-11 end-plate kit for B&R	340

HDM 1 TERMINAL FOR B&R



Code	Description	Weight [g]
0227301207	HDM 1 end-plate kit for B&R	380

APPLICATIONS OF B&R MODULES TO HDM END-PLATES



KEY TO CODES – UNIT HDM FOR B&R

H	D	M	2	B&R	M	16-W8-W6-O4-L8-5	1	6
VALVE			INPUT END-PLATE		MANUAL TYPE		TYPE OF VALVE	
Heavy duty Multimach IP65			2	End-plate1-11	M	I	n° 2 3/2 NC	16
			3	End-plate1	B	W	n° 2 3/2 NO	
				B&R fit for B&R		L	3/2 NO + 3/2 NC	n° 2 brackets for DIN bar
						V	5/2 monostable	
						K	5/2 bistable	
						O	5/3 monostable	
						F*	5/2 monostable	
						5	blind end-plate	
						6	Passing-intermed.	
						7	Blind intermediate	
						20	exhaust section.	
						4	cartridge 4	
						6	cartridge 6	
						8	cartridge 8	

* uses a single PIN (like the V) and occupies 2 signals